



ENGINEERING SPECIFICATION

INSTALLATION INSTRUCTION SHEETS

1.0 SCOPE

This specification consists of installation instructions for the Self Contained Power Connector for 2-wire cable with ground applications.

2.0 PURPOSE

To define material number system for the above instructions.

3.0 REFERENCE MATERIAL NUMBERS

See pages 2-3 for the actual instruction sheets. These pages can be used as originals.

4.0 DEFINITIONS

Not applicable.

5.0 PROCEDURES

Place one (1) instruction sheet in the smallest unit container.

6.0 IMPLEMENTATION

December 6, 2005

REVISION: H	ECR/ECN INFORMATION: EC No: WNA2009-0798 DATE: 2009 / 06 / 03	TITLE: SELF CONTAINED POWER CONNECTOR INSTALLATION INSTRUCTIONS FOR 2 WIRE CABLE WITH GROUND APPLICATIONS	SHEET No. 1 of 3
DOCUMENT NUMBER: SD-19045-002	CREATED / REVISED BY: ETHRODAHL	CHECKED BY: JMACNEIL	APPROVED BY: JMACNEIL

Self Contained Power Connector Installation Instructions For 2 Wire Cable With Ground Applications

The 2-circuit-with-ground connectors will splice non-metallic-sheathed cable in the following wire ranges and types:

Self Contained Connector -

2 Circuit with ground for Solid Wire

Wire Range AWG	Order No.	Optional Hand Tool	Optional Bench Mount Tool	Optional Bench Arbor Press	Housing Color
10	19403-1300	19285-0084	19285-0088	64006-0200	White

Self Contained Connector -

2 Circuit with ground for Stranded Wire

Wire Range AWG	Order No.	Optional Hand Tool	Optional Bench Mount Tool	Optional Bench Arbor Press	Housing Color
14-16	19403-1011	19285-0074	N/A	64006-0200	Blue
12	19403-1010	19285-0074	N/A	64006-0200	Yellow
10	19403-1300	19285-0084	19285-0088	64006-0200	White

Self Contained Connector -

2 Circuit with ground for Round Stranded Cable

Wire Range AWG	Insulation Diameter	Order No.	Optional Hand Tool	Optional Bench Arbor Press	Housing Color	Cover Color
14	.340-.440	19403-1310	19285-0100	64006-0200	White	Clear
14	.600	19403-0011	19285-0100	64006-0200	White	Blue
12	.340-.440	19421-0001	19285-0100	64006-0200	Yellow	Clear
12	.600	19421-0002	19285-0100	64006-0200	Yellow	Blue

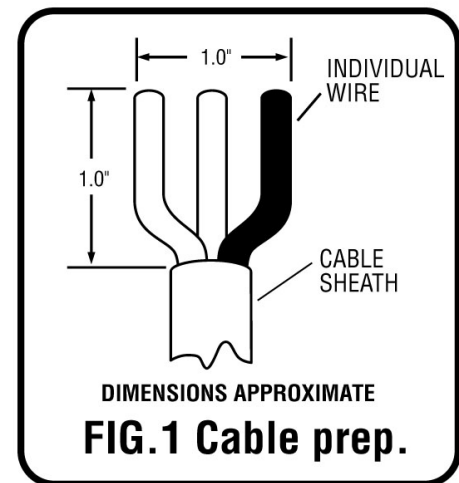


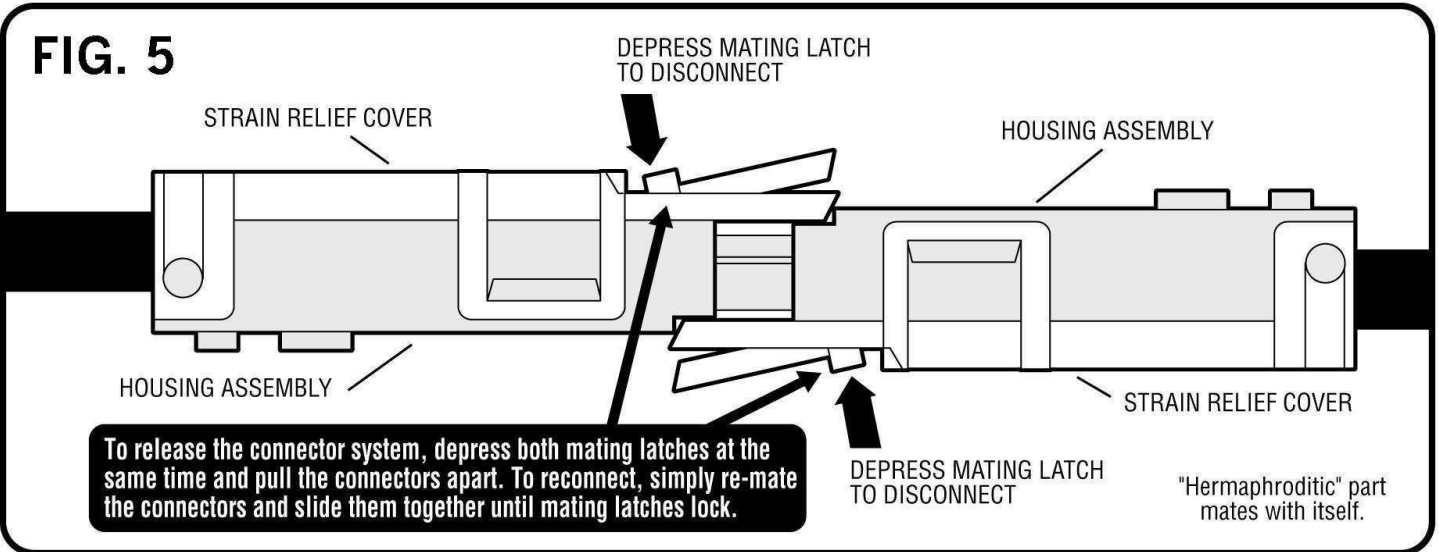
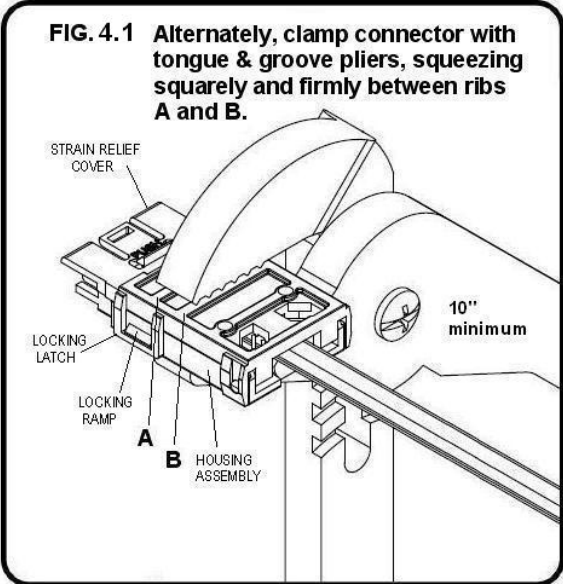
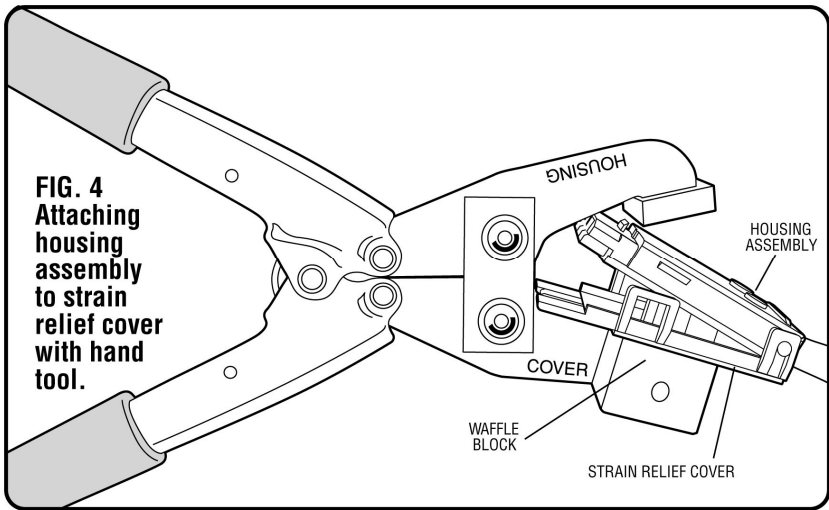
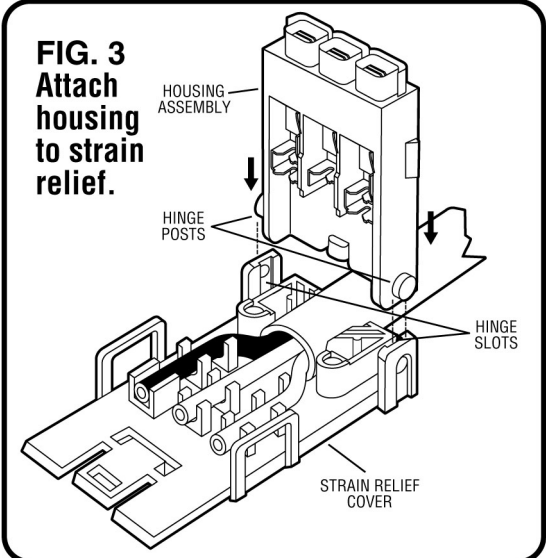
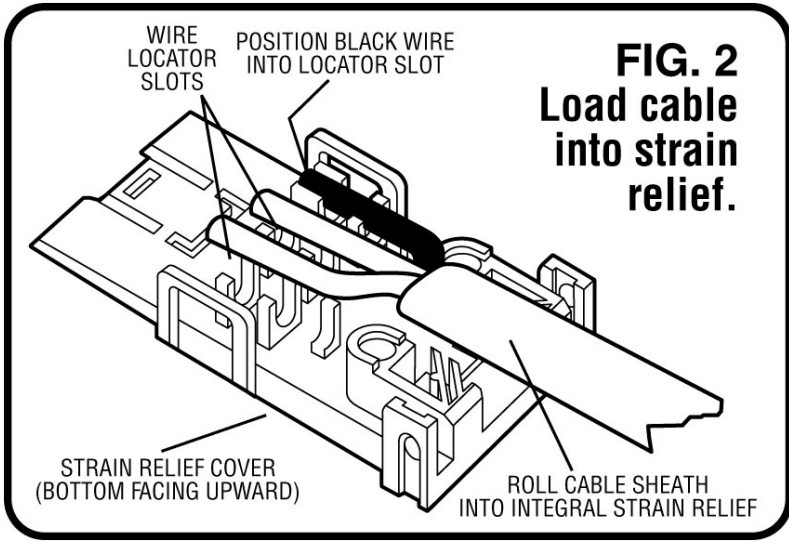
Reference Information

UL File Number: E182087, CSA File Number: LR18689-C53
NEC Article: 550, 551, and 545, HUD Section: 3280.801
16 to 12 AWG Version, Current: 20A, Voltage: 600V.
10 AWG Version, 30A, 600V

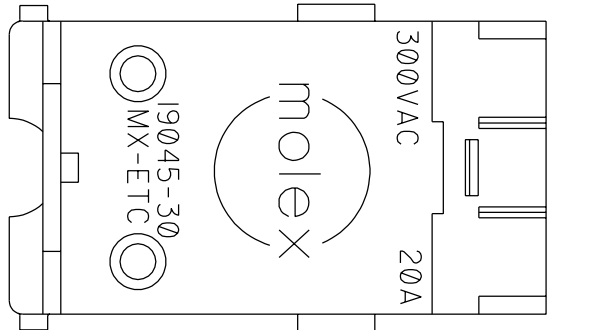
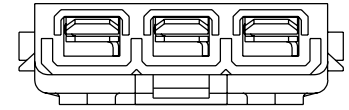
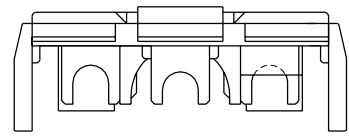
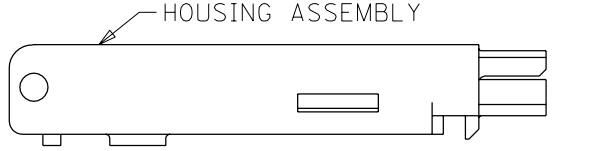
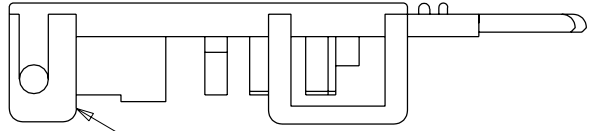
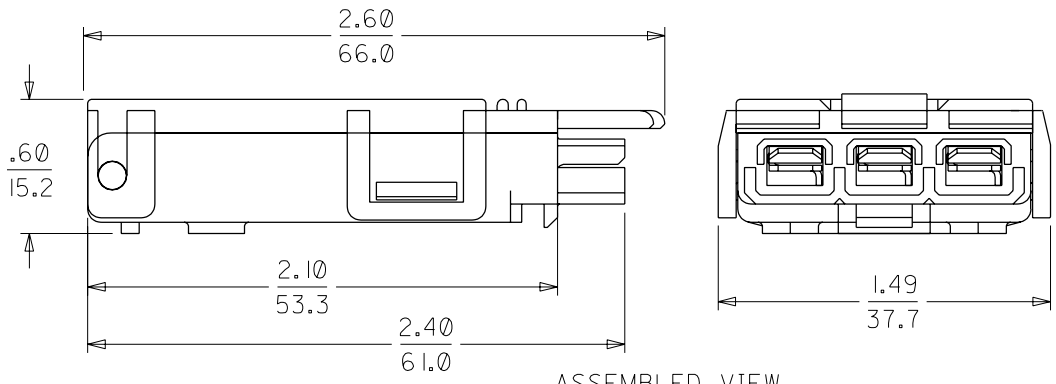
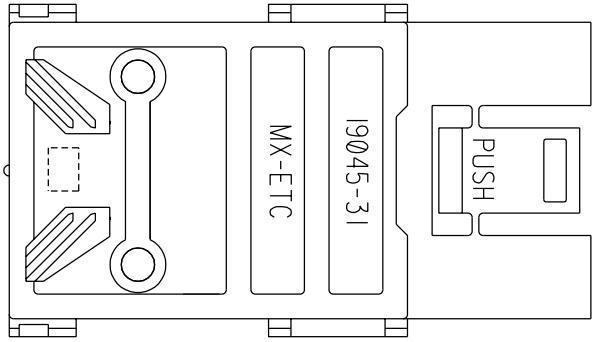
Installation Procedure:

1. Carefully strip and prepare the wires to the configuration as shown in **Figure 1**.
2. Hold the clear strain relief cover with bottom facing upward as shown in **Figure 2**.
3. Lay wire into locator slots, making sure the black wire is placed into the polarization slot as shown in **Figure 2**.
4. Press the cable sheath into the integral strain relief slot as shown in Figure 2. Wires must not extend beyond the stops as shown in Figure 3!
5. While holding the strain relief cover, position the housing's hinge posts into the hinge slots and press down until both lock into place as shown in **Figure 3**.
6. Close the strain relief cover and housing by hand. Place the connector assembly into Molex tool as shown in **Figure 4**. Squeeze the tool until the connector bottoms out and the locking latches engage on both sides. OR alternately, squeeze the top and bottom closed with tongue and groove pliers as shown in **Figure 4.1**. Pliers must be a minimum of 10" long. Squeeze firmly on both sides, squarely across the connector between ribs A and B to ensure wires seat completely into slots.
7. Inspect the connector to ensure the wires have been properly engaged into the housing assembly contacts. A properly terminated wire is fully seated into its proper slots with no significant bow of the cover. If the wires extend past the insulation stops, the wires must be re-terminated with a NEW CONNECTOR. Once the cover has been closed the connector cannot be re-used. Failure to comply with this procedure may result in the failure of the connector.
8. Mating and un-mating the completed connector is illustrated in **Figure 5**.





PART NUMBER	WIRE GAUGE RANGE
194031010 (A)	14-12 AWG
194031011 (A)	16-14 AWG



NOTE: PARTS ARE PACKAGED 50 UNITS PER CONTAINER.

AI	SD-19403-110 WAS SD-19403-101 ETC1999-0072 6/25
A	RELEASE FOR PRODUCTION ET900024 1/25 DAY
LTR.	REVISIONS

DIMENSIONS SHOWN (METRIC) INCH	
UNLESS OTHERWISE SPECIFIED TOLERANCES: ANGULAR ± 1/2°	
	INCH METRIC
3 PLACE	± .005 ± ---
2 PLACE	± .01 ± 0.13
1 PLACE	± --- ± 0.25
DRAFT WHERE APPLICABLE MUST REMAIN WITHIN DIMENSIONS	

REVISE ONLY ON CAD SYSTEM	
TITLE CUSTOMER DRAWING SC POWER CONNECTOR ASSY STRANDED WIRE CABLE	
moLEX ETC INC. PINELLAS PARK, FLA. 33781 U.S.A.	SHEET NO. DATE 99/01/19
PART NO. DRWG. NO.	SEE CHART SD-19403-110 (A)

DRWG. BY: DAY	CHK'D. BY: RWD
APP'D. BY: RWD	SCALE: NO:NE

FILE NAME: 19403110.DGN (A)	THIS DRAWING CONTAINS INFORMATION THAT IS PROPRIETARY TO MOLEX-ETC INC. AND SHOULD NOT BE USED WITHOUT WRITTEN PERMISSION.
DIV.:	SIZE: B