

1 2 3 4 5 6

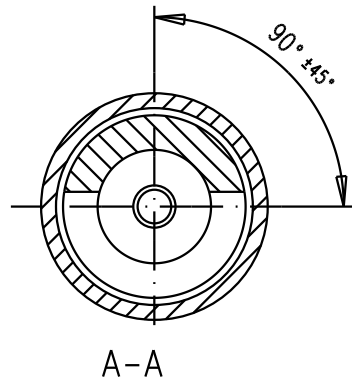
A

B

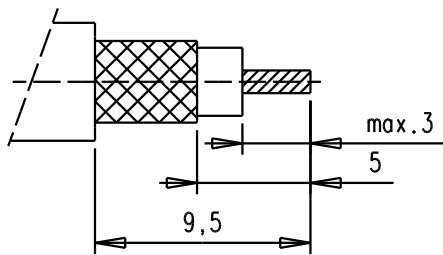
C

D

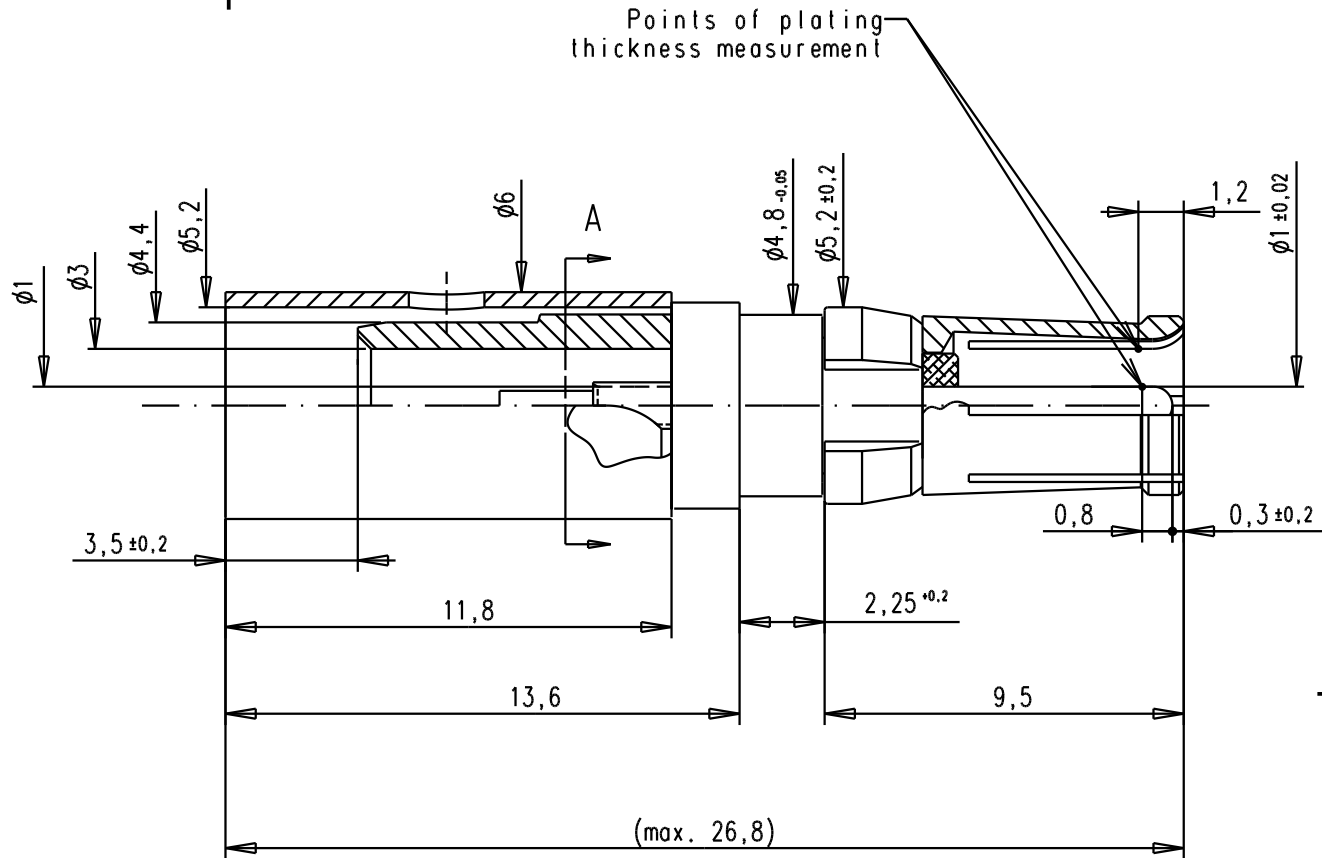
solder pot position:



harnessing dimensions for cables RG 58CU, RG 141AU



Crimping tool of outer conductor:
 hand tool: 09 99 000 0503 00
 die: 09 99 000 0515 00
 cavity A



							Dat. Name Detail. 30/09/04 TR Insp. Stand. All Dim. in mm Orig. Size DIN A 4		Female coaxial contact, 50 Ω, straight cable termination inner conductor for solder termination outer conductor for solder or crimp termination		Maßstab/ Scale 5:1
09691817143	Mating area	0,2 µm Au	0,2 µm Au					TB 09 69 181 X143		Blatt/ Page 1 / 1	
	Termination area	5 µm Sn	0,2 µm Au								
09691815143	Mating area	0,8 µm Au	1,3 µm Au	32486	13/12/04	TR	HARTING EURL F-95972 Paris		Sub.		
	Termination area	0,2 µm Au	1,3 µm Au	32233	30/09/04	TR					
Part number	Plating	outer conductor	inner conductor	Mod.	Dat.	Name					

