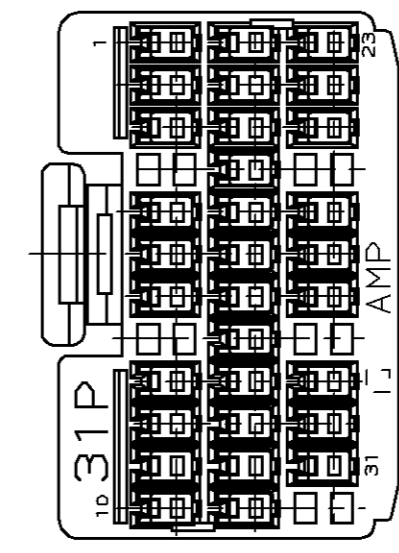
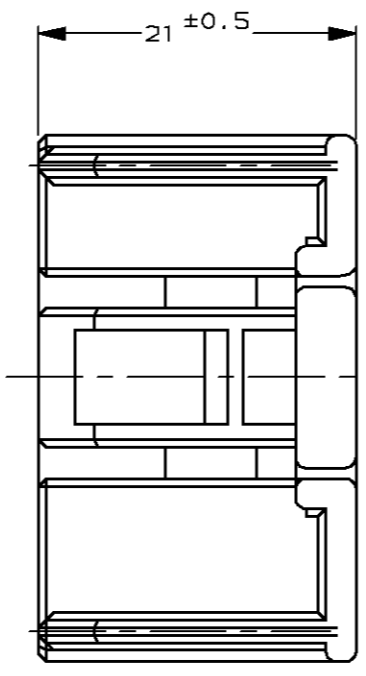
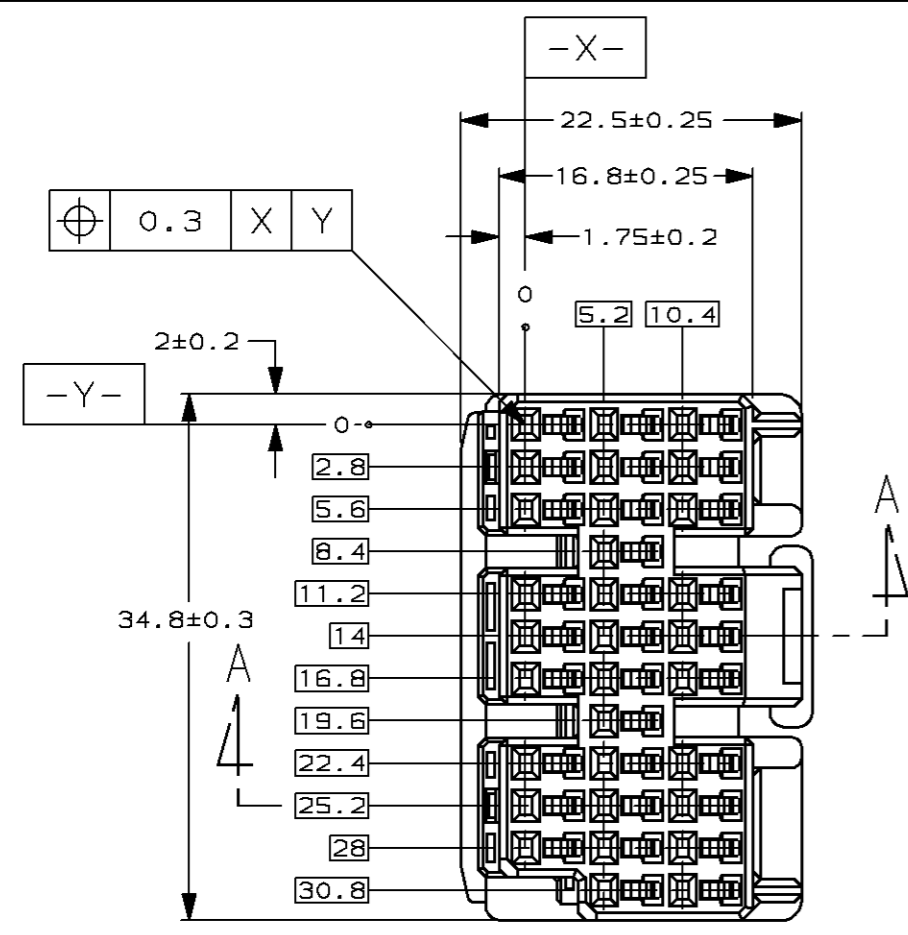
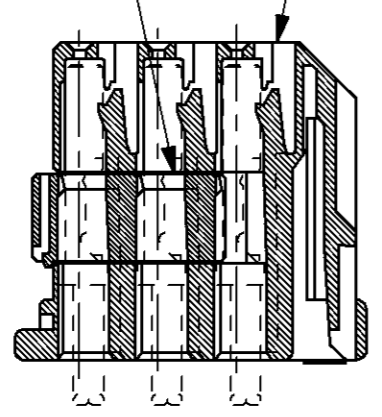


THIS DRAWING IS UNPUBLISHED. RELEASED FOR PUBLICATION, 19 .
 © COPYRIGHT 19 BY AMP INCORPORATED. ALL RIGHTS RESERVED.

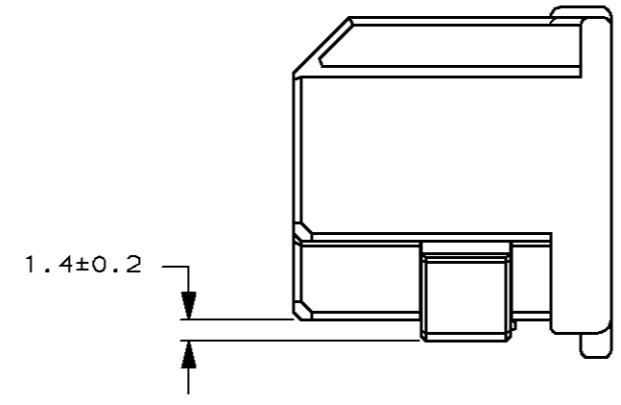
LOC	DIST	REVISIONS			
P	LTR	DESCRIPTION	DATE	DWN	APVD
FX	55	C	REVISE PER EC 0K80-0103-98	7-31-98	JLM RS



DOUBLE LOCK PLATE — PLUG HOUSING



SECTION A-A



NOTES;

1. THE MATING CAP HOUSING PART NUMBER, 179684, 179686
2. APPLIED CONTACT PART NUMBER, 175265

BLUE	179680-5
COLOR	P/N

THIS DRAWING IS A CONTROLLED DOCUMENT.		DWN	J MCNEAL	7-31-98	AMP Incorporated Harrisburg, PA 17105-3608				
DIMENSIONS:		CHK	R SMITH	7-31-98					
TOLERANCES UNLESS OTHERWISE SPECIFIED:		APVD	R SMITH	7-31-98					
mm 		PRODUCT SPEC	108-5441						
0 PLC ±- 1 PLC ±- 2 PLC ±0.15 3 PLC ±- 4 PLC ±- ANGLES ±3°		APPLICATION SPEC	-		NAME	.040II HDH I/O CONNECTOR 31 POSN PLUG ASSY			
MATERIAL	PBT	FINISH	-		SIZE	CAGE CODE	DRAWING NO	RESTRICTED TO	
-		WEIGHT		8.1 GRAMS	A3 00779		C= 179680	-	
CUSTOMER DRAWING				SCALE	2:1	SHEET	1 OF 1	REV	C