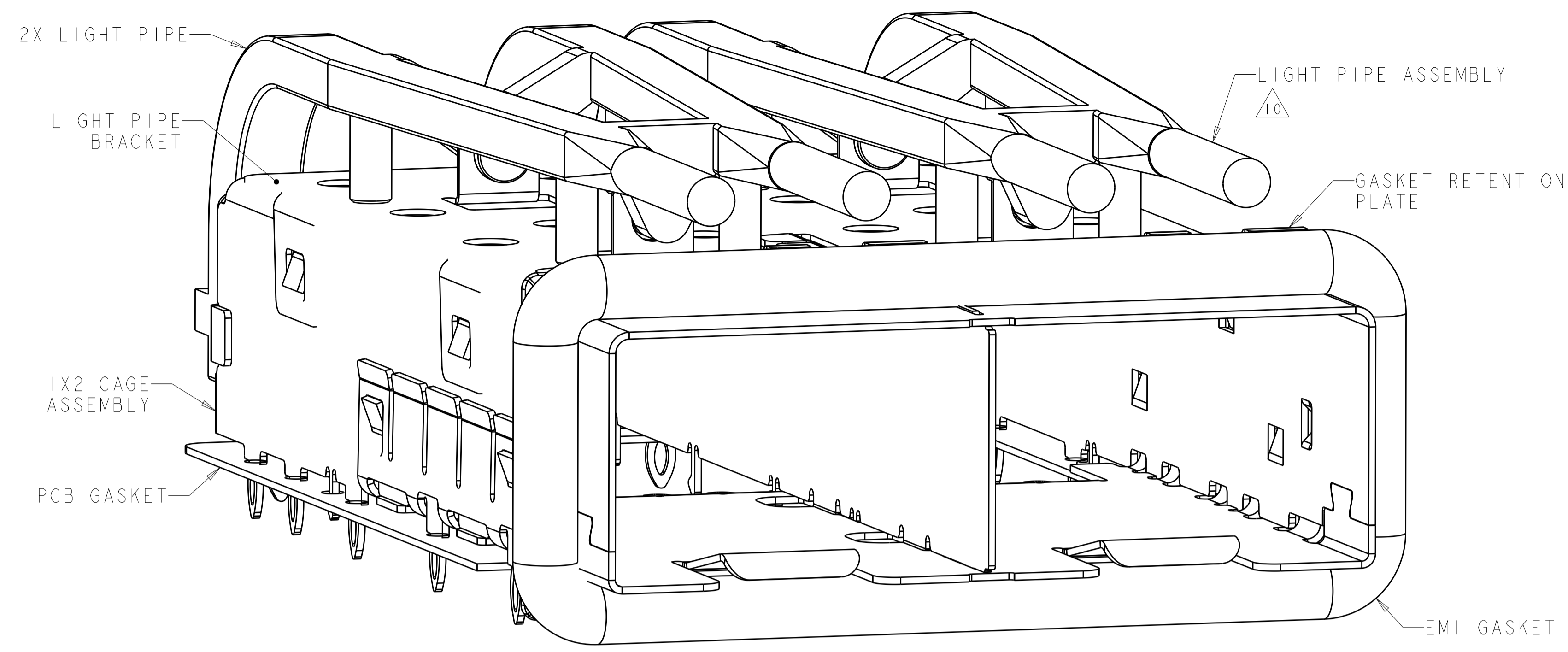
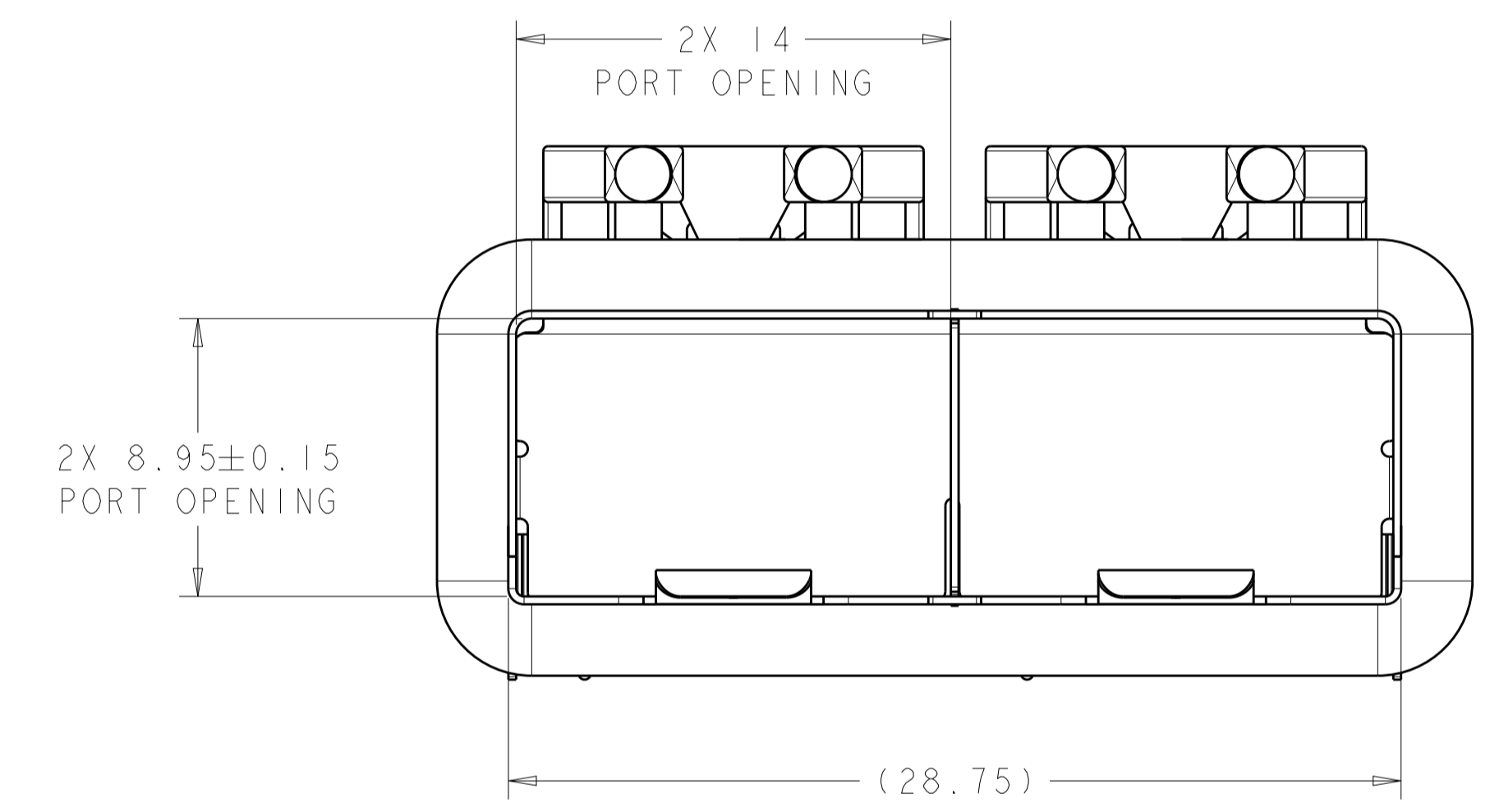
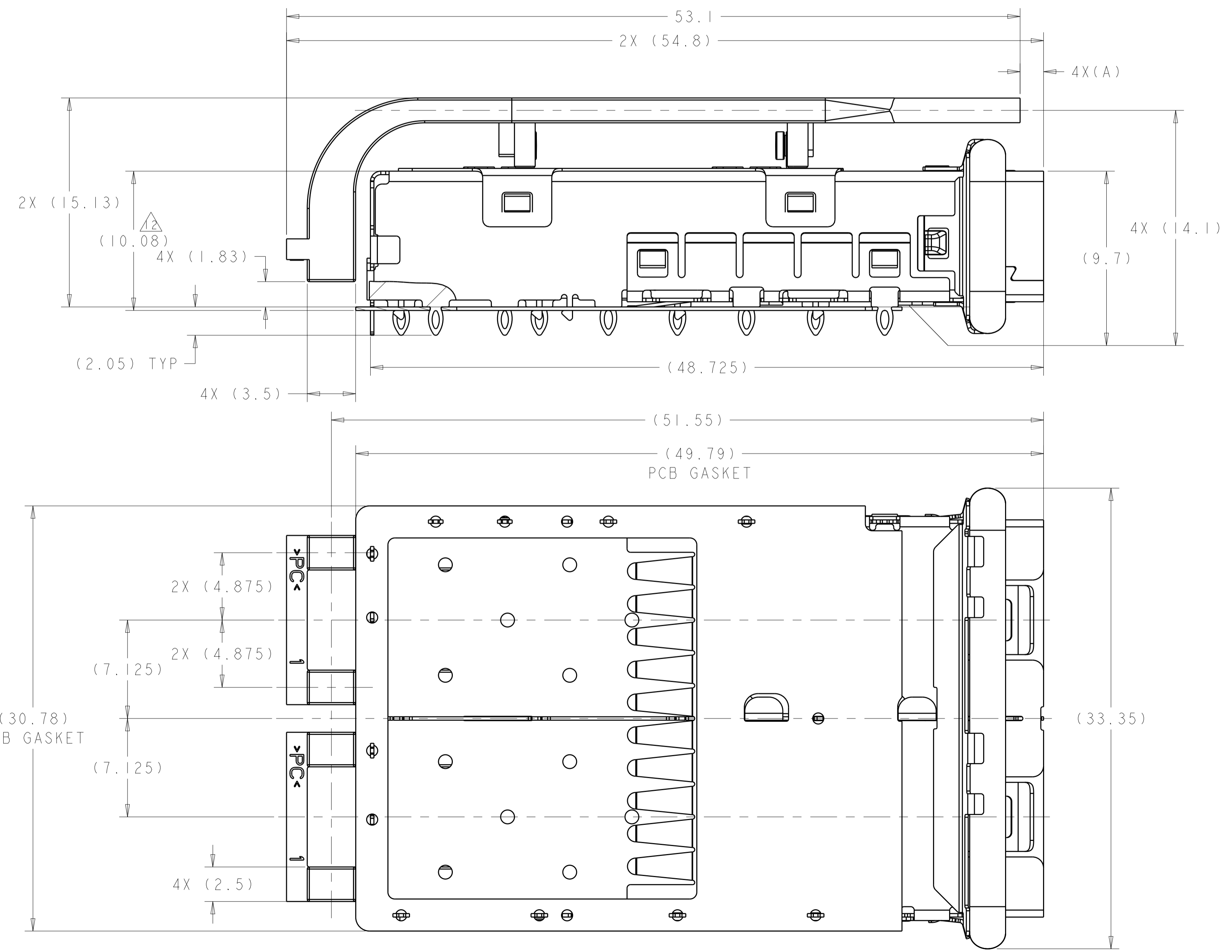


LOC	DIST	REVISIONS			
P	LTN	DESCRIPTION	DATE	DWN	APVD
A		REVISED PER ECO-15-002647	05MAR2015	AP	MS
B		REVISED PER ECO-16-014593	13FEB2017	JW	SH



- 1 MATERIAL:
 CAGE ASSEMBLY: NICKEL SILVER ALLOY, (0.25mm)
 GASKET RETENTION PLATE: STAINLESS STEEL
 EMI GASKET: PLATED FILLED SILICONE
 PCB GASKET: RF ABSORBER
 LIGHT PIPE BRACKET: STAINLESS STEEL
 LIGHT PIPE: POLYCARBONATE, CLEAR
- 2 MINIMUM PC BOARD THICKNESS:
 SINGLE SIDED = 1.45mm
 BELLY TO BELLY = 3mm
- 3 PADS AND VIAS CHASSIS GROUND
- 4 DATUM AND BASIC DIMENSION ESTABLISHED BY CUSTOMER
- 5. MATES WITH SFP MSA COMPLIANT TRANSCEIVERS
- 6. INTERPRETATION OF DATUM REFERENCE FRAME IN ACCORDANCE WITH SECT 4.4.1.1 OF ASME Y14.5M-1994
- 7 REFERENCE APPLICATION SPEC. 114-13120, HOLE A, FOR RECOMMENDED DRILL HOLE DIAMETER AND PLATING THICKNESS
- 8 REFERENCE APPLICATION SPEC. 114-13120, HOLE B, FOR RECOMMENDED DRILL HOLE DIAMETER AND PLATING THICKNESS
- 9 HOLE PATTERN REPEATS FOR EACH PORT, SPACING BETWEEN PORTS IS 14.25mm
- 10 LIGHT PIPE ASSEMBLY SHIPPED UNASSEMBLED TO CAGE ASSEMBLY, CAGE ASSEMBLY TO BE PRESSED INTO THE PCB PRIOR TO ATTACHING LIGHT PIPE ASSEMBLY TO CAGE
- 11. PRODUCT COMPLIES WITH SPECIFICATION SFF-8433, IMPROVED PLUGGABLE FORM FACTOR FOR SFP+ GANGED CAGES
- 12 CONTACT STANDOFF WILL PIERCE GASKET WHEN PROPERLY PRESSED INTO PCB

2198719-1
SCALE 8:1



3.5	2198719-2
1.7	2198719-1
DIM A	PART NUMBER

THIS DRAWING IS A CONTROLLED DOCUMENT.

DIMENSIONS: mm

TOLERANCES UNLESS OTHERWISE SPECIFIED:
 0 PLC ±0.25
 1 PLC ±0.25
 2 PLC ±0.25
 3 PLC ±0.25
 4 PLC ±0.25
 ANGLES ±0.25

MATERIAL: SEE NOTES

FINISH: -

Customer Drawing

DWN: M.E. CONNER 05FEB2013
 CHK: M.D. MORRISON 05FEB2013
 APVD: M.J. PHILLIPS 05FEB2013

NAME: CAGE ASSEMBLY WITH LIGHT PIPES, ENHANCED, PRESS-FIT, 1X2, zSFP+

PRODUCT SPEC: 108-2364
 APPLICATION SPEC: 114-13120

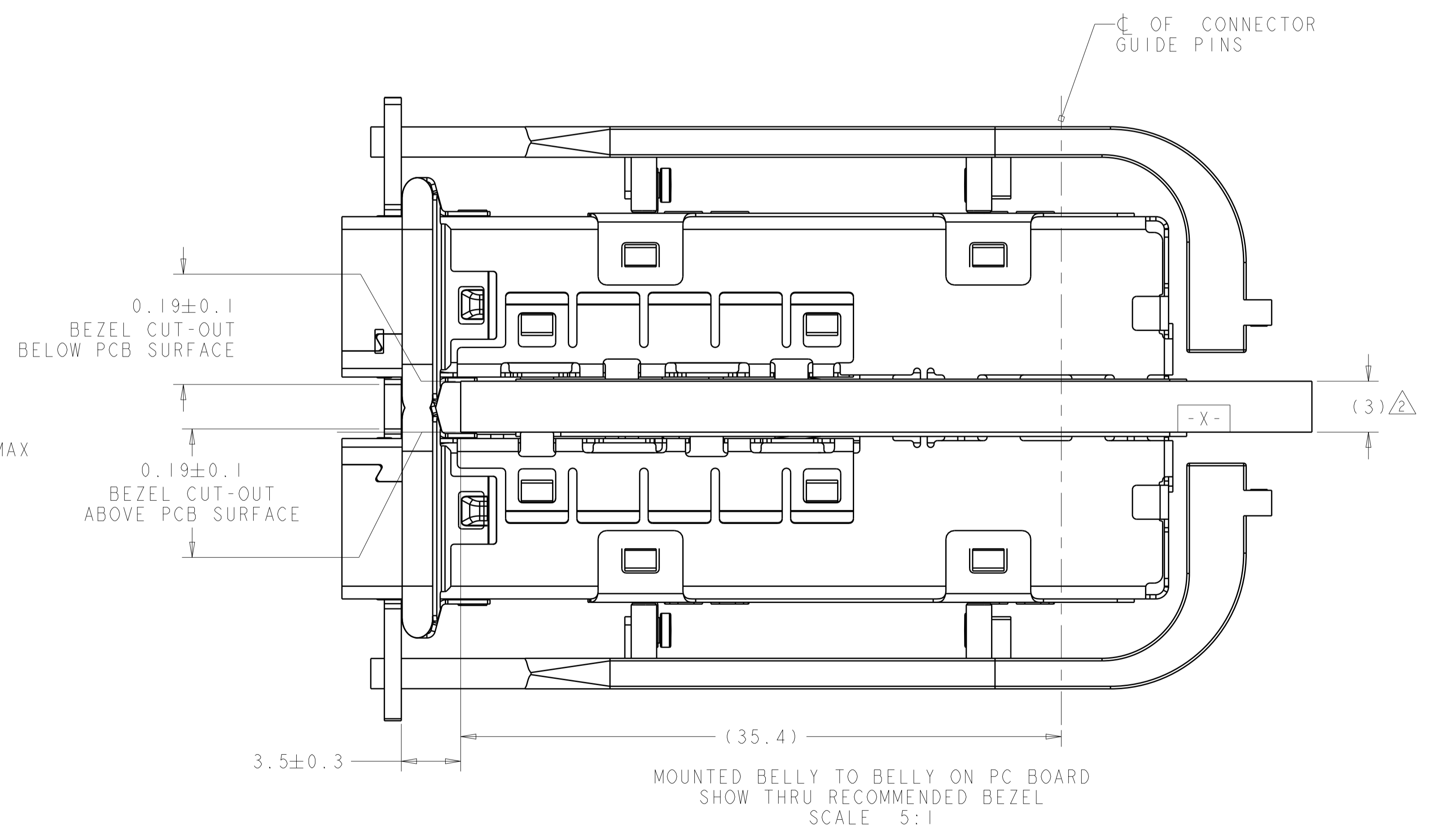
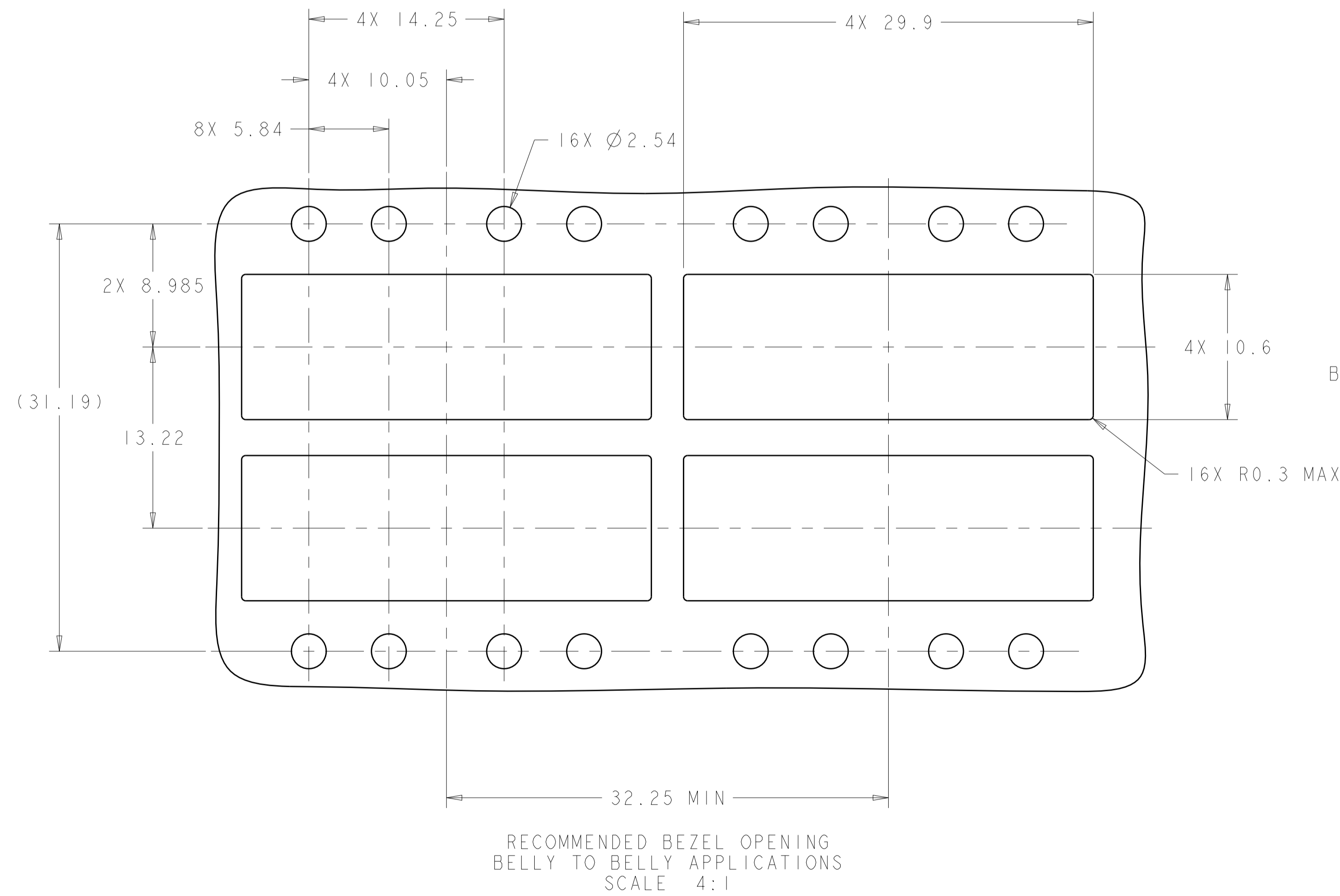
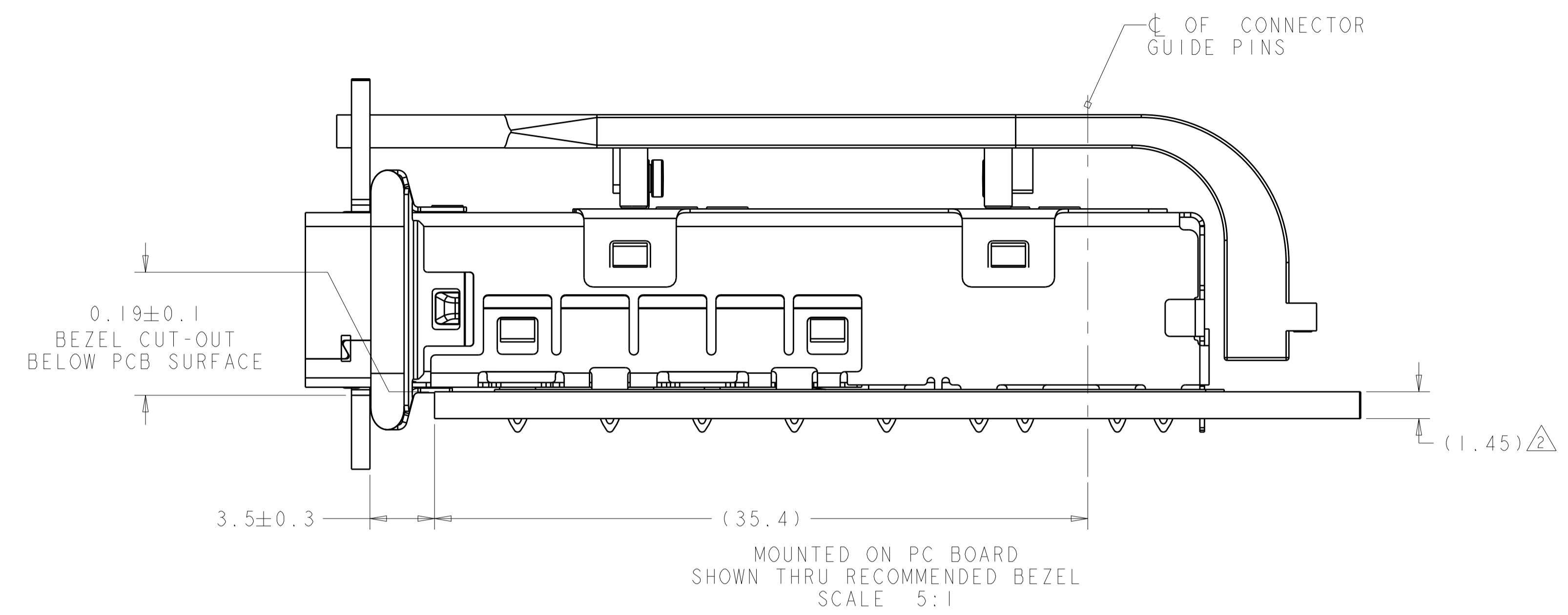
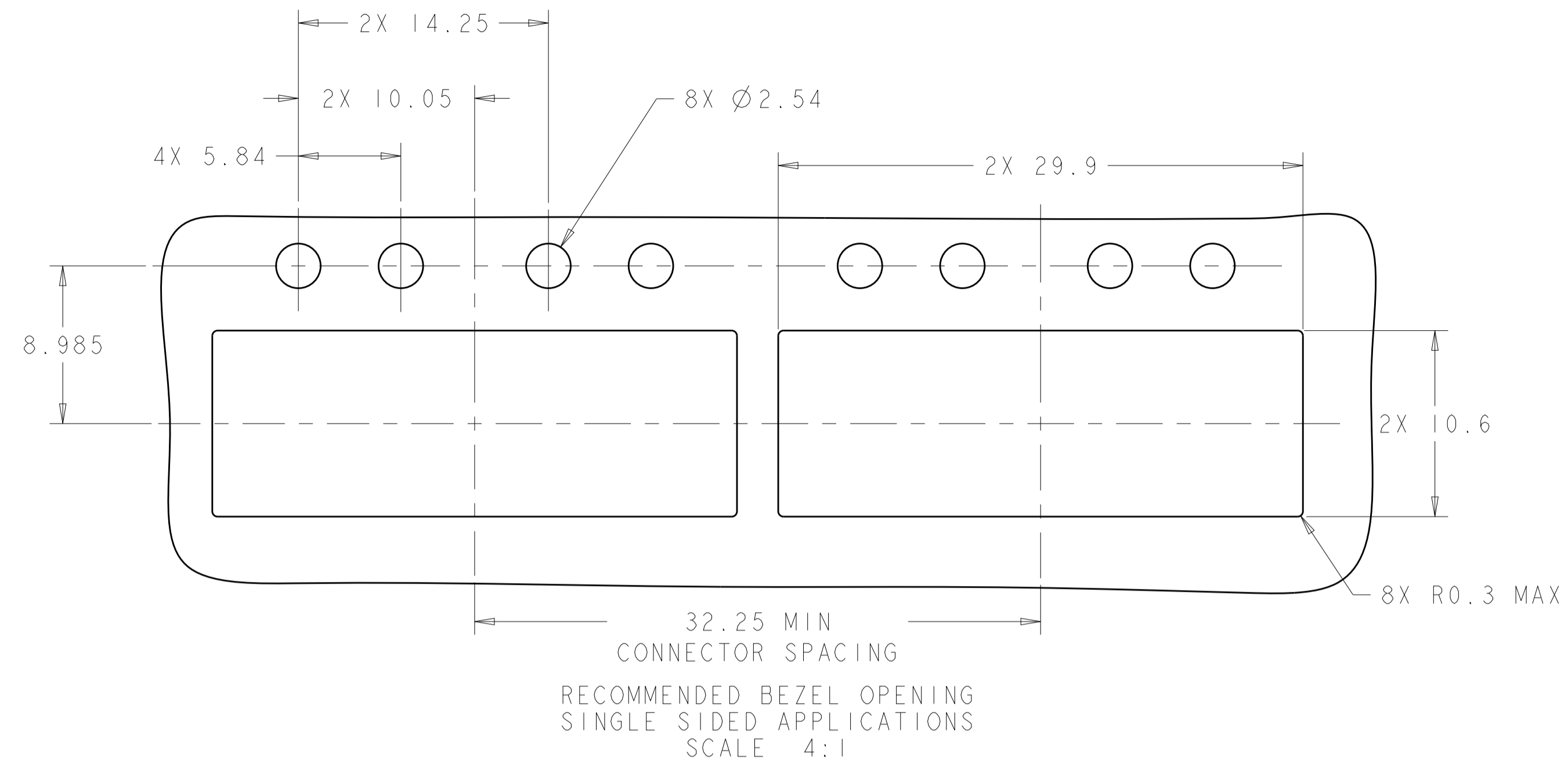
SIZE: A1
 CAGE CODE: 00779
 DRAWING NO: 2198719

RESTRICTED TO: -

SCALE: 5:1
 SHEET: 1 OF 4
 REV: B

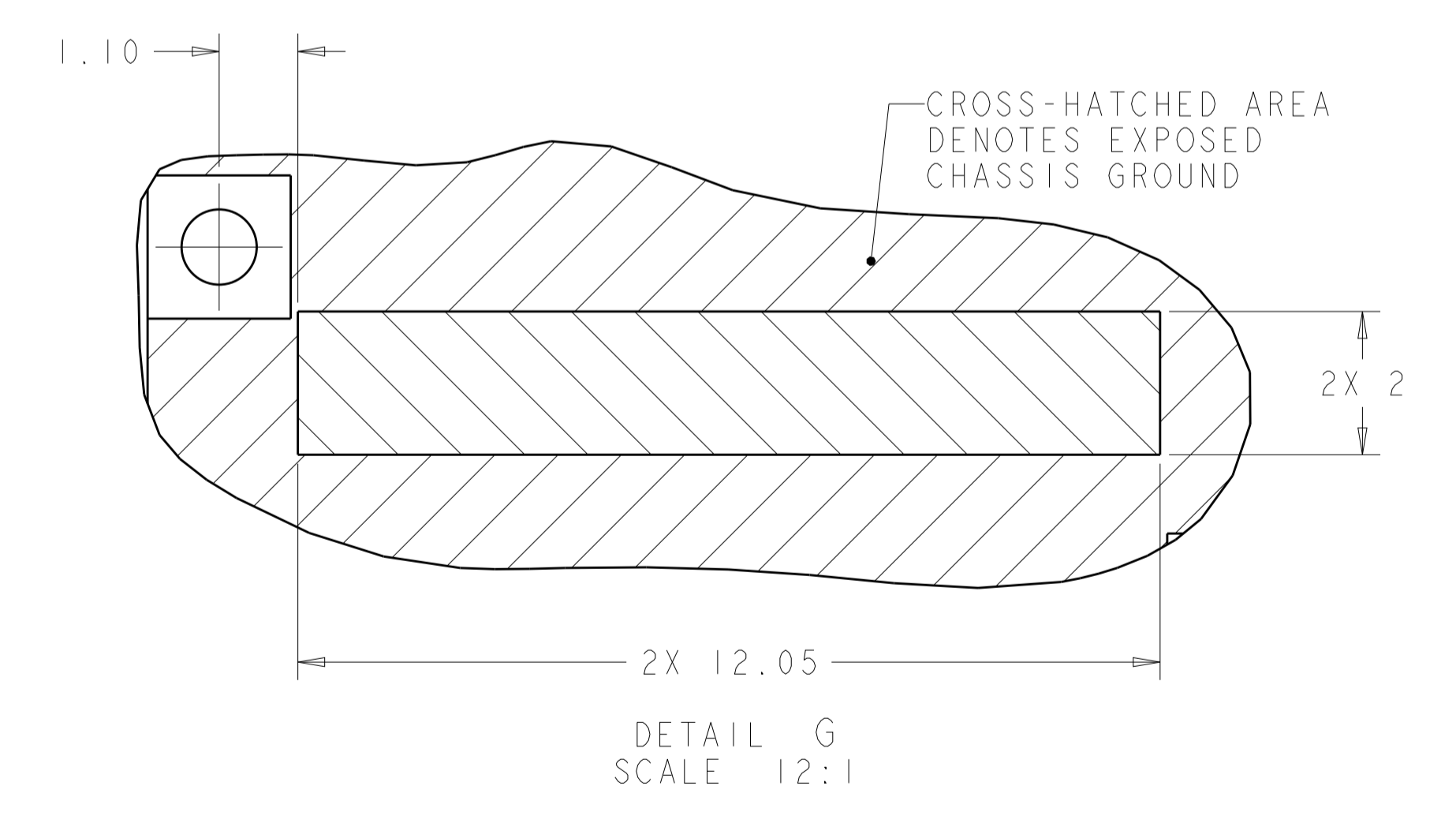
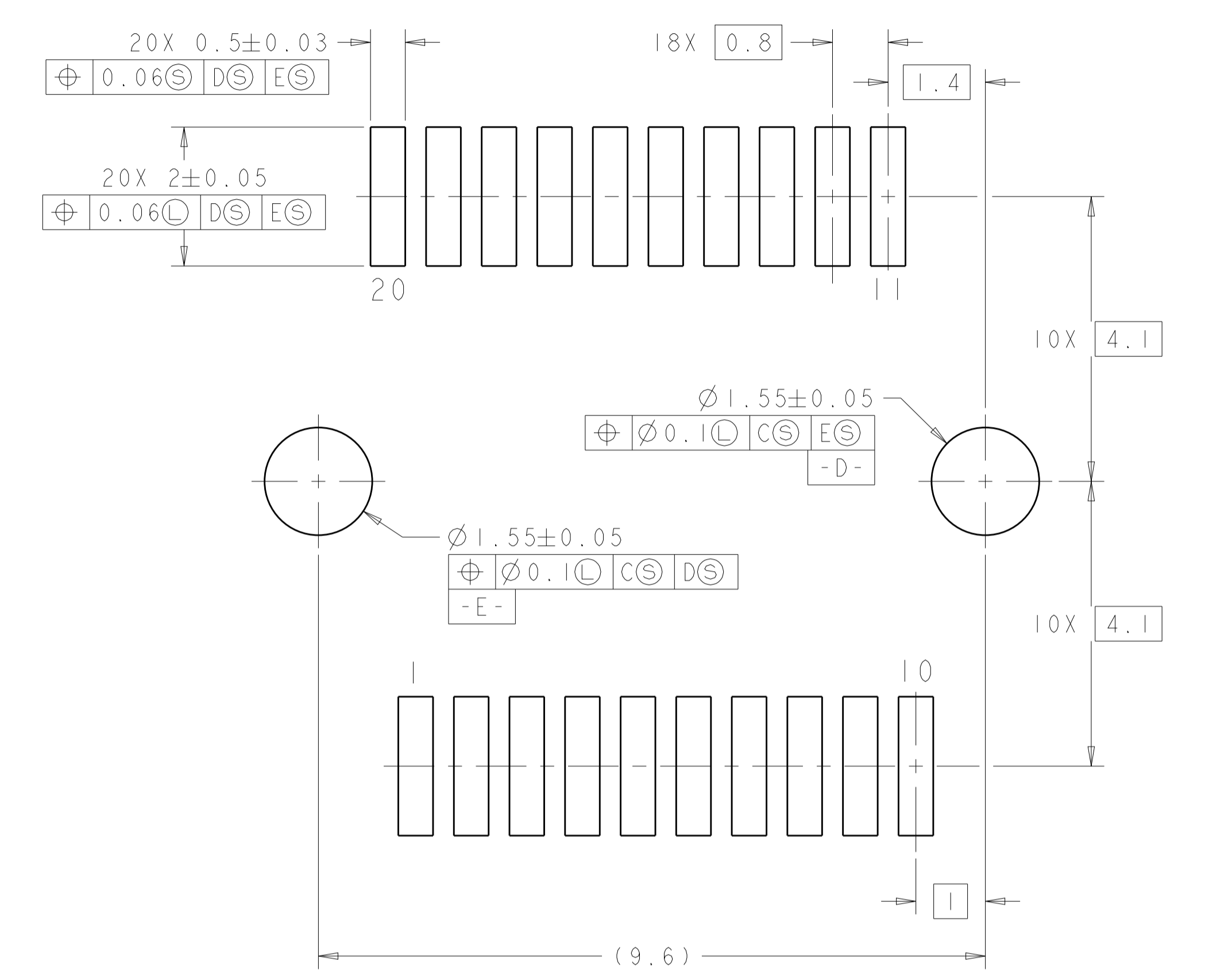
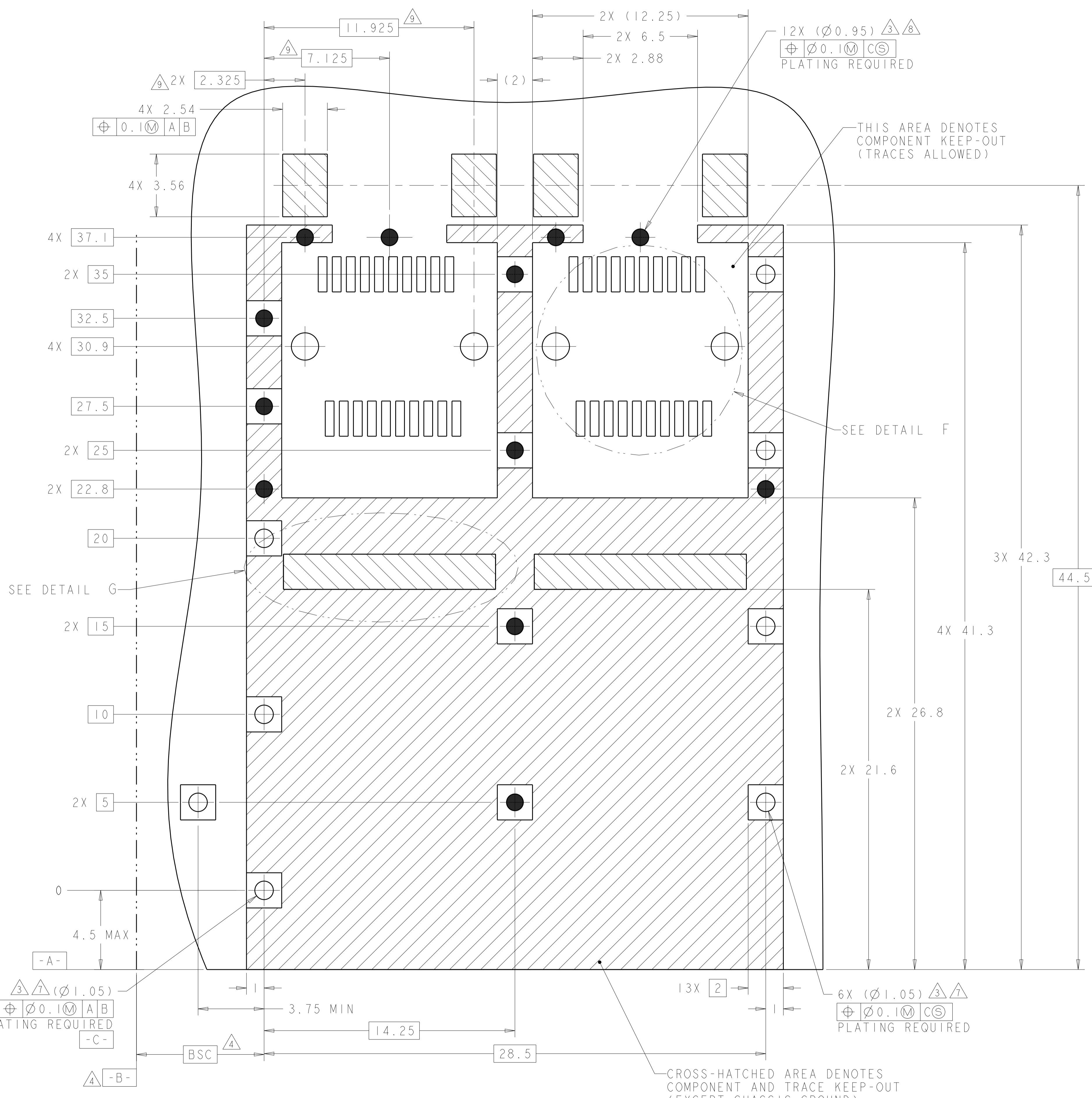
LOC	DIST	REV	DATE	BY	APPV
GP	00				

REVISIONS		DATE	BY	APPV
1	SEE SHEET 1			



THIS DRAWING IS A CONTROLLED DOCUMENT.		OWN M. E. CONNER 05FEB2013	TE Connectivity
DIMENSIONS: mm		CHK M. D. MORRISON 05FEB2013	
TOLERANCES UNLESS OTHERWISE SPECIFIED: 0 PLC ±0.1 1 PLC ±0.1 2 PLC ±0.08 3 PLC ±0.05 4 PLC ±0.05 ANGLES ±1° FINISH		APV M. J. PHILLIPS 05FEB2013	NAME CAGE ASSEMBLY WITH LIGHT PIPES, ENHANCED, PRESS-FIT, 1X2, zSFP+
MATERIAL SEE NOTES		PRODUCT SPEC 108-2364	SIZE 114-13120
		APPLICATION SPEC 114-13120	RESTRICTED TO
		WEIGHT	A100779C=2198719
		Customer Drawing	SCALE 6:1 SHEET 2 OF 4 REV B

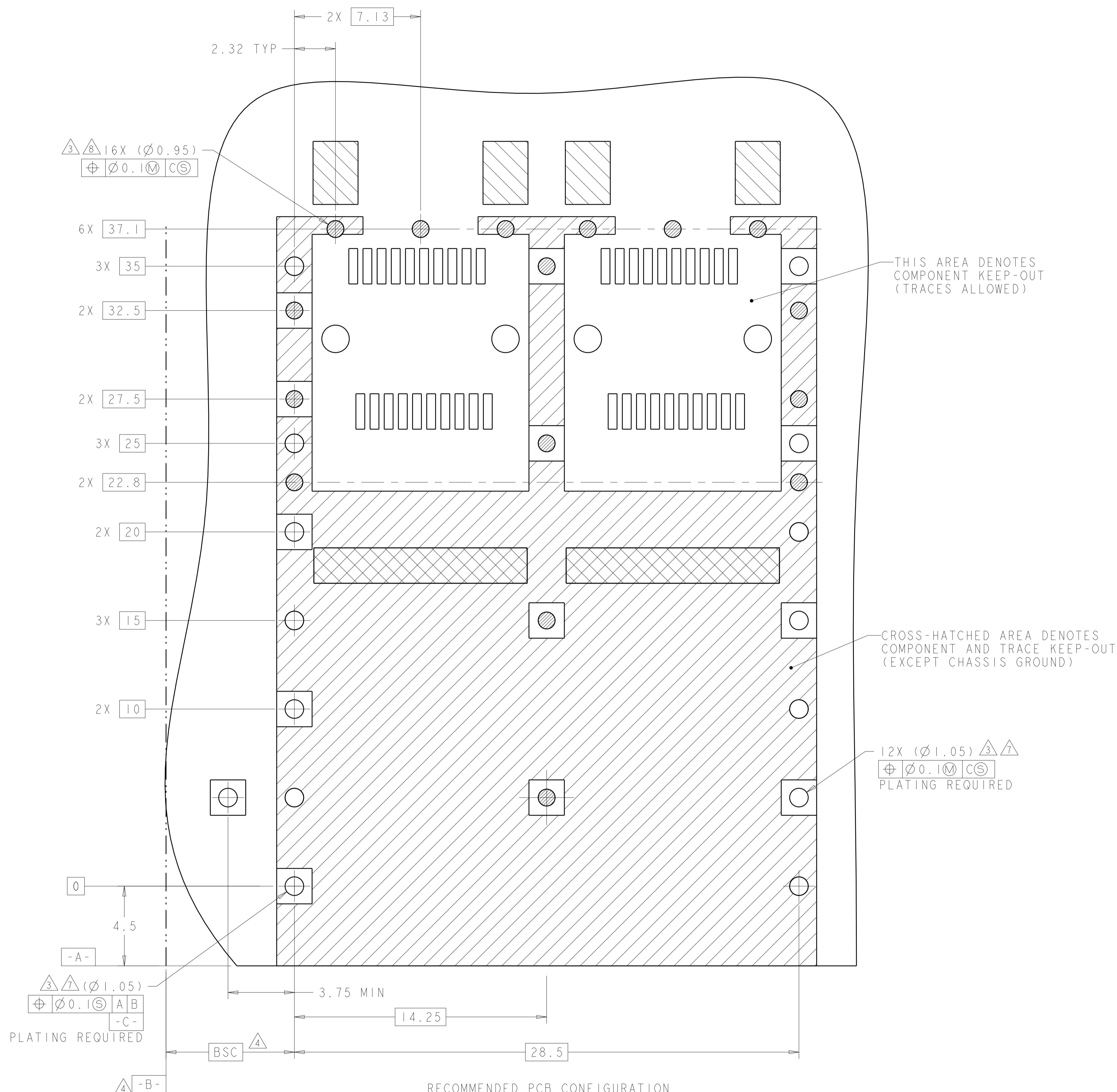
LOC	DIST	REV	DATE	BY	APPV
GP	00				
REVISIONS					
DESCRIPTION			DATE	BY	APPV
SEE SHEET 1					



RECOMMENDED PCB CONFIGURATION
 WITH KEEP-OUT AREAS FOR SINGLE SIDED APPLICATION
 SCALE 8:1

THIS DRAWING IS A CONTROLLED DOCUMENT.		OWN: M.E. CONNER 05FEB2013	TE Connectivity
DIMENSIONS: mm		CHK: M.D. MORRISON 05FEB2013	
TOLERANCES UNLESS OTHERWISE SPECIFIED:		APVD: M.J. PHILLIPS 05FEB2013	NAME: CAGE ASSEMBLY WITH LIGHT PIPES, ENHANCED, PRESS-FIT, 1X2, zSFP+
0 PLC ±0.1 1 PLC ±0.1 2 PLC ±0.08 3 PLC ±0.05 4 PLC ±0.05 ANGLES ±1°		PRODUCT SPEC: 108-2364	SIZE: 114-13120
MATERIAL: SEE NOTES		APPLICATION SPEC: 114-13120	RESTRICTED TO: -
		WEIGHT: -	A100779C=2198719
		Customer Drawing	SCALE 6:1 SHEET 3 OF 4 REV B

LOC	DIST	REVISIONS					
GP	00	P.	LTN	DESCRIPTION	DATE	DWN	APVD
		-		SEE SHEET 1			



RECOMMENDED PCB CONFIGURATION
 WITH KEEP-OUT AREAS FOR BELLY TO BELLY APPLICATION
 SAME AS SINGLED SIDED APPLICATION, EXCEPT AS SHOWN
 SCALE 8:1

THIS DRAWING IS A CONTROLLED DOCUMENT.		DWN: M.E. CONNER 05FEB2013	TE Connectivity
DIMENSIONS: mm		CHK: M.D. MORRISON 05FEB2013	
TOLERANCES UNLESS OTHERWISE SPECIFIED: 0 PLC ±0.1 1 PLC ±0.1 2 PLC ±0.08 3 PLC ±0.05 4 PLC ±0.05 ANGLES ±1°		APVD: M.J. PHILLIPS 05FEB2013	NAME: CAGE ASSEMBLY WITH LIGHT PIPES, ENHANCED, PRESS-FIT, 1X2, zSFP+
MATERIAL: SEE NOTES		PRODUCT SPEC: 108-2364	SIZE: A1
		APPLICATION SPEC: 114-13120	CAGE CODE: 00779
		WEIGHT: -	DRAWING NO: C=2198719
		Customer Drawing	SCALE: 6:1 SHEET 4 OF 4 REV B