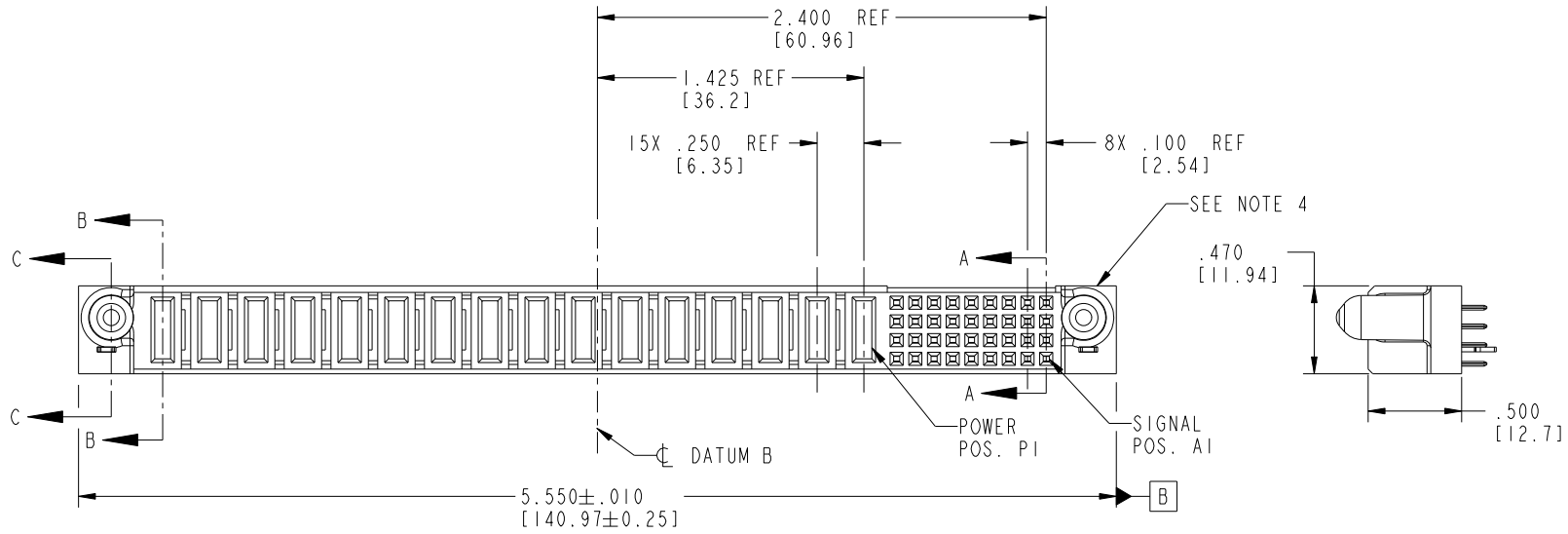


Tous droits strictement réservés. Reproduction ou communication o des liers interdite sous quelque forme que ce soit sans autorisation écrite du propriétaire. Propriete de c FCI. Droits de reproduction FCI.



All rights strictly reserved. Reproduction or issue to third parties in any form whatever is not permitted without written authority from the proprietor. Property of FCI. Copyright FCI.

PRODUCT NO. 51751-011 NOTE: ③	ROWS D C B A	POWER														SIGNAL										E1											
		E2	P16	P15	P14	P13	P12	P11	P10	P9	P8	P7	P6	P5	P4	P3	P2	P1	9	8	7	6	5	4	3		2	1									
			PA	X	PA	X	PA	PA	X	PA	X	PA	X	PA	X	PA	PA	X	E	E	E	E	E	E	E	E	E	E	E	E	E	E	E	E	E	E	



CODE	DIM "M"	MATING LENGTH	CONTACT TYPE
E	N/A	[N/A]	SIGNAL
PA	.042	[1.07]	POWER
HA	N/A	[N/A]	HOLD-DOWN
X	OMITTED		OMITTED

mat'l code				SEE NOTE 2				tolerances unless otherwise specified				CUSTOMER				 www.fciconnect.com	
ltr	ecn no.	dr	date	linear				.XX±.01/0.X±0.3				COPY				title	
A	V04-0216	TAB	03/05/04	.XX±.005/0.XX±0.13				projection				36S + 16P				VERTICAL SOLDER RECEPT	
B	DG05-0266	SJ	08/05/05	.XXX±.0020/0.XXX±0.051				INCH/MM				product family				PwrBlade	
C	DG08-0251	W D	09/13/08	angles				0°±2°				scale				A 51751-011	
sheet index				revision sheet				C C C C				1:1				code	
				1 2 3 4												213	
																sheet 1 of 4	

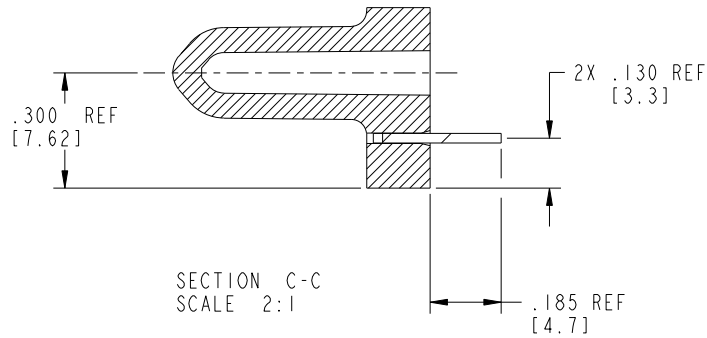
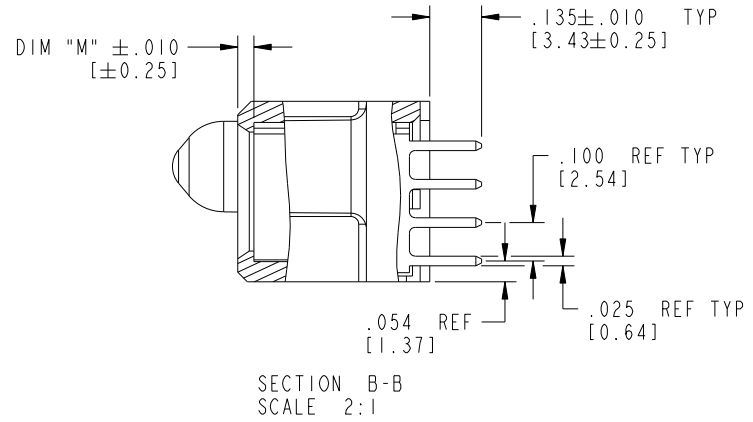
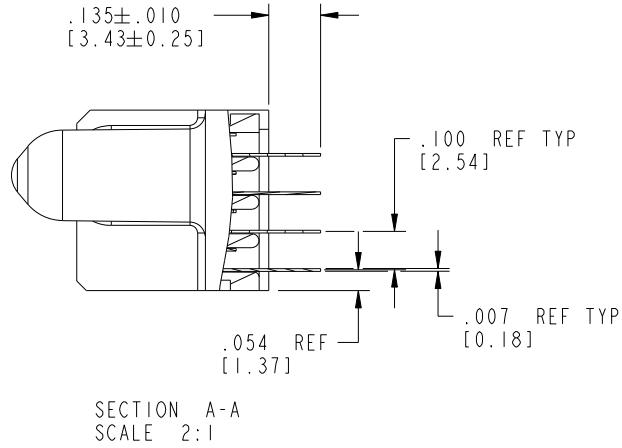
B A

Tous droits strictement réservés. Reproduction ou communication a des tiers interdite sous quelque forme que ce soit sans autorisation écrite du propriétaire. Propriété de c FCI. Droits de reproduction FCI.

All rights strictly reserved. Reproduction or issue to third parties in any form whatever is not permitted without written authority from the proprietor. Property of FCI. Copyright FCI.



PRODUCT NUMBER
51751-011--
NOTE: ③



mat'l code		SEE NOTE 2		tolerances unless otherwise specified		CUSTOMER		FCI	
ltr	ecn no.	dr	date	linear	.XX±.01/0.X±0.3	projection	www.fciconnect.com		
C				linear	.XX±.005/0.XX±0.13	INCH/MM	title 36S + 16P		
				angles	.XXX±.002/0.XXX±0.051	1:1	VERTICAL SOLDER RECEIPT		
				dr	T. BRUNGARD 03/05/04	scale	product family PwrBlade		code
				engr	M. GRAY 03/05/04		size	dwg no	213
				chr	M. GRAY 03/05/04		A 51751-011		sheet
				appd	M. GRAY 03/05/04				2 of 4
sheet index	revision sheet								

Pro/E

PDM: Rev: C

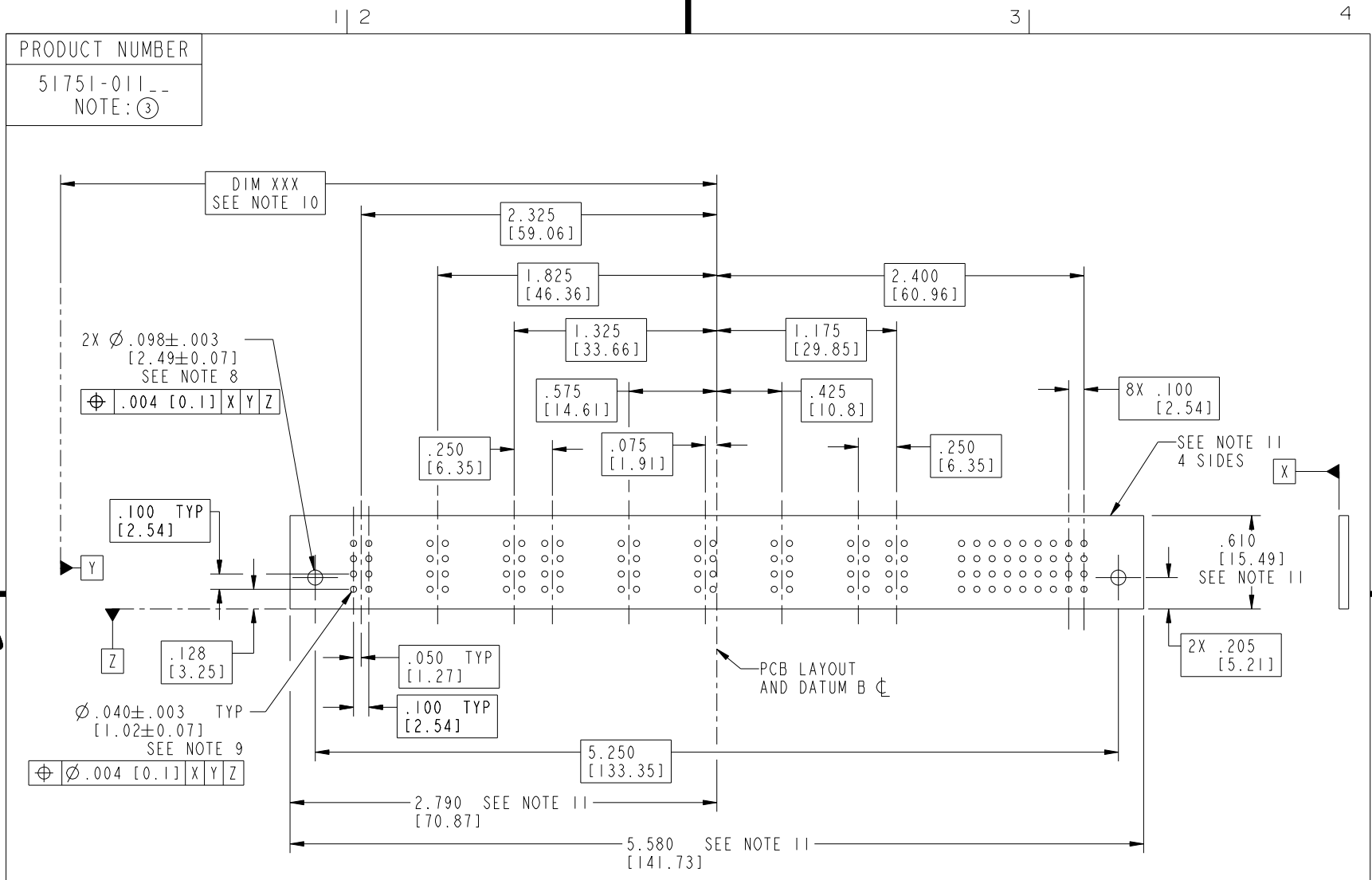
STATUS: Released

Printed: Dec 20, 2010

Tous droits strictement réservés. Reproduction ou communication a des tiers interdite sous quelque forme que ce soit sans autorisation écrite du propriétaire. Propriété de c FCI. Droits de reproduction FCI.



All rights strictly reserved. Reproduction or issue to third parties in any form whatever is not permitted without written authority from the proprietor. Property of FCI. Copyright FCI.



RECOMMENDED PCB LAYOUT

mat'l code		SEE NOTE 2		tolerances unless otherwise specified		CUSTOMER		FCI	
lfr	ecn no.	dr	date	linear	.XX±.01/0.X±0.3	COPY		www.fciconnect.com	
C				angles	.XXY±.005/0.XX±0.13	projection		title 36S + 16P	
					.XXX±.002/0.XXX±0.051	INCH/MM		VERTICAL SOLDER RECEPT	
				dr	0°±2°	scale		product family PwrBlade	
				enr	T. BRUNGARD 03/05/04	1:1		code 213	
				enr	M. GRAY 03/05/04			size dwg no	
				chr	M. GRAY 03/05/04			A 51751-011	
				appd	M. GRAY 03/05/04			sheet 3 of 4	
sheet index	revision sheet								

cage code 2856

Pro/E

PDM: Rev: C

STATUS: Released

Printed: Dec 20, 2010

Tous droits strictement réservés. Reproduction ou communication a des tiers interdite sous quelque forme que ce soit sans autorisation écrite du propriétaire. Propriété de c FCI. Droits de reproduction FCI.



All rights strictly reserved. Reproduction or issue to third parties in any form whatever is not permitted without written authority from the proprietor. Property of FCI. Copyright FCI.

1 | 2

3 |

4

PRODUCT NUMBER
51751-011--
NOTE: ③

NOTES:

1. DIMENSIONS AND TOLERANCES ARE IN ACCORDANCE WITH ASME Y14.5M, 1994 UNLESS OTHERWISE SPECIFIED.

CONNECTOR NOTES:

- ② HOUSING MATERIAL: UL 94 V-0 GLASS FILLED HIGH-TEMP THERMOPLASTIC
POWER CONTACT MATERIAL: COPPER ALLOY
SIGNAL PIN MATERIAL: COPPER ALLOY
- △ 3. SEE ITEM 5 & 6 IN PRINT 10064183 FOR PLATING SPEC OF 51751-011 AND 51751-011LF RESPECTIVELY.
- ④ MANUFACTURER'S NAME, P/N, AND DATE CODE TO APPEAR ON THIS SURFACE.
- 5. PRODUCT SPECIFICATION GS-12-149.
APPLICATION SPECIFICATION BUS-20-067.
- 6. PACKAGED IN TRAYS.
PCB NOTES:
7. ALL HOLE DIAMETERS ARE FINISHED HOLE SIZE.
- ⑧ MOUNTING HOLES, WHERE APPLICABLE, ARE UNPLATED.
- ⑨ $\varnothing .0453 \pm .0010$ [1.151 ± 0.025] DRILLED HOLES PLATED WITH .0003 [0.008] MIN SnPb OVER .001 [0.03] TO .003 [0.08] Cu PLATING TO ACHIEVE $\varnothing .040 \pm .003$ [1.02 ± .07] HOLE.
- ⑩ "DIM XXX" TO BE DETERMINED BY THE CUSTOMER.
- ⑪ CONNECTOR KEEP-OUT ZONE.
- 12. A △ SYMBOL WILL BE NEXT TO ANY DIMENSION, VIEW, OR NOTE WHICH HAS BEEN MODIFIED WITH THE CURRENT DRAWING REVISION.

mat'l code		SEE NOTE 2		tolerances unless otherwise specified		CUSTOMER		FCI		www.fciconnect.com	
ltr	ecn no.	dr	date	linear	.XX±.01/0.X±0.3	COPY		projection		title	
C					.XX±.005/0.XX±0.13	①				36S + 16P	
				angles	.XXX±.0020/0.XXX±0.051	INCH/MM		product family		code	
				dr	0° ± 2°	← →		PwrBlade		213	
				enrg	T. BRUNGARD 03/05/04	scale		size		sheet	
				chr	M. GRAY 03/05/04	1:1		A		4 of 4	
				appd	M. GRAY 03/05/04			51751-011			
sheet index	revision sheet										

1 | 2

Pro/E

PDM: Rev: C

STATUS: Released

Printed: Dec 20, 2010

A

A

B

B

cage code 22526

4