

P&E Microcomputer Systems, Inc.  
 98 Galen Street Floor 2  
 Watertown  
 MA 02472  
 USA

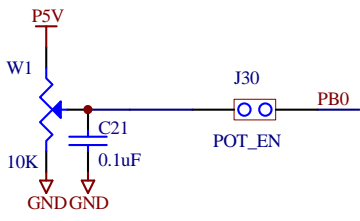
TRK-MPC5604B Schematic - Reset and Clock

Size A	FCSM No.	DWG No.	Rev B
Scale	Sheet 3 of 9		



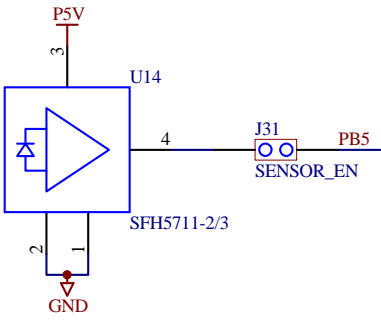
1 2 3 4

D

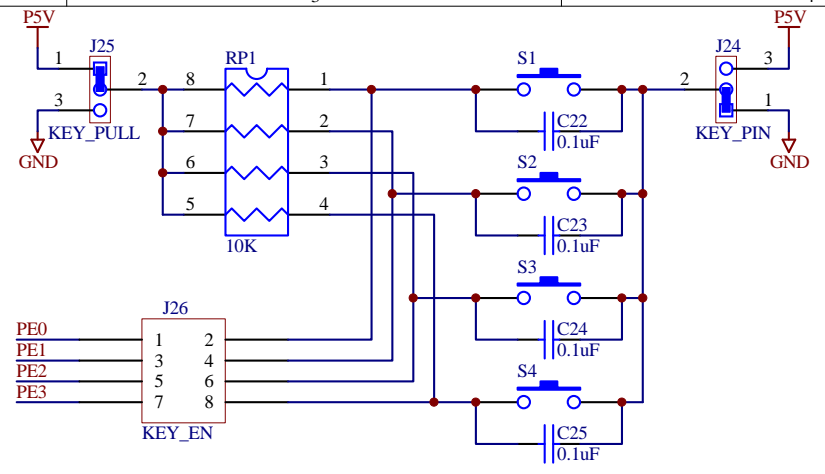


ANALOG INPUT

C

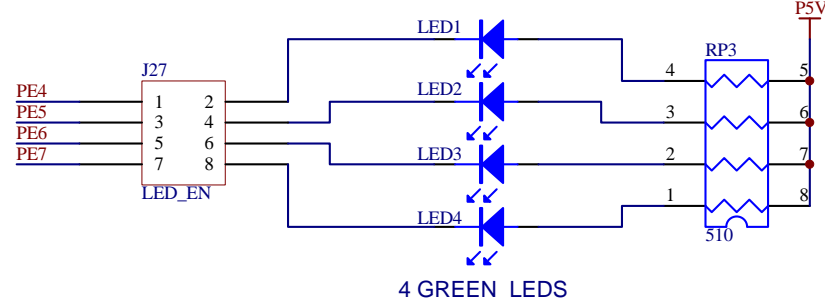
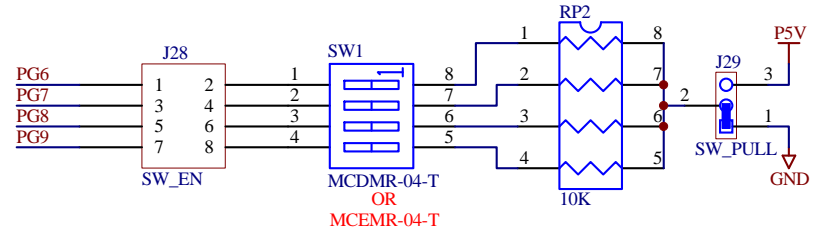


B



D

C



B

A

A

		P&E Microcomputer Systems, Inc. 98 Galen Street Floor 2 Watertown MA 02472 USA	
		TRK-MPC5604B Schematic - User IO	
Size A	FCSM No.	DWG No.	Rev B
Scale	Sheet 4 of 9		

1 2 3 4



1

2

3

4

D

D

C

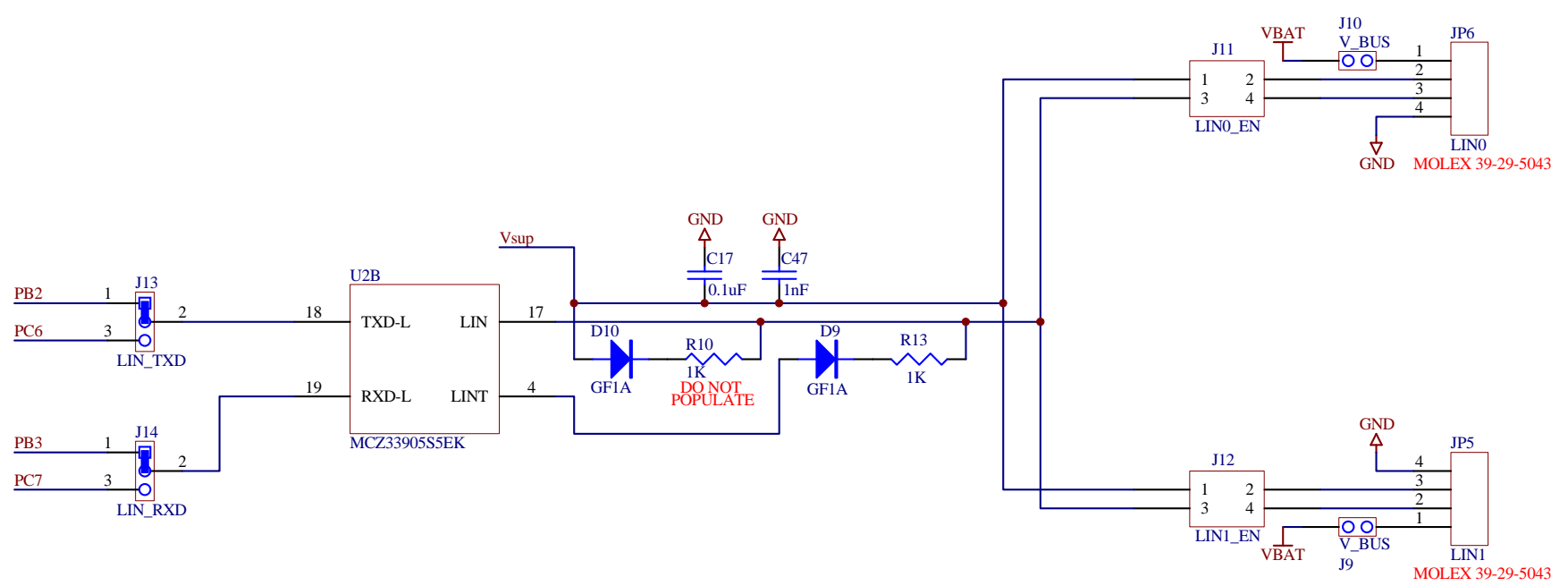
C

B

B

A

A



LIN CONNECTION CIRCUIT

P&E Microcomputer Systems, Inc.  
 98 Galen Street Floor 2  
 Watertown  
 MA 02472  
 USA

TRK-MPC5604B Schematic - LIN

Size A	FCSM No.	DWG No.	Rev B
Scale	Sheet 5 of 9		

1

2

3

4



1

2

3

4

D

D

C

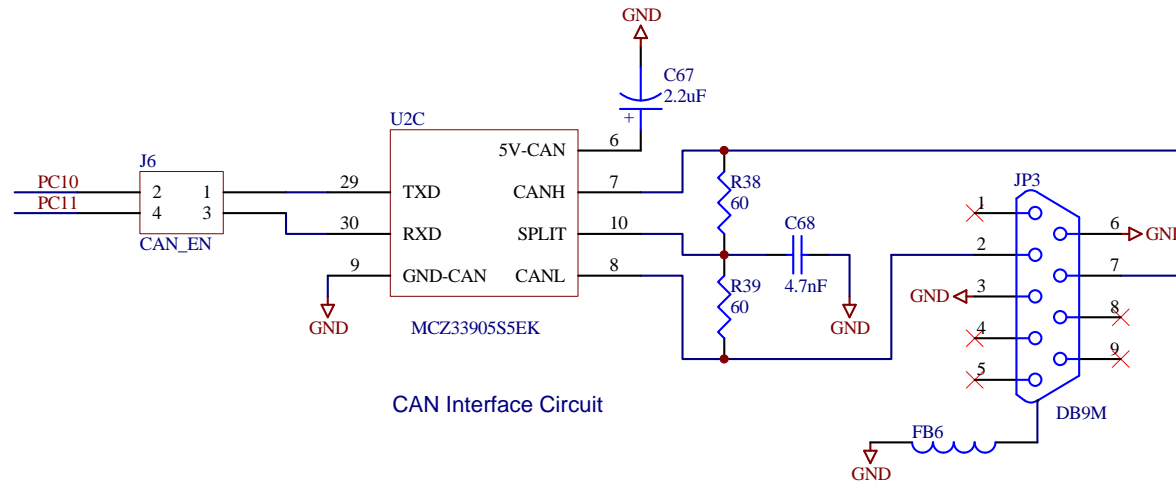
C

B

B

A

A



CAN Interface Circuit

P&E Microcomputer Systems, Inc.  
 98 Galen Street Floor 2  
 Watertown  
 MA 02472  
 USA

TRK-MPC5604B Schematic - CAN

Size  
A

FCSM No.

DWG No.

Rev  
B

Scale

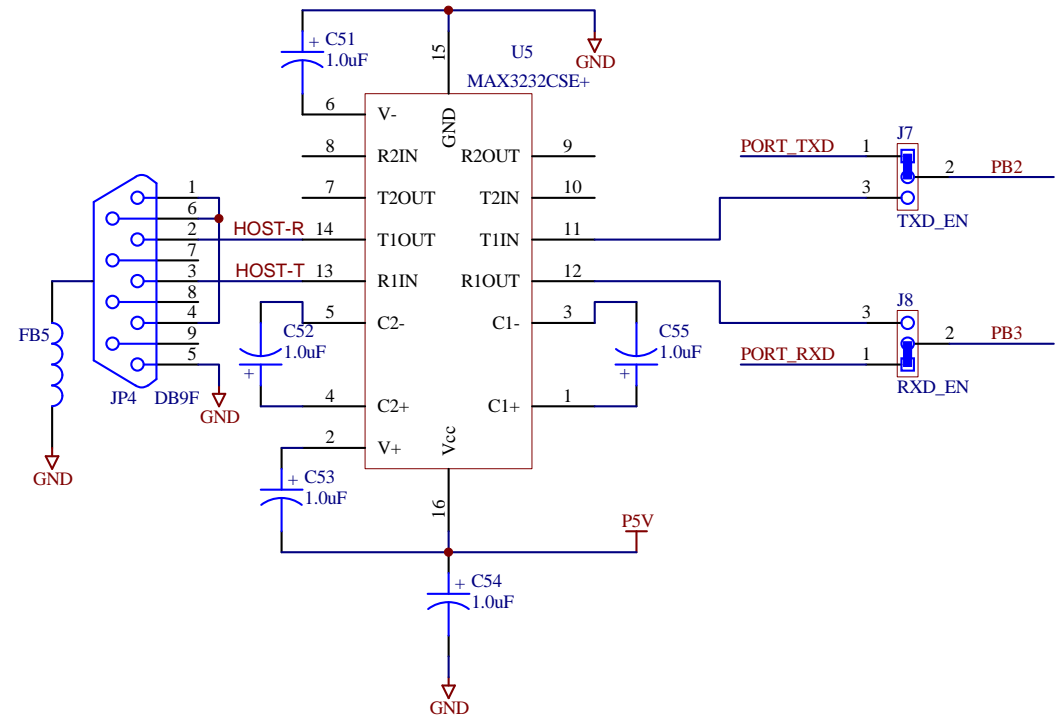
Sheet  
6 of 9

1

2

3

4



RS232 CIRCUITRY  
DO NOT POPULATE

		P&E Microcomputer Systems, Inc. 98 Galen Street Floor 2 Watertown MA 02472 USA		
		TRK-MPC5604B Schematic - RS232		
Size A	FCSM No.	DWG No.		Rev B
Scale			Sheet 7 of 9	



1

2

3

4

D

D

C

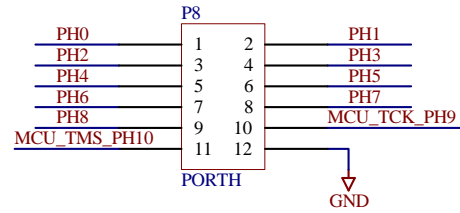
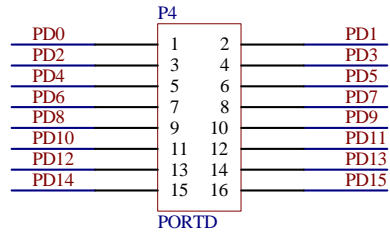
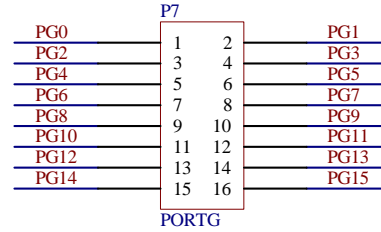
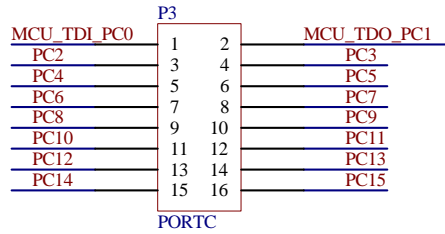
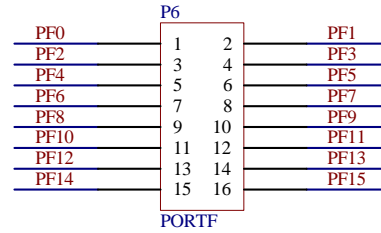
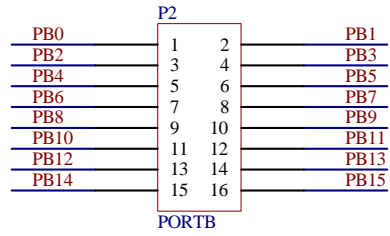
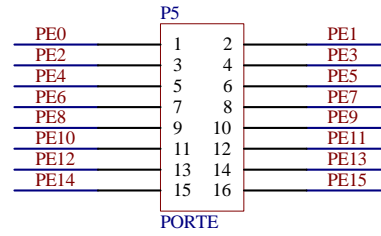
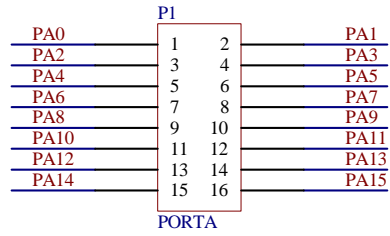
C

B

B

A

A



P&E Microcomputer Systems, Inc.  
 98 Galen Street Floor 2  
 Watertown  
 MA 02472  
 USA

TRK-MPC5604B Schematic - PORT IO

Size A	FCSM No.	DWG No.	Rev B
Scale	Sheet 8 of 9		

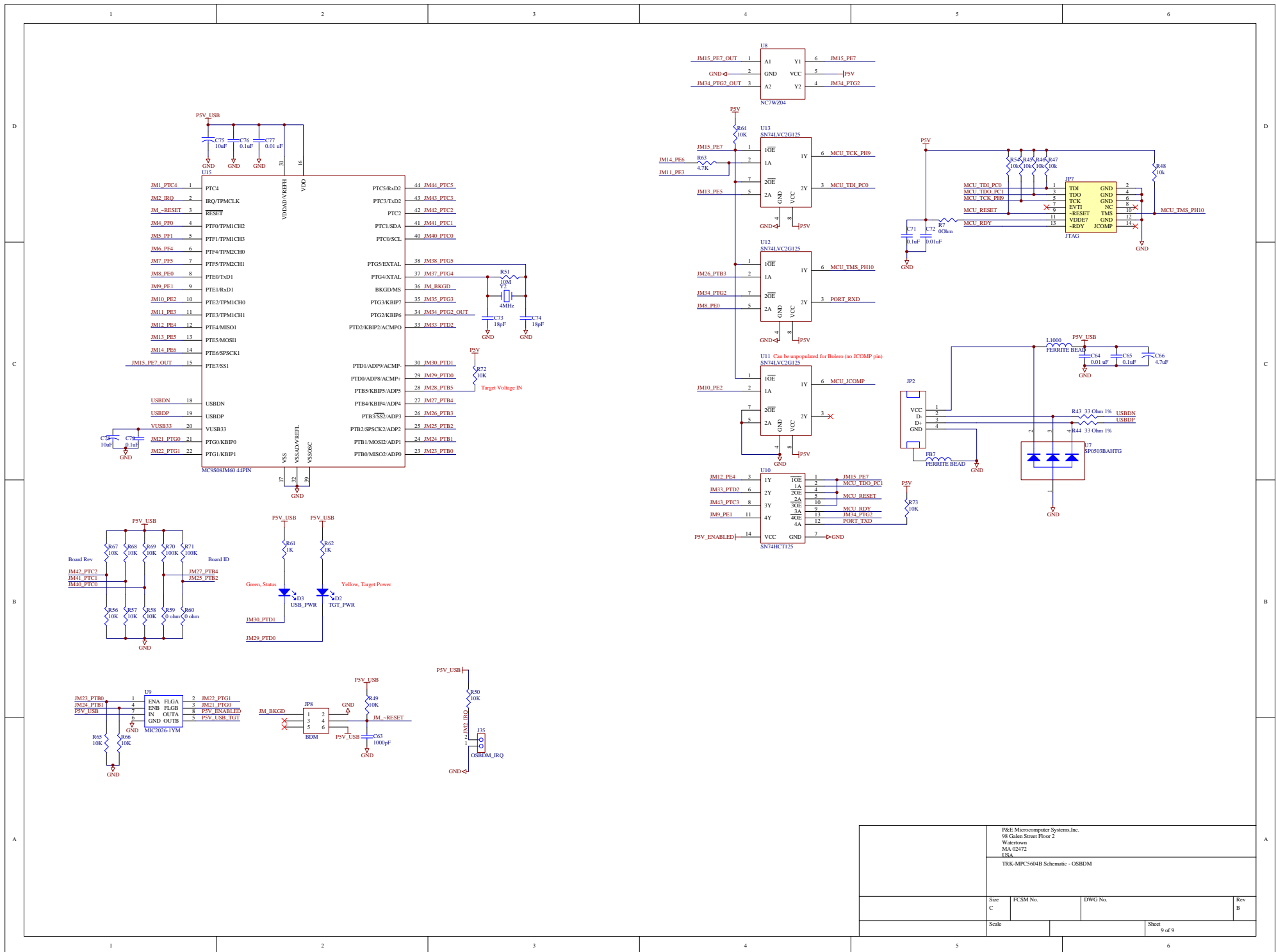
1

2

3

4

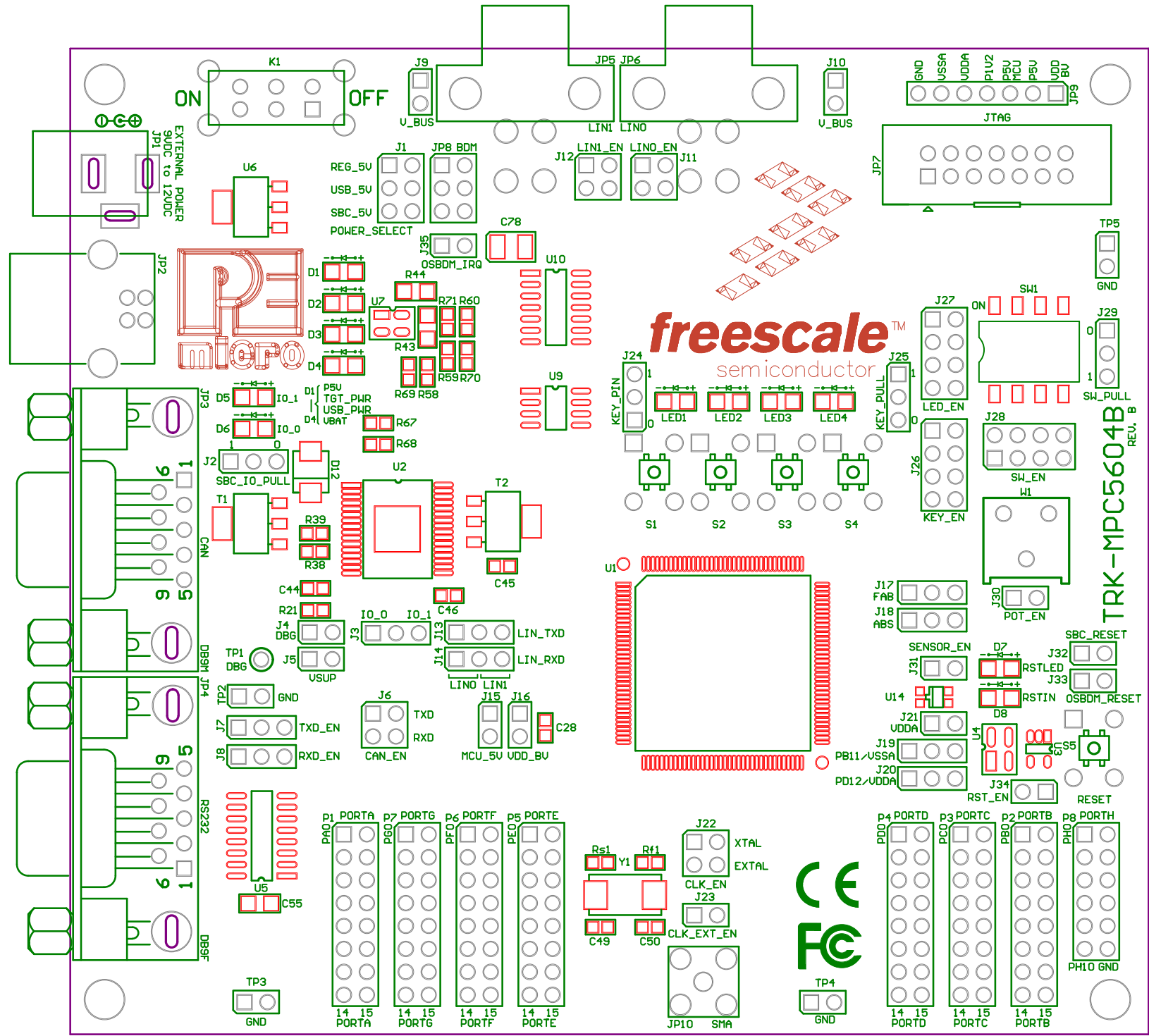






4700 (mil)

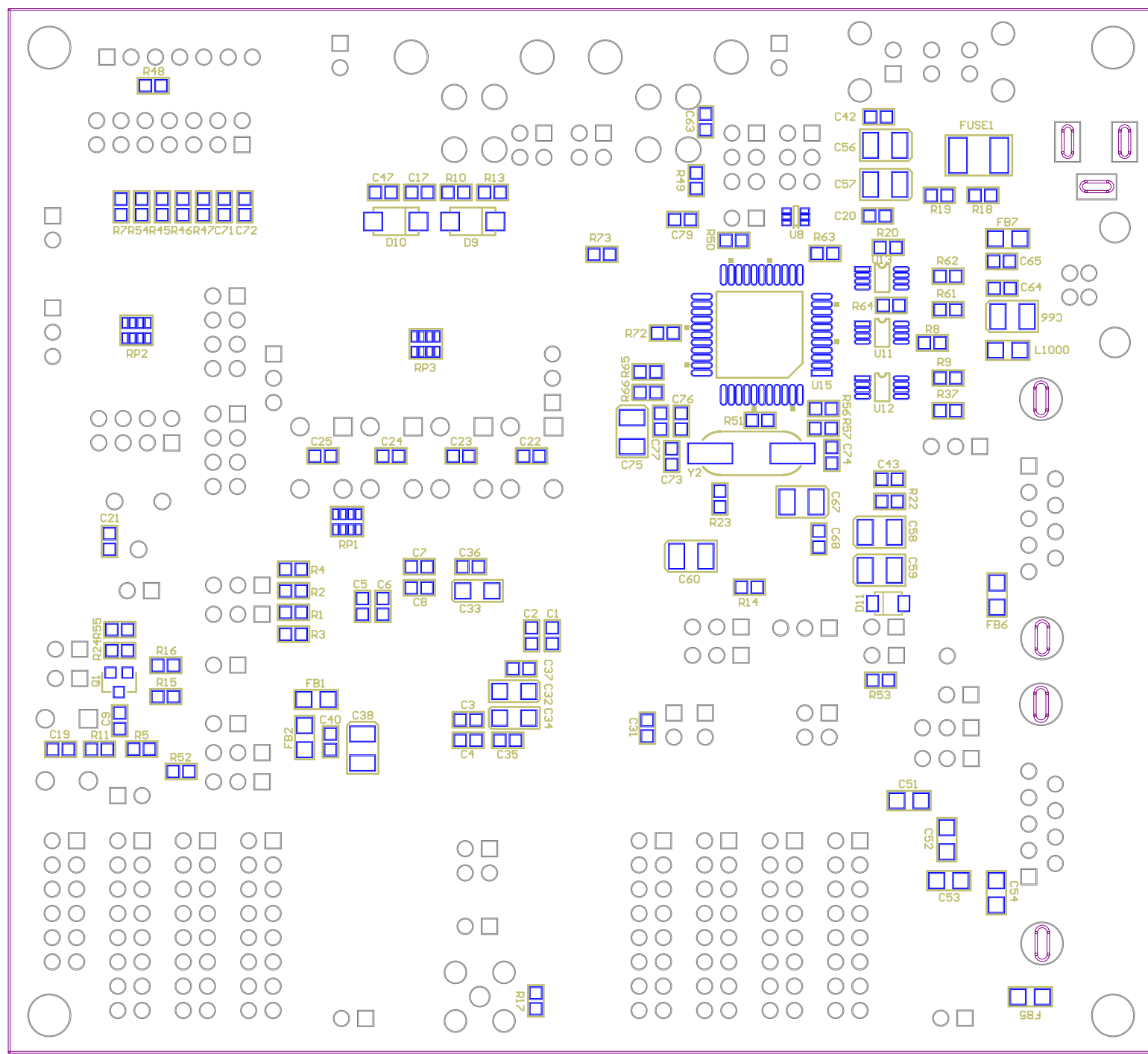
4300 (mil)

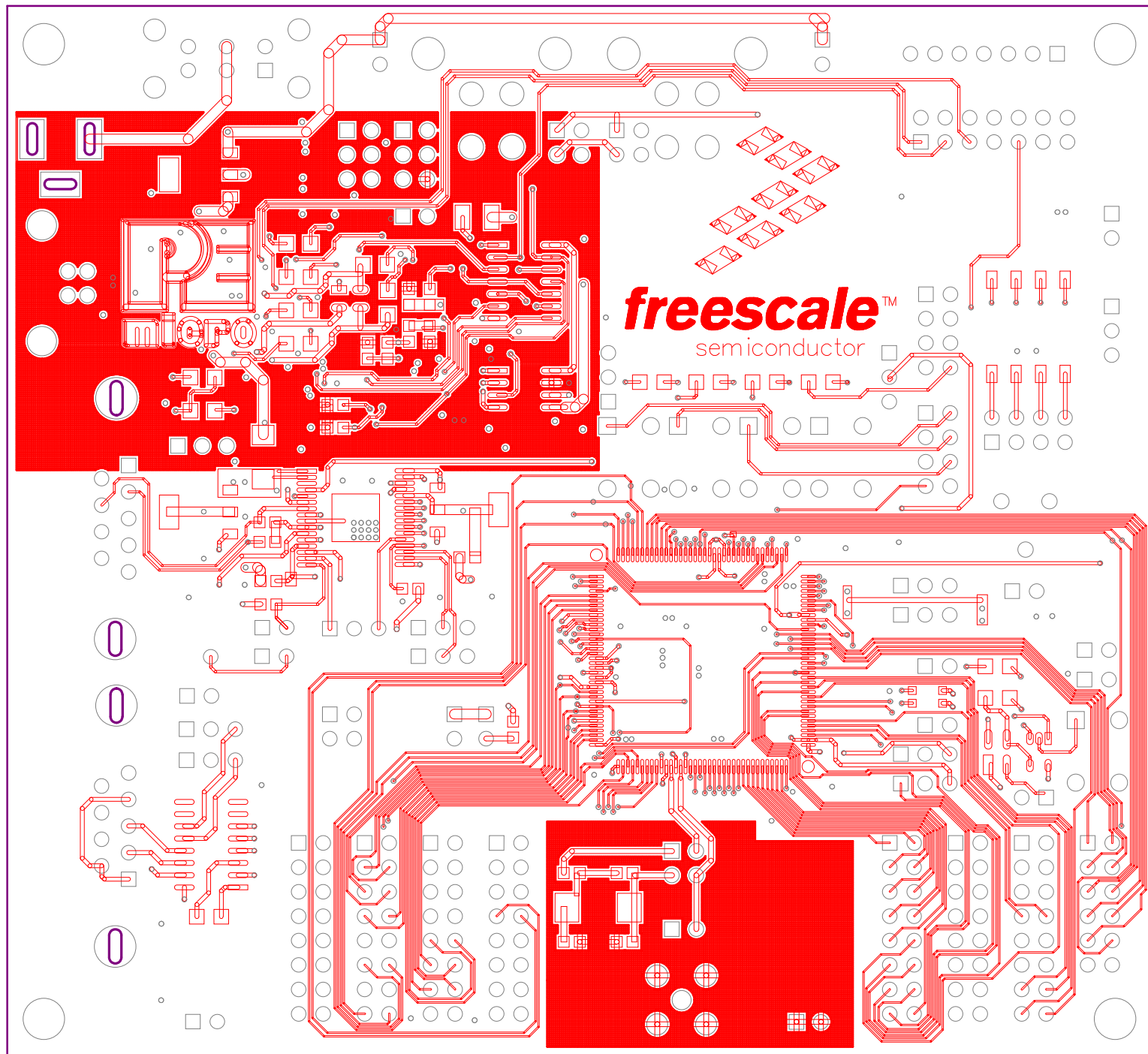


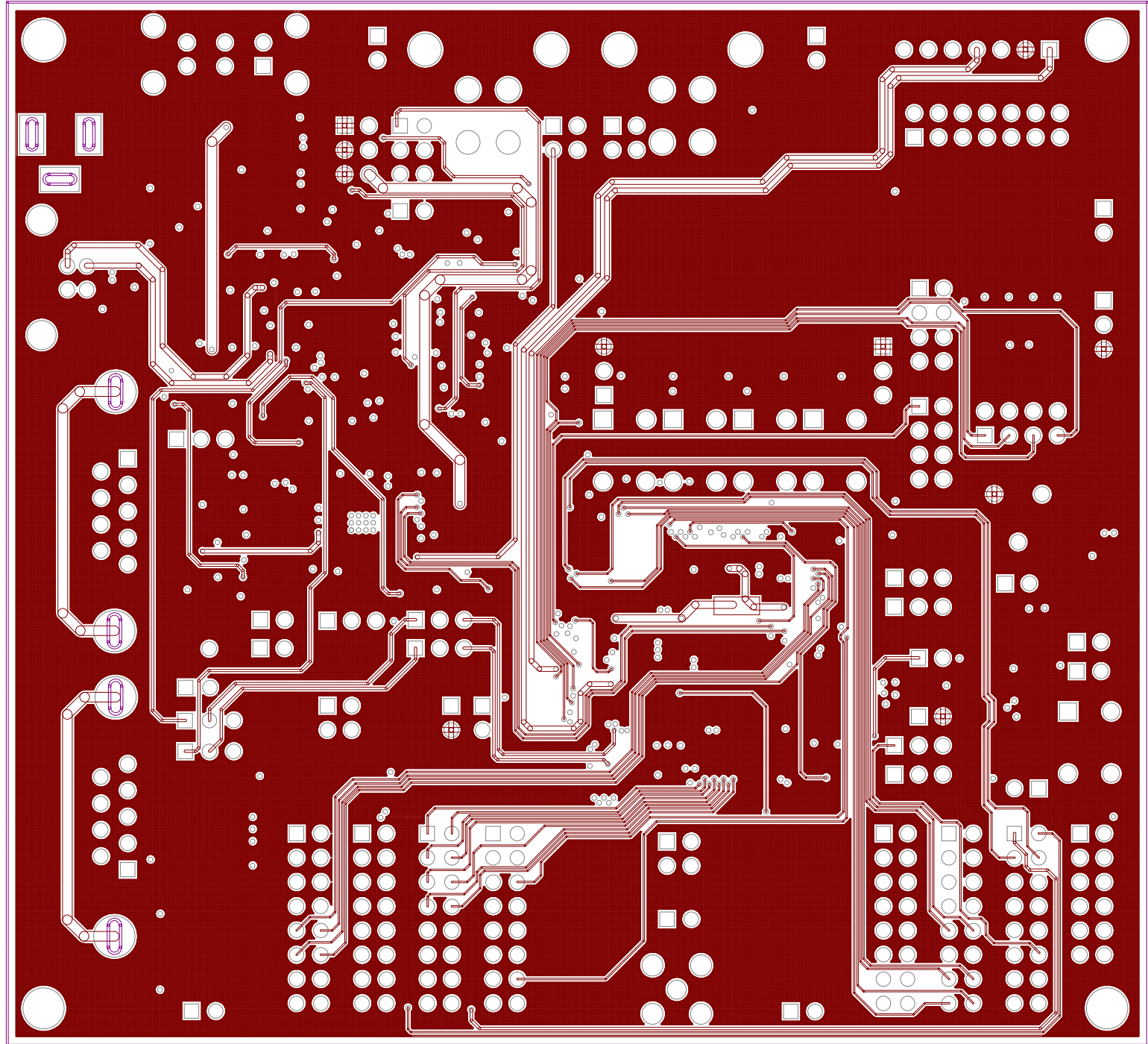
freescale™  
semiconductor

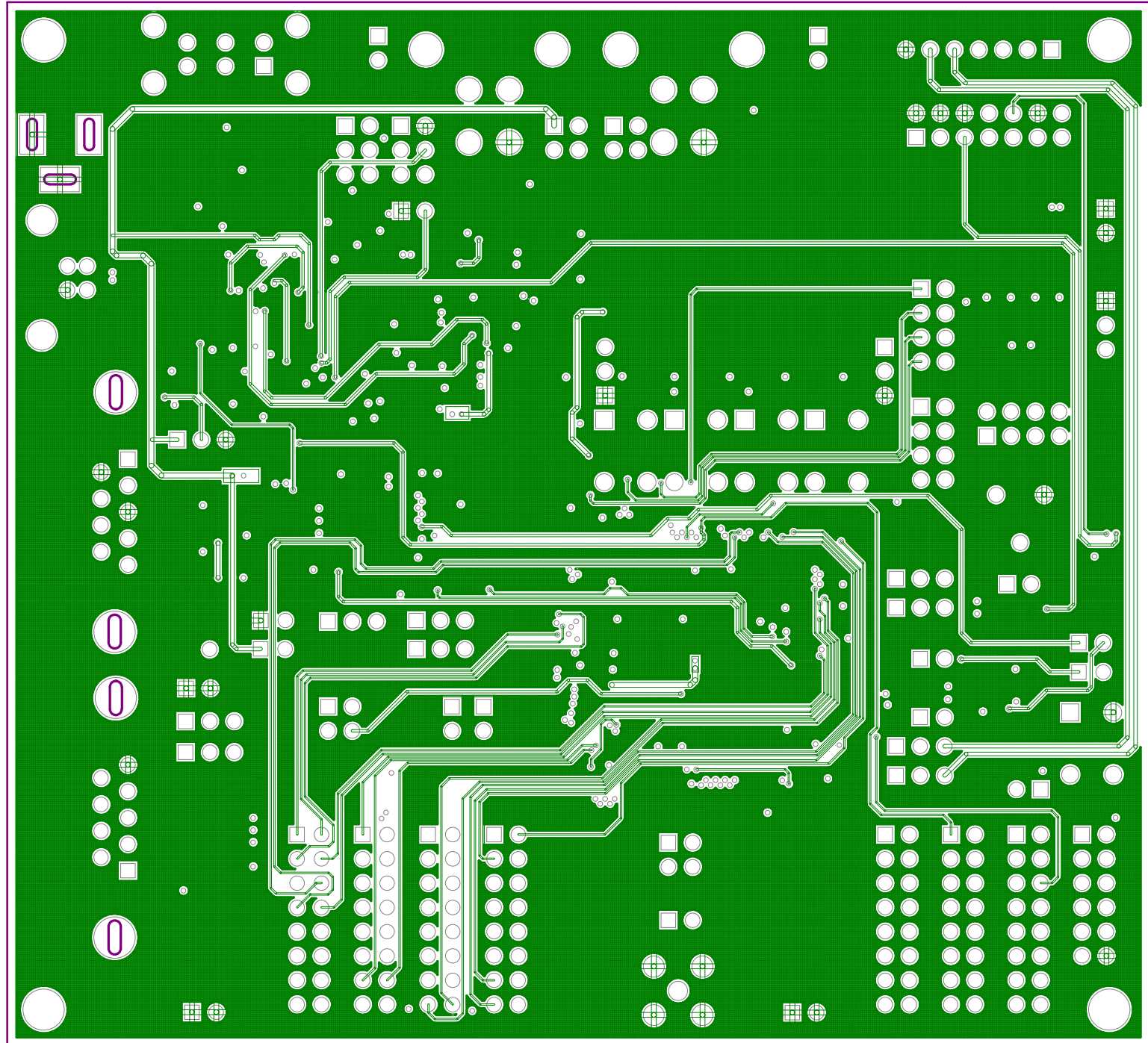
TRK-MPC5604B  
REV. B

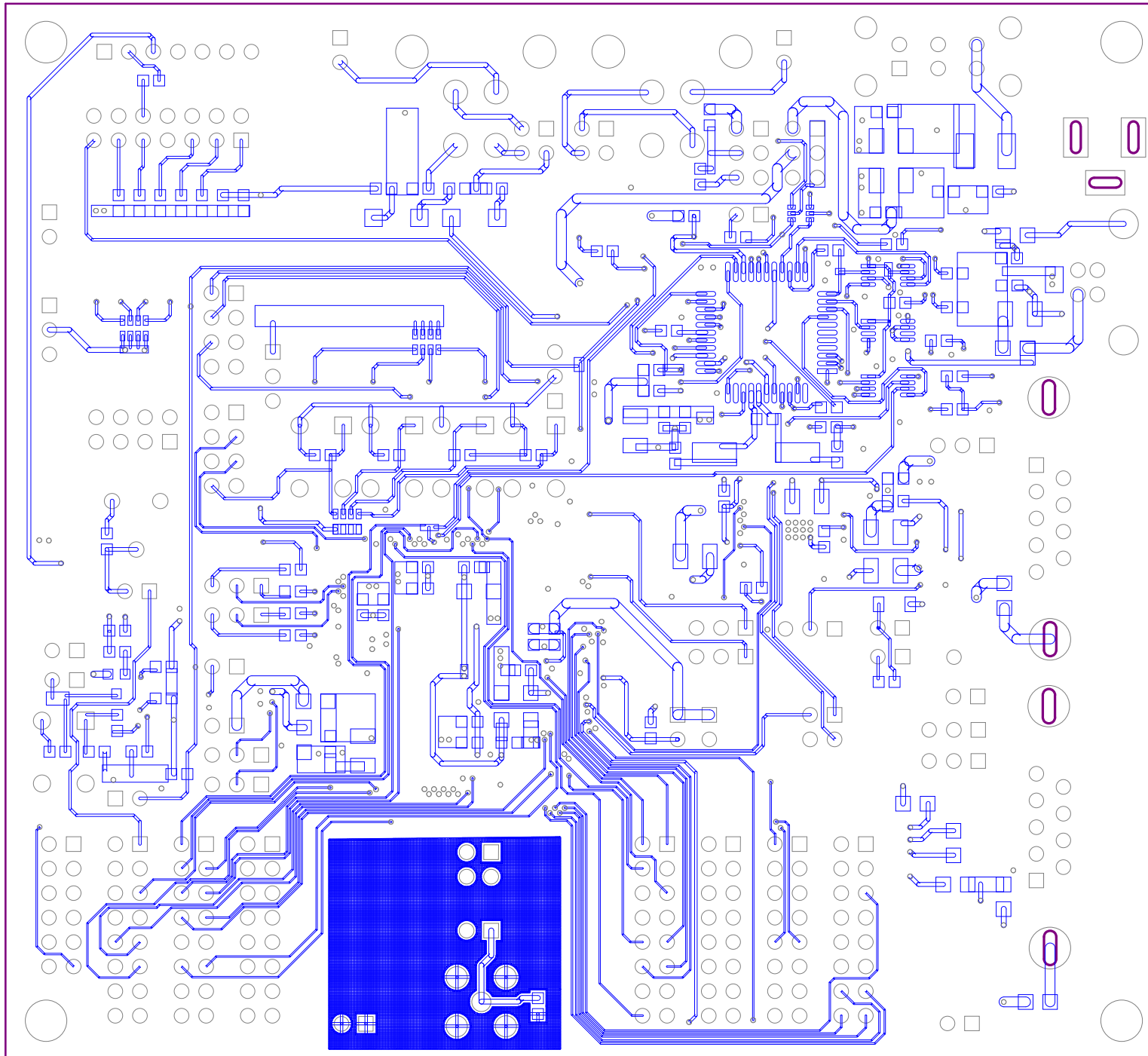








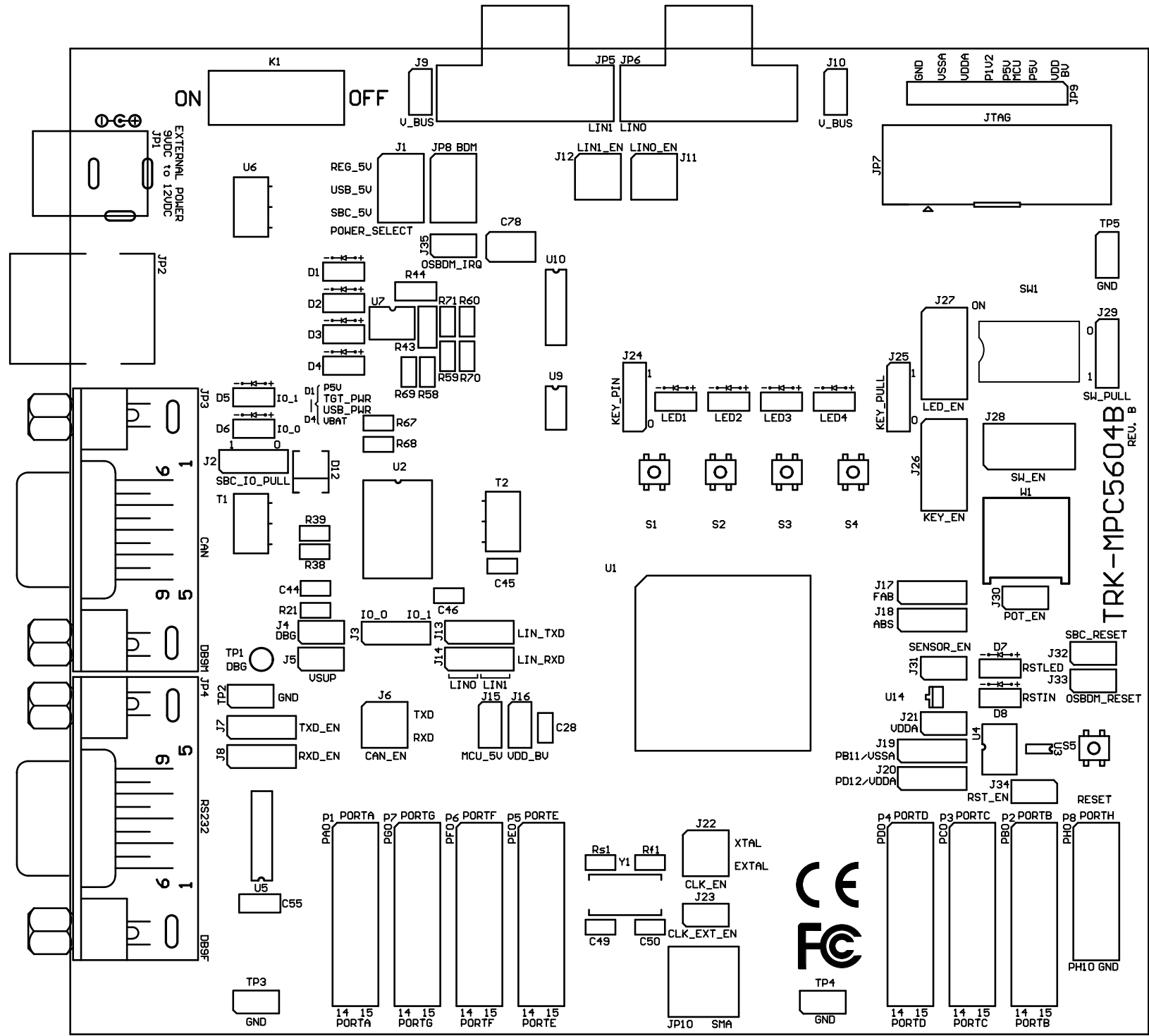






4700 (mil)

4300 (mil)



TRK-MPC5604B  
REV. B





