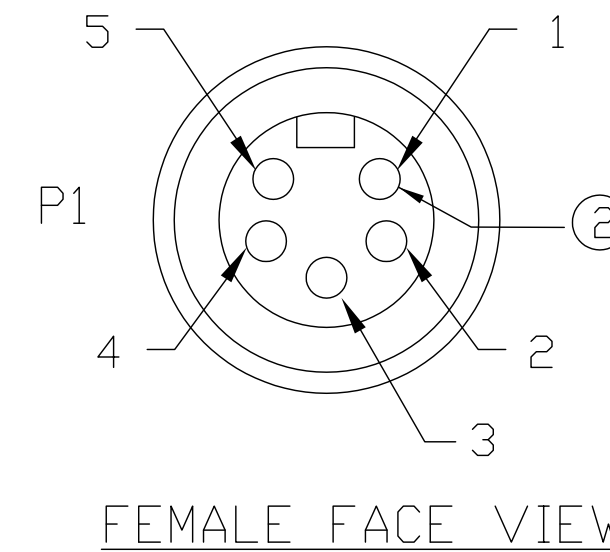
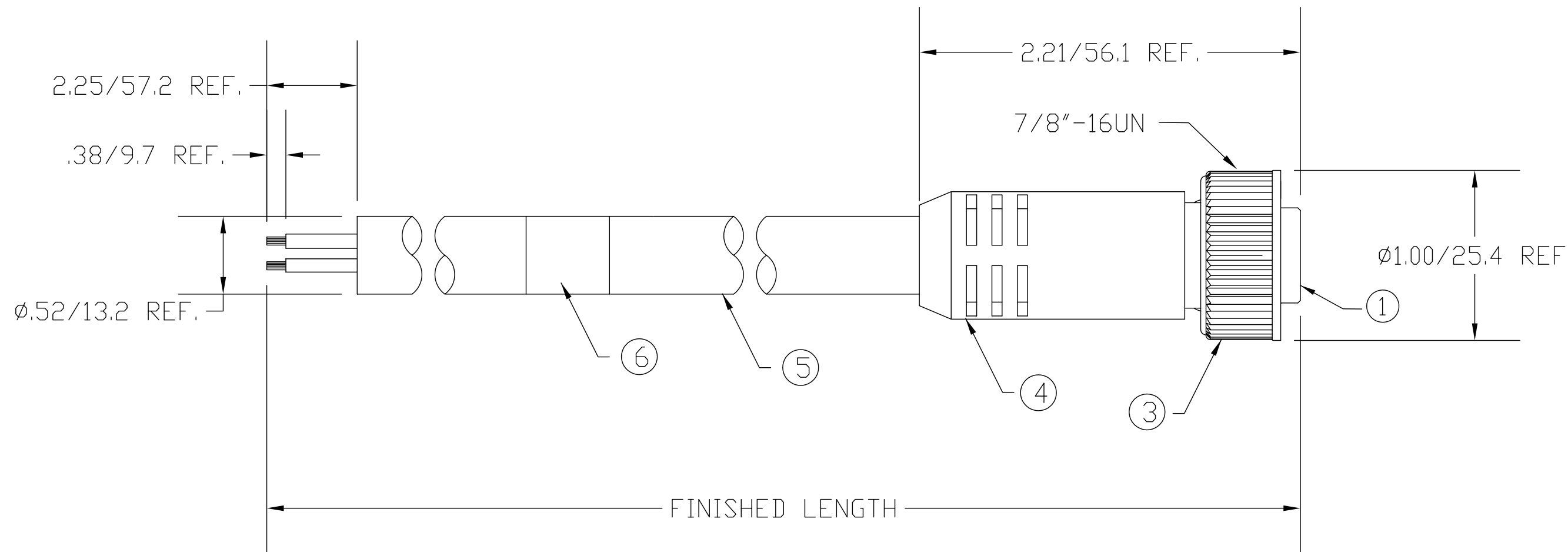
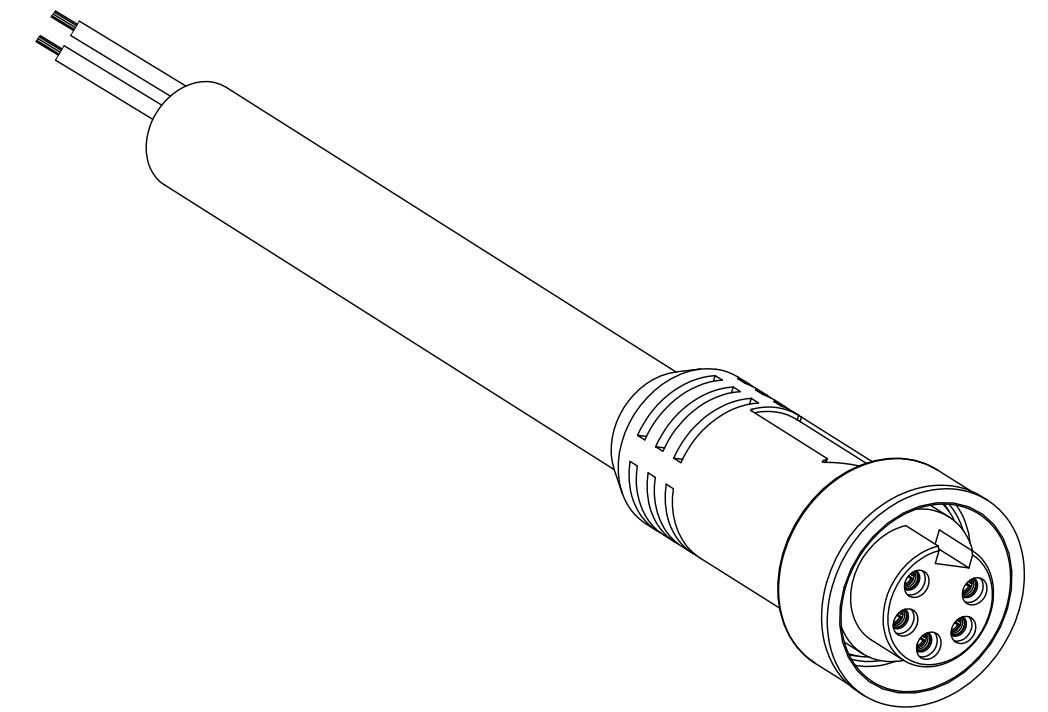


MATERIAL NUMBER	OLD PART NUMBER	FINISHED LENGTH
130006-1309	105000C01F030	3.00' +1.75" -0 [.9M +44.5 -0]
130006-1312	105000C01F060	6.00' +2.19" -0 [1.8M +55.6 -0]
130006-1314	105000C01F120	12.00' +3.50" -0 [3.7M +88.9 -0]
130006-1317	105000C01F200	20.00' +6.50" -0 [6.1M +165.1 -0]
130006-1320	105000C01F250	25.00' +12.50" -0 [7.6M +317.5 -0]



P1

1	RED WITH WHITE
2	RED
3	GREEN-GND
4	RED WITH ORANGE
5	RED WITH BLACK

WIRING DIAGRAM

VOLTAGE RATING	600 VAC/VDC
AMPERAGE RATING	8 AMPS
PROTECTION	IP67
OPERATING TEMPERATURE	-20°C TO 90°C
UL CERTIFICATIONS	UL RECOGNIZED, FILE NO. E46237
CSA CERTIFICATIONS	CSA CERTIFIED, FILE NO. LR6837

ITEM	COMPONENT	MATERIAL	FINISH
1	INSERT	PVC	YELLOW
2	CONTACT SOCKET	COPPER ALLOY	GOLD OVER NICKEL
3	COUPLING NUT	ZINC DIE CAST	BLACK E-COATED
4	OVERMOLD	PVC	YELLOW
5	CABLE- 16 AWG, (65 x #34 COPPER STRANDING) 5 CONDUCTOR 600V, UL SOO, CSA ST	RUBBER	YELLOW
6	LABEL	MYLAR	BLACK/YELLOW

RLSO DRAWING EC NO: WNA2010-0397 DRWN: BWOODMAN2009/12/28 CH'KD: LHARTMAN APPR: JFMURPHY 2010/01/05	QUALITY SYMBOL	GENERAL TOLERANCES (UNLESS SPECIFIED)	DIMENSION STYLE	SCALE	DESIGN UNITS	THIRD ANGLE PROJECTION															
	$\nabla=0$ $\sphericalangle=0$	<table border="1"> <tr> <th></th> <th>mm</th> <th>INCH</th> </tr> <tr> <td>4 PLACES</td> <td>±---</td> <td>±---</td> </tr> <tr> <td>3 PLACES</td> <td>±---</td> <td>±.005</td> </tr> <tr> <td>2 PLACES</td> <td>±0.13</td> <td>±.010</td> </tr> <tr> <td>1 PLACE</td> <td>±0.25</td> <td>±.020</td> </tr> </table>		mm	INCH	4 PLACES	±---	±---	3 PLACES	±---	±.005	2 PLACES	±0.13	±.010	1 PLACE	±0.25	±.020	IN/MM	1:1	INCH	
		mm	INCH																		
	4 PLACES	±---	±---																		
3 PLACES	±---	±.005																			
2 PLACES	±0.13	±.010																			
1 PLACE	±0.25	±.020																			
DESCRIPTION	ANGULAR ±1/2°	DRAWN BY DATE	TITLE	MINI-CHANGE 5P FP CORDSET AUTO 16/5 AWG SOO CABLE MOLEX INCORPORATED																	
REV	DRAFT WHERE APPLICABLE MUST REMAIN WITHIN DIMENSIONS	CHECKED BY DATE																			
A		APPROVED BY DATE		MATERIAL NO. SEE CHART DOCUMENT NO. SD-130006-022 SHEET NO. 1 OF 1																	
		SIZE	THIS DRAWING CONTAINS INFORMATION THAT IS PROPRIETARY TO MOLEX INCORPORATED AND SHOULD NOT BE USED WITHOUT WRITTEN PERMISSION																		