

> em4

Accessories

Temperature sensors

> Integrated converter: 0-10 V output for direct connection to the em4 analog inputs



Zone/space probe



Ventilation duct



External probe

Specific Characteristics						
Description	Range	Accuracy	Supply	Protection casing	Protection probe	Code
Zone/space probe	-10 → +40 °C	-0.2 °C +1.2 °C	24 V $\overline{\text{---}}$	IP30	-	89 750 150
Ventilation duct	-10 → +60 °C	-0.2 °C +1.9 °C	24 V $\overline{\text{---}}$	IP65	IP30	89 750 151
External probe	-10 → +40 °C	-0.2 °C +1.9 °C	24 V $\overline{\text{---}}$	IP65	-	89 750 152
Remote/submersible probe	-10 → +150 °C	-0.2 °C +1.2 °C	24 V $\overline{\text{---}}$	IP65	IP67	89 750 153

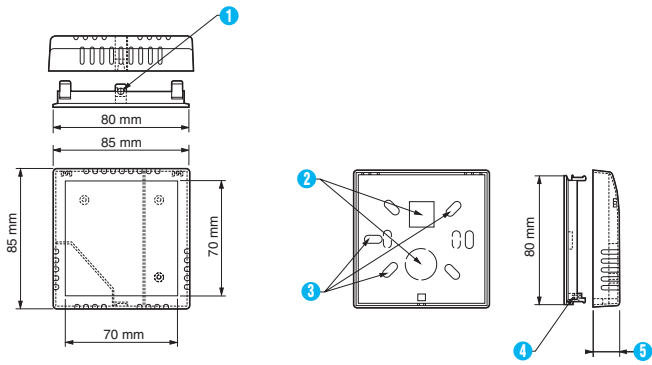
Accessories			
Description	Accuracy	Protection casing	Code
316 stainless steel protective sleeve	-20 → +400 °C	16 bar	89 750 147

General characteristics	
Environmental characteristics	
Ambient characteristics	-10 → +60 °C
Ambient humidity	5 → 95 % RH
Housing material	Self-extinguishing
Electrical characteristics	
Supply voltage	24 V $\overline{\text{---}}$ (± 10 %)
Output	0 → 10 V $\overline{\text{---}}$
Drift Temperature (%/ °C)	0.01 % / °C of full scale
Temperature coefficients Offset	1.5 mV / °C

Diagrams

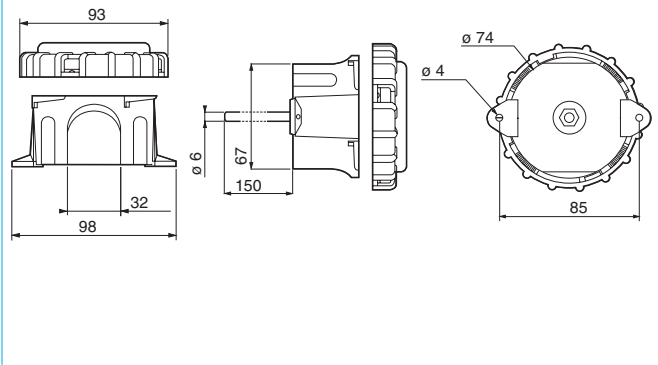
Dimensions (mm)

89 750 150

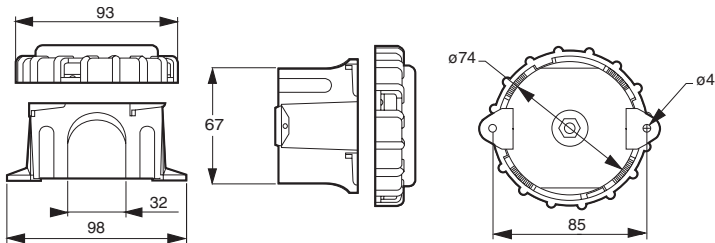


- 1 Ø3 mm for em4 x 8 screw
- 2 Cut-outs made prior to delivery
- 3 Fixing holes
- 4 Indentation for em4 square nut
- 5 Total depth 26 mm

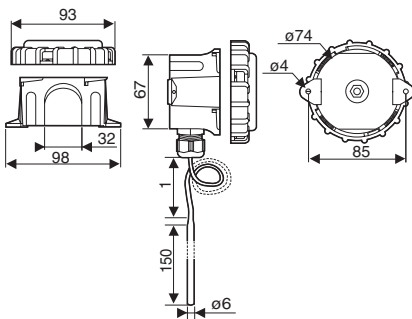
89 750 151



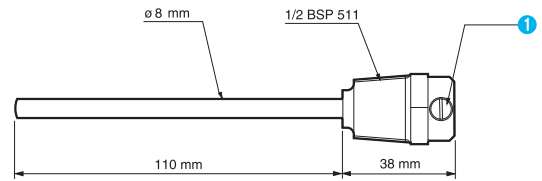
89 750 152



89 750 153



Accessory 89 750 147 for 89 750 153



- 1 M4 screw