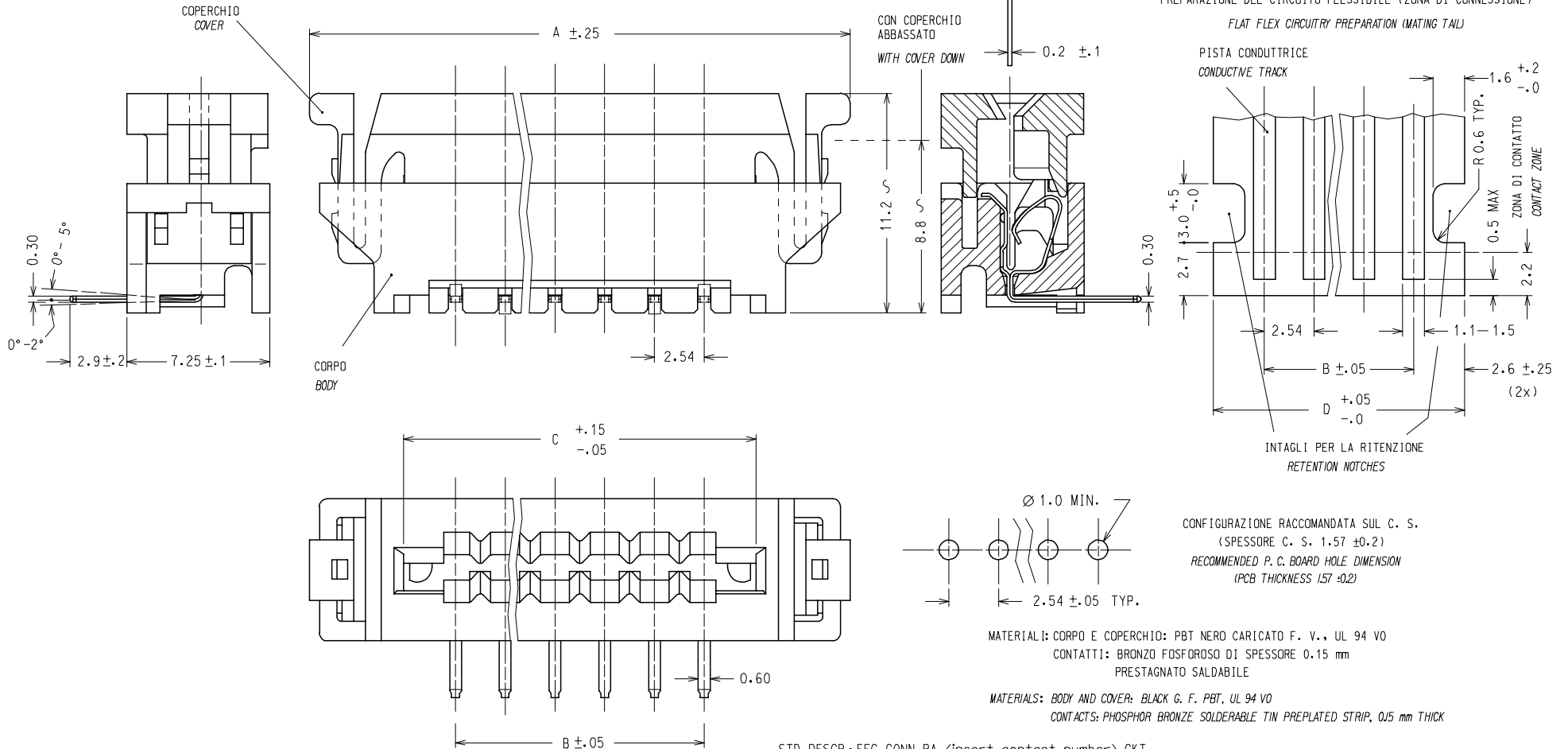


10 9 8 7 6 5 4 3 2 1

COPERCHIO ALZATO: I CONTATTI SONO APERTI PER UN AGEVOLE INSERIMENTO DEL CIRCUITO FLESSIBILE  
 COVER UP: CONTACTS ARE OPEN FOR AN EASY INSERTION OF THE FLEX CIRCUITRY  
 COPERCHIO ABBASSATO: I CONTATTI SONO PREMUTI CONTRO LE PISTE  
 COVER DOWN: CONTACTS ARE CLOSED ON THE TRACKS

CIRCUITO FLESSIBILE (SPESSORE TIPICO)  
 FLEX CIRCUITRY (TYPICAL THICKNESS)

PREPARAZIONE DEL CIRCUITO FLESSIBILE (ZONA DI CONNESSIONE)  
 FLAT FLEX CIRCUITRY PREPARATION (MATING TAIL)



NOTE: 1) IL PRODOTTO VIENE FORNITO IN TUBI (VEDI FOGLIO 2/2)  
 2) CARATTERISTICHE TECNICHE E FUNZIONALI COME DA PS 90500.  
 3) LUNGHEZZA MINIMA DI ESPOSIZIONE DELLE PISTE

NOTE: 1) PRODUCT WILL BE SUPPLIED PACKAGED IN A TUBE (SEE SHEET 2/2)  
 2) TECHNICAL CHARACTERISTICS AS INDICATED IN PS90500.  
 3) MINIMUM EXPOSED LENGTH OF TRACKS

STD. DESCR.: FFC CONN RA <insert contact number> CKT

|  |                               |  |   |                            |                    |  |                        |   |  |
|--|-------------------------------|--|---|----------------------------|--------------------|--|------------------------|---|--|
| EC NO: Z2005-0177<br>DRWNS:SBARBIER 2005/05/19<br>CHKD:RSANDANO 2005/05/20<br>APPR:FBISELLO 2005/05/20 | QUALITY SYMBOLS<br>▽=0<br>▽=0 | GENERAL TOLERANCES (UNLESS SPECIFIED)  |   | DIMENSION STYLE<br>MM ONLY |                    | SCALE<br>5:1                               | DESIGN UNITS<br>METRIC | FIRST ANGLE PROJECTION  |  |
|  |                               | 4 PLACES ± --- ± ---<br>3 PLACES ± --- ± ---<br>2 PLACES ± 0.05 ± ---<br>1 PLACE ± 0.10 ± ---<br>ANGULAR ± 2 ° | mm INCH<br>± --- ± ---<br>± --- ± ---<br>± 0.05 ± ---<br>± 0.10 ± --- | DRAWN BY<br>SBARBIER I     | DATE<br>1993/09/09 | TITLE<br>FFC CONNECTOR RIGHT ANGLE VERSION |                        |   |  |
| C1   | REV                           | DRAFT WHERE APPLICABLE MUST REMAIN WITHIN DIMENSIONS   |   | APPROVED BY<br>MPREVIATO   | DATE<br>1993/09/09 | MOLEX INCORPORATED                         |                        | SHEET NO.<br>1 OF 2   |  |
|  |                               | SIZE<br>A3   |   | SEE SHT 2                  |                    | DOCUMENT NO.<br>SD-90500-006               |                        | THIS DRAWING CONTAINS INFORMATION THAT IS PROPRIETARY TO MOLEX INCORPORATED AND SHOULD NOT BE USED WITHOUT WRITTEN PERMISSION |  |

9 8 7 6 5 4 3 2 1

10 9 8 7 6 5 4 3 2 1

| N° . DI CODICE<br>PART. NO. | ATTREZZAGGIO<br>TOOLING      | N° . VIE<br>CCT NO. | DIM "A" | DIM "B" | DIM "C" | DIM "D" | N° . CONN./TUBO<br>CONN. NO./TUBE | N° . CONN./SCATOLA<br>CONN. NO./BOX (SPQ) |
|-----------------------------|------------------------------|---------------------|---------|---------|---------|---------|-----------------------------------|---|
| 90500-4002                  | NON ATTREZZATO<br>NOT TOOLED | 2                   |         |         |         |         |                                   |   |
| 90500-4003                  | "                            | 3                   |         |         |         |         |                                   |   |
| 90500-4004                  | ATTREZZATO<br>TOOLED         | 4                   | 22.52   | 7.62    | 12.92   | 12.82   | 24                                | 3456                                      |
| 90500-4005                  | "                            | 5                   | 25.06   | 10.16   | 15.46   | 15.36   | 21                                | 3024                                      |
| 90500-4006                  | "                            | 6                   | 27.60   | 12.70   | 18.00   | 17.90   | 19                                | 2736                                      |
| 90500-4007                  | "                            | 7                   | 30.14   | 15.24   | 20.54   | 20.44   | 17                                | 2448                                      |
| 90500-4008                  | "                            | 8                   | 32.68   | 17.78   | 23.08   | 22.98   | 16                                | 2304                                      |
| 90500-4009                  | "                            | 9                   | 35.22   | 20.32   | 25.62   | 25.52   | 15                                | 2160                                      |
| 90500-4010                  | "                            | 10                  | 37.76   | 22.86   | 28.16   | 28.06   | 14                                | 2016                                      |
| 90500-4011                  | "                            | 11                  | 40.30   | 25.40   | 30.70   | 30.60   | 13                                | 1872                                      |
| 90500-4012                  | "                            | 12                  | 42.84   | 27.94   | 33.24   | 33.14   | 12                                | 1728                                      |
| 90500-4013                  | "                            | 13                  | 45.38   | 30.48   | 35.78   | 35.68   | 11                                | 1584                                      |
| 90500-4014                  | "                            | 14                  | 47.92   | 33.02   | 38.32   | 38.22   | 11                                | 1584                                      |
| 90500-4015                  | "                            | 15                  | 50.46   | 35.56   | 40.86   | 40.76   | 10                                | 1440                                      |
| 90500-4016                  | "                            | 16                  | 53.00   | 38.10   | 43.40   | 43.30   | 10                                | 1440                                      |
| 90500-4017                  | "                            | 17                  | 55.54   | 40.64   | 45.94   | 45.84   | 9                                 | 1296                                      |
| 90500-4018                  | "                            | 18                  | 58.08   | 43.18   | 48.48   | 48.38   | 9                                 | 1296                                      |
| 90500-4019                  | "                            | 19                  | 60.62   | 45.72   | 51.02   | 50.92   | 8                                 | 1152                                      |
| 90500-4020                  | "                            | 20                  | 63.16   | 48.26   | 53.56   | 53.46   | 8                                 | 1152                                      |

|  |                          |  |   |   |                                   |                        |
|--|--------------------------|--|---|---|-----------------------------------|------------------------|
| EC NO: Z2005-0177<br>DRWN:SBARBIER 2005/05/19<br>CHKD:RSANDANO 2005/05/20<br>APPR:FBISELLO 2005/05/20<br>REV DESCRIPTION | QUALITY SYMBOLS          | GENERAL TOLERANCES (UNLESS SPECIFIED)  | DIMENSION STYLE<br>MM ONLY  | SCALE<br>5:1  | DESIGN UNITS<br>METRIC            | FIRST ANGLE PROJECTION |
|  | $\nabla=0$<br>$\nabla=0$ | 4 PLACES ± --- ± ---<br>3 PLACES ± --- ± ---<br>2 PLACES ± 0.05 ± ---<br>1 PLACE ± 0.10 ± ---<br>ANGULAR ± 2 ° | mm INCH<br>DRAWN BY SBARBIER I DATE 1993/09/09<br>CHECKED BY DATE<br>APPROVED BY DATE<br>MPREVIATO 1993/09/09<br>MATERIAL NO. | TITLE   | FFC CONNECTOR RIGHT ANGLE VERSION |                        |
|  |                          | DRAFT WHERE APPLICABLE MUST REMAIN WITHIN DIMENSIONS   | SEE TABLE   | MOLEX INCORPORATED<br>DOCUMENT NO. SD-90500-006   |                                   | SHEET NO. 2 OF 2       |
|  | C1                       |  |   | THIS DRAWING CONTAINS INFORMATION THAT IS PROPRIETARY TO MOLEX INCORPORATED AND SHOULD NOT BE USED WITHOUT WRITTEN PERMISSION |                                   |                        |

9 8 7 6 5 4 3 2 1