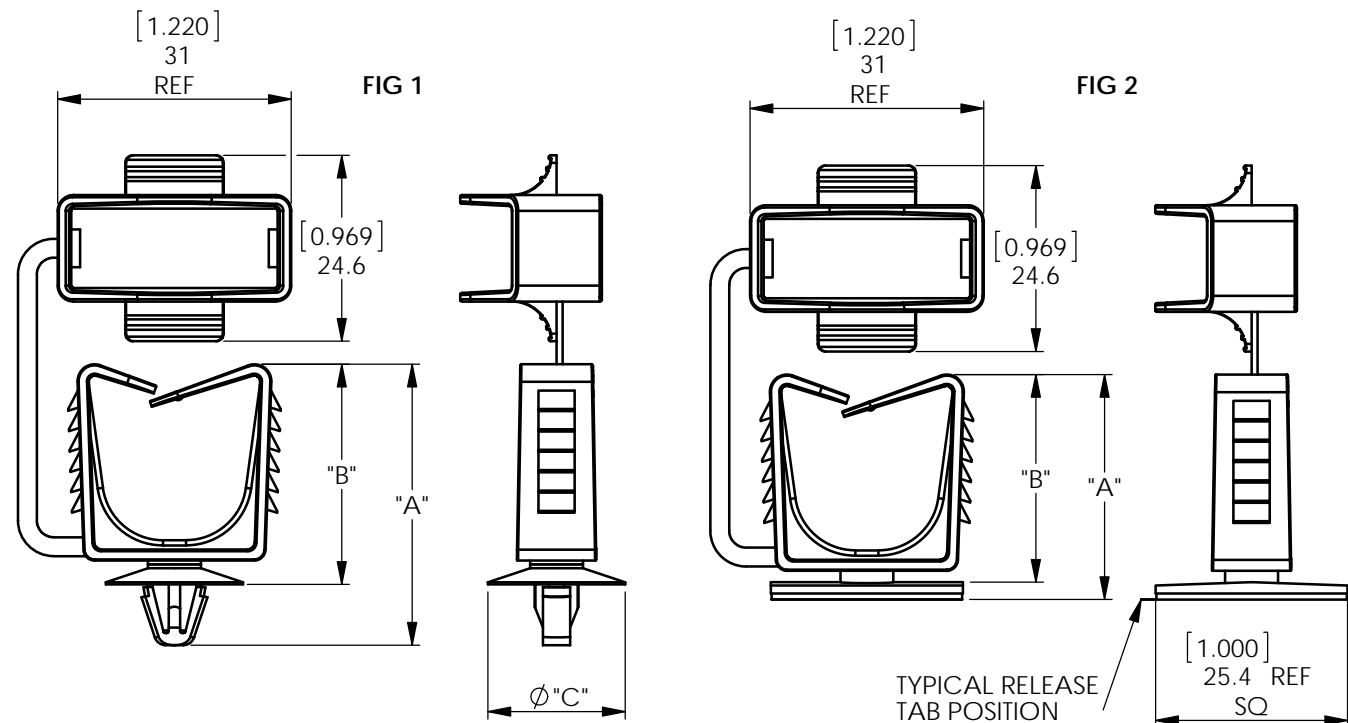


REV.	MODIFICATION.	DATE	DRN
01	PRODUCTION RELEASE	02/02/12	SF

PART NUMBER	MATERIAL: NYLON 6/6 UL94 V-2(RMS-01) COLOUR:NATURAL	MATERIAL: NYLON 6/6 UL94 V-2 UV STABILIZED(RMS-46) COLOUR:NATURAL	FIG	"A" REF	"B" MAX	"C"	MOUNTING HOLE	PANEL THICKNESS	CABLE BUNDLE
HCS1-01		HCS1-UVB	1	34[1.338]	29[1.141]	16[.629]	Ø4 - 4.8[.157 - .189]	0.4 - 1.6[.016 - .063]	Ø3 - 16[.118 - .629]
HCS2-01		HCS2-UVB		36.8 [1.448]	28.7[1.129]	18.2[.716]	Ø6 - 6.8[.236 - .267]	0.6 - 2.5[.0236 - .098]	
HCS3-01A4-RT		-	2	29.5[1.16]	27.5[1.082]	-			

ADHESIVE: RMS-24, DOUBLE SIDED ADHESIVE TAPE WITH RELEASE TAB
MATERIAL: NYLON 6/6 UL94 V-0(RMS-19)COLOUR: NATURAL AVAILABLE BY SPECIAL ORDER.



NOTE:
1. STRAP CAN EITHER BE ON THE LEFT OR RIGHT HAND OF PART.

ALTERNATE UNITS FOR REFERENCE ONLY

INFORMATION CONTAINED IN THIS DOCUMENT IS CONFIDENTIAL TO RICHCO INTERNATIONAL Co. Ltd. AND MAY NOT BE DISCLOSED OR REPRODUCED IN WHOLE OR PART WITHOUT THEIR WRITTEN CONSENT.

RICHCO, INC.
WWW.RICHCO-INC.COM

ALL DIMENSIONS IN mm
GENERAL TOLERANCES ±0.25
UNLESS OTHERWISE STATED
1 DECIMAL PLACE ±0.25
2 DECIMAL PLACES ± 0.10
ANGULAR ±1°

THIRD ANGLE

MATERIAL: SEE TABLE
COLOUR: SEE TABLE

DESCRIPTION: HINGED CABLE SADDLE
PART No: SEE TABLE

DRG No: 012-006
PROJECT NUMBER: EU12-0020
Mass:(g) 3.9
SHEET SIZE A4

DRN SF
DATE 03/02/12
CHKD TC
DATE 03/02/12
SCALE NTS
SHEET No. 1 OF 1