

signal
TRANSFORMER

a bel group

Power Transformers & High Frequency Magnetics

Your one source for all your magnetics needs!



Audio • Battery Chargers • Communication • Dental Equipment • Elevator Controls • Fire & Safety
Gaming • HVAC • Industrial Controls • Lighting • Medical • Motion Controls • Power Supplies
Security • Test & Measurement • Ultrasonic Products • Welding Equipment • X-Ray Equipment

Toll Free 1 866 239 5777 • 516 239 5777 • Fax 516 239 7208
www.signaltransformer.com • sales@signaltransformer.com



Signal Transformer: Your **ONE SOURCE** for **ALL** your Magnetics needs. The largest product offering for Standard and Custom Power Transformers and High Frequency Magnetics.

Signal Transformer has designed and manufactured standard and custom power transformers and magnetics since our founding in 1959 in Brooklyn, NY. Utilizing our global manufacturing, engineering, and logistics capabilities and the resources of our parent company **Bel Fuse Inc.** (NASDAQ: **BELFA & BELFB**), **Signal Transformer** is positioned to support your needs wherever you are located. At **Signal Transformer**, we are committed to providing the highest grade magnetics for customers who demand total reliability, on-time delivery, and competitive pricing. Year after year, engineers and buyers consistently choose **Signal Transformer** as their preferred source for magnetics. Since 1959, we've led the magnetics industry with innovation, creativity, and reliability by:

- Pioneering and perfecting direct sales of off-the-shelf transformers and chokes to the user
- Maintaining a large inventory — over 1,000 different models of chokes and transformers in stock from 1 VA to 10 KVA, available off-the-shelf or PRONTO™ shipment any time / every time
- Offering customized Stocking Programs, VMI and JIT
- Providing annual contract programs with competitive volume pricing
- Speedy service in obtaining the latest safety agency certifications including UL, CSA, VDE, IEC, EN, TUV, BSI, and CE for special customer needs
- **Signal Transformer** maintains an in-house **ISO 17025** certified lab that enables us to participate in the CSA “shared certification” program. This program makes possible to certify and use the **CSA / cCSAus** mark on new designs within days.

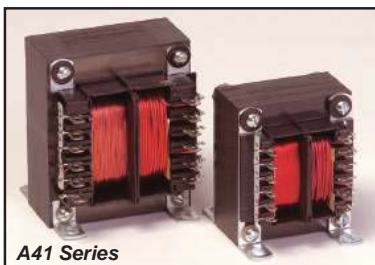
PRONTO™ 24-Hour Shipment

Our PRONTO shipment program is simple. We ship off-the-shelf products within 24 hours and, in most cases, the same day! **Signal** maintains an extensive finished goods inventory that enables us to ship small volume orders from stock within 24 hours. We are able to make this commitment because we constantly replenish our inventory through a computerized MRP system that computes inventory/production schedules to match our customer's requirements. Large production orders are conservatively scheduled to ensure meeting JIT or any delivery requirement, even those with tight lead times. In fact, each year over 20,000 orders are shipped to satisfied customers — on time, every time.



Design and Construction

Because we pride ourselves on listening to what our customers say, we at **Signal** have always been able to develop innovative, quality products to meet changing requirements. Our success has been built by continuously addressing all major concerns such as RoHS, flammability, voltage breakdown, high temperature materials, as well as design criteria such as:



A41 Series

- Smaller size and weight per VA (See our **MPI, SHE, HPI & M4L** series)
- Better performance through improved volumetric efficiency
- Superior suppression of radiated magnetic field (See our **STP, IF, LPI** series)
- Large VA, 3 Phase Transformers, Buck Boost / Isolation transformers in NEMA 3R enclosure (See our **3PH & ICT** series)
- High Frequency Magnetics designed for your specific application (see our **H** series)

Technical Support

Signal's staff of application engineers is one of the largest in the industry. Their extensive knowledge of regulatory and safety agency requirements insures expeditious handling of complex certification issues. Using the latest SPICE and CAD/CAM software, the Signal team stands ready to respond quickly to your unique, design and application needs. You can reach them for a consultation, or a request for quotation, by calling Toll Free (866) 239-5777, or (516) 239-5777. Fax requests should be sent to (516) 239-7208. The team can be emailed @ techhelp@signaltransformer.com.

©2015 Signal Transformer Inc. Specifications subject to change without notice. 07.15



www.signaltransformer.com

500 Bayview Avenue, Inwood, NY 11096
Toll Free 866-239-5777 • Tel 516-239-5777 • Fax 516-239-7208
sales@signaltransformer.com • techhelp@signaltransformer.com

Product Selector Guide

Find the Right Transformer for your Application

Chassis Mount



| Power Range (VA) | Secondary Voltage Range | Agency Approvals | Description | Product Family | Page Number |
|------------------|-------------------------|-----------------------|--------------------------------------|------------------|-------------|
| 250 - 2,500 | 115V - 230V | UL | Super High Efficiency | SHE | 4 |
| 1,250 - 3,500 | 115V - 230V | UL, CSA, VDE, TUV, CE | High Power International | HPI | 5 |
| 200 - 900 | 5V - 230VCT | UL, CSA, TUV, CE | Mult Purpose International | MPI | 6-7 |
| 100 - 2,000 | 5V - 230VCT (2 x 115V) | UL | Toroidal Power Transformers | STP | 8 |
| 300 - 1,000 | 115V | UL, CSA, VDE, CE | High Performance in Less Space | M4L | 9 |
| 25 - 175 | 5V - 230VCT | UL, CSA, VDE, CE | International Series | A41 | 10-11 |
| 25 - 175 | 5V - 230VCT | UL, CSA, VDE, CE | International Series with Lead Wires | A41-L | See website |
| 25 - 80* | 5VDC & ±12VDC or ±15VDC | UL, CSA, VDE, CE | International Series Triple Output | A41* | 12-13 |
| 25 - 80 | 12V - 24V | UL 5085-3, Class 2 | Class 2 | CL2 | 14-15 |
| 2.4 - 100 | 10VCT - 120VCT | UL, CSA | Split Bobbin Transformer | 241 & DP-241 | 16-17 |
| 2.4 - 100 | 10VCT - 120VCT | UL, CSA | Split Bobbin with Lead Wires | 241-L & DP-241-L | See website |
| 30 - 100* | 5VDC & ±12VDC or ±15VDC | UL, CSA | Split Bobbin Triple Output | MT & DMT* | 18-19 |

* Triple Output transformers are suitable for microprocessor and regulated power supply applications.

Printed Circuit Mount

| Power Range (VA) | Secondary Voltage Range | Agency Approvals | Description | Product Family | Page Number |
|------------------|-------------------------|--------------------|--|----------------|-------------|
| 2.5 - 56 | 5V - 36VCT | UL, CSA, VDE, CE | International Series | 14A | 20-21 |
| 20 - 56* | 5VDC & ±12VDC or ±15VDC | UL, CSA, VDE, CE | International Series Triple Output | 14A* | 22-23 |
| 2.5 - 50 | 12V - 24V | UL 5085-3, Class 2 | Class 2 | CL2 | 24-25 |
| 2.0 - 48 | 5V - 230VCT | UL, CSA | Low Profile | LP | 26-27 |
| 6.0 - 12* | 5VDC & ±12VDC or ±15VDC | UL, CSA | Low Profile Triple Output | MPL* | 28-29 |
| 2.0 - 30 | 5V - 230VCT | UL, CSA, VDE, CE | International Encapsulated Transformer | IF | 30-31 |
| 2.5 - 18 | 5V - 230VCT | UL, CSA, VDE, CE | International Encapsulated Low Profile Transformer | LPI | 32-33 |
| 1.1 - 36 | 5V - 120VCT | UL, CSA | Split Bobbin Transformer | ST/DST | 34-35 |
| 1.0 - 24 | 5V - 120VCT | UL, CSA | Miniature Transformer | PC/DPC | 36-37 |
| 10 - 24* | 5VDC & ±12VDC or ±15VDC | UL, CSA | Miniature Triple Output | MPC/DMPC* | 38-39 |

* Triple Output transformers are suitable for microprocessor and regulated power supply applications.

Supplemental Magnetics, Chokes, Rectifiers, Auto Transformers, Industrial Control, Three Phase & High Frequency Magnetics

| Power Range (VA) | Secondary Voltage Range | Description | Product Family | Page Number |
|------------------|----------------------------|--|----------------|-------------|
| 10 - 2,000 | 5VCT - 80VCT | Rectifiers - Power Transformers | DL | 40-44 |
| 100 - 2,000 | 115VCT - 230VCT | Auto Transformers | EB & OF | 45 |
| 200 - 900 | .12mH - 1000mH (1A - 200A) | Filters and Chokes | CH & CL | 46-47 |
| 250 - 10,000 | 12V - 480V | Step-Up / Step-Down Transformers | DU & SU | 48-49 |
| 500 - 3,600 | 12V - 480V | Industrial Control, Buck Boost, & Isolation in NEMA 3R Enclosure | ICT | 50-51 |
| 100 - 45,000 | 5V - 4000V | Three Phase Transformers | 3PH | 52 |
| — | — | High Frequency Transformers | H | 53 |
| — | — | Transformer Accessories and Connectors | — | 54-55 |

©2015 Signal Transformer Inc. Specifications subject to change without notice. 07.15



www.signaltransformer.com

500 Bayview Avenue, Inwood, NY 11096
 Toll Free 866-239-5777 • Tel 516-239-5777 • Fax 516-239-7208
 sales@signaltransformer.com • techhelp@signaltransformer.com

Super High Efficiency Transformers

High Reliability with Clean Efficient Power Transfer for Optimal Performance



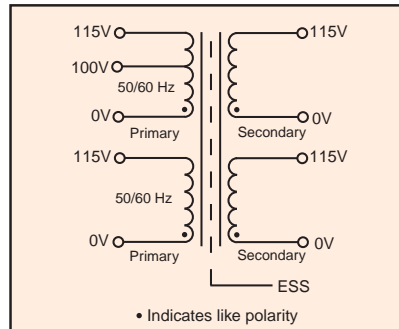
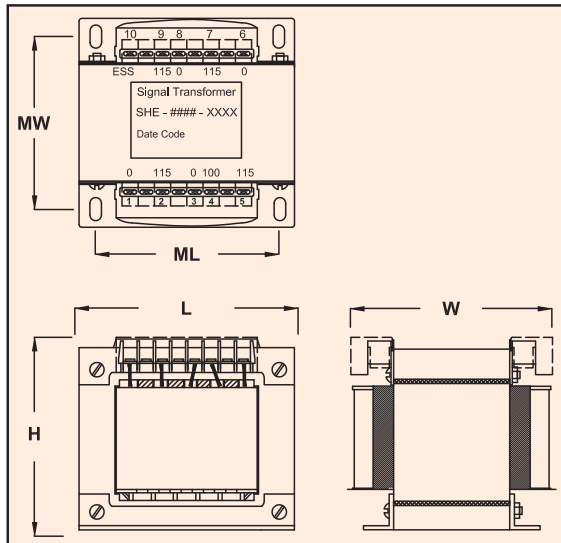
The SHE series of Super High Efficiency transformers are specifically designed to reduce power operational costs. By utilizing optimal quality core and conductor materials, SHE transformers achieve superior ratings which address the overall trend to go "green" with cleaner, more efficient use of power.

General Specifications

- Power - 250 VA to 2500 VA
- Dielectric Strength - 4000 Vrms Hipot
- Input - Dual / tapped windings
 - Parallel connection 100 V, 115 V 50/60Hz
 - Series connection 215 V, 230 V 50/60Hz
- Output - Dual windings
 - Parallel connection 115 V
 - Series connection 230 V
- Regulation 2.5% maximum
- Efficiency 97.5% minimum
- Temperature rise 60° C maximum
- Electrostatic Shield - Solid copper full width foil
- Touch-Safe terminals (IP20 type) offer a screw/binding clamp for hard wiring and a 3/16" & 1/4" Fast-On connection.
- Leakage Current @ <50 micro Amps
- Insulation System - Class H, 180° C
- Clean power with distortion free output

Agency Certifications

- UL 1446, File # E66312
- Compliant with the following domestic and international standards:
 - UL506 / UL5085
 - CSA C22.2, No. 66.2-06
 - VDE 0805 and VDE 0550
 - IEC / EN61558



| Part Number | VA | Secondary RMS Rating | |
|-------------|------|----------------------|--------------|
| | | Series | Parallel |
| SHE-250 | 250 | 230V @ 1.1A | 115V @ 2.2A |
| SHE-500 | 500 | 230V @ 2.2A | 115V @ 4.4A |
| SHE-750 | 750 | 230V @ 3.3A | 115V @ 6.6A |
| SHE-1000 | 1000 | 230V @ 4.3A | 115V @ 8.7A |
| SHE-1500 | 1500 | 230V @ 6.5A | 115V @ 13.0A |
| SHE-2000 | 2000 | 230V @ 8.7A | 115V @ 17.4 |
| SHE-2500 | 2500 | 230V @ 10.9A | 115V @ 21.8A |

| Part Number | VA | Mechanical Dimensions | | | | | Weight |
|-------------|------|-----------------------|-----------------|-----------------|-----------------|-----------------|------------------|
| | | L | W | H | ML | MW | |
| | | Inches (mm) | | | | | |
| SHE-250 | 250 | 5.40 (137.2) | 4.00 (101.6) | 4.75 (120.7) | 4.50 (114.3) | 2.88 (73.2) | 11.75 (5.33) |
| SHE-500 | 500 | 5.40 (137.2) | 5.00 (127.0) | 4.75 (120.7) | 4.50 (114.3) | 3.88 (98.6) | 17.56 (7.97) |
| SHE-750 | 750 | 5.40 (137.2) | 6.00 (152.4) | 4.75 (120.7) | 4.50 (114.3) | 4.88 (124.0) | 22.62 (10.26) |
| SHE-1000 | 1000 | 7.70 (195.6) | 5.50 (139.7) | 6.63 (168.4) | 5.75 (146.1) | 4.38 (111.3) | 34.80 (15.79) |
| SHE-1500 | 1500 | 7.70 (195.6) | 6.00 (152.4) | 6.63 (168.4) | 5.75 (146.1) | 4.75 (120.7) | 41.50 (18.82) |
| SHE-2000 | 2000 | 7.70 (195.6) | 6.50 (165.1) | 6.63 (168.4) | 5.75 (146.1) | 5.25 (133.4) | 48.02 (21.78) |
| SHE-2500 | 2500 | 7.70 (195.6) | 7.00 (177.8) | 6.63 (168.4) | 5.75 (146.1) | 5.75 (146.1) | 56.54 (25.65) |

Custom versions available upon request.

©2015 Signal Transformer Inc. Specifications subject to change without notice. 07.15



www.signaltransformer.com

500 Bayview Avenue, Inwood, NY 11096
 Toll Free 866-239-5777 • Tel 516-239-5777 • Fax 516-239-7208
 sales@signaltransformer.com • techhelp@signaltransformer.com

High Power International Transformers



Greater Performance in Less Space and Weight



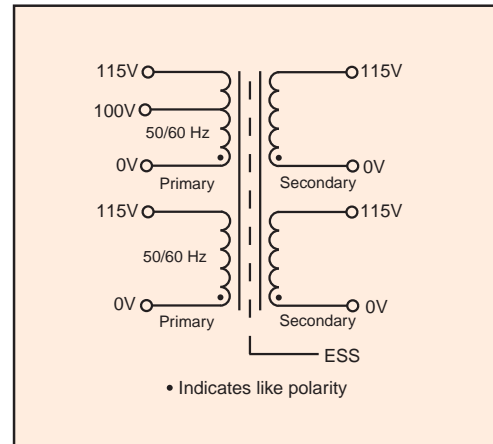
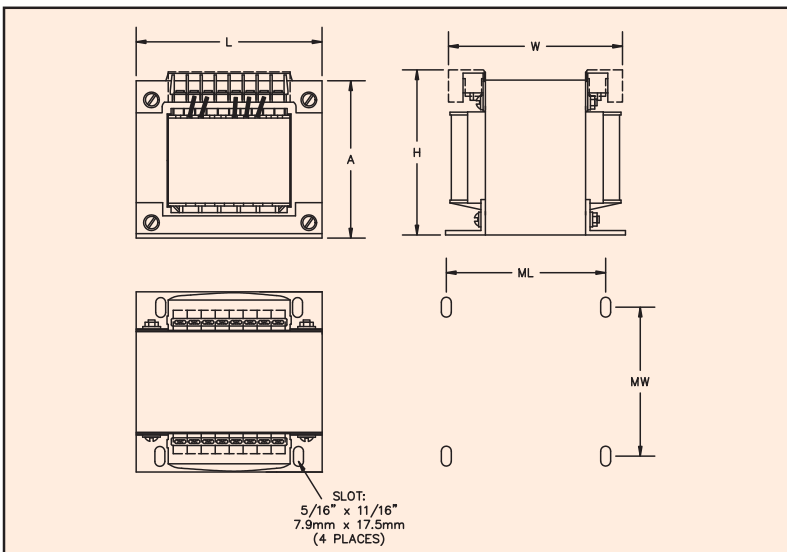
Constructed on a concentric platform, Signal's HPI series provides reinforced insulation while maintaining superior volumetric efficiency.

General Specifications

- Power - 1250, 1500, 1750, 2000, 2750 and 3500 VA ratings
- Dielectric Strength - 4.0Kv
- Available Input Voltage - 100V, 115V, 215V, 230V, 50/60Hz
- Output Voltage - 115/230V
- Touch-Safe terminals (IP20 type) offer a screw/binding clamp for hard wiring and a 3/16" & 1/4" Fast-On connection.
- Leakage Current @ <50 micro Amps
- Insulation System - UL Recognized Class H (180° C)
- Flammability Rating - UL 94-V0

Agency Certifications

- UL recognized to UL 506 / UL 5085-2, File # E63829, meets UL60601-1 construction
- CSA certified to C22.2 #66.1, File # 221070
- UL Insulation Systems 1446, E66312
- IEC / EN Standards IEC / EN 61558, VDE 0550, License # 2994
- TUV Rheinland Certified IEC / EN 60950, License # R9373110.2
- CE Compliance VDE Declaration of Conformity 73/23/EEC



| Part Number | Mechanical Dimensions | | | | | | |
|-------------|-----------------------|-----------------|-----------------|-----------------|-----------------|-----------------|------------------|
| | L | W | H | A | ML | MW | Weight |
| | Inches (mm) | | | | | | lbs (kg) |
| HPI-12* | 7.06 (179.3) | 5.1 (129.6) | 6.10 (154.9) | 6.03 (153.2) | 5.50 (139.7) | 3.69 (93.7) | 31.0 (14.07) |
| HPI-15* | 7.06 (179.3) | 5.5 (139.7) | 6.10 (154.9) | 6.03 (153.2) | 5.50 (139.7) | 4.03 (103.0) | 35.75 (16.23) |
| HPI-17* | 7.06 (179.3) | 5.89 (149.7) | 6.10 (154.9) | 6.03 (153.2) | 5.50 (139.7) | 4.48 (113.3) | 38.50 (17.50) |
| HPI-20 | 7.50 (190.5) | 5.26 (133.7) | 6.56 (166.5) | 6.25 (158.8) | 5.75 (146.1) | 4.35 (110.5) | 40.1 (18.16) |
| HPI-27 | 7.50 (190.5) | 5.89 (149.7) | 6.56 (166.5) | 6.25 (158.8) | 5.75 (146.1) | 4.98 (126.5) | 48.0 (21.77) |
| HPI-35 | 7.50 (190.5) | 6.99 (177.6) | 6.56 (166.5) | 6.25 (158.8) | 5.75 (146.1) | 6.08 (154.4) | 62.4 (28.30) |

| Part Number | VA | Secondary RMS Rating | |
|-------------|------|----------------------|--------------|
| | Size | Series | Parallel |
| HPI-12* | 1250 | 230V @ 5.4A | 115V @ 10.9A |
| HPI-15* | 1500 | 230V @ 6.5A | 115V @ 13.0A |
| HPI-17* | 1750 | 230V @ 7.6A | 115V @ 15.2A |
| HPI-20 | 2000 | 230V @ 8.7A | 115V @ 17.4A |
| HPI-27 | 2750 | 230V @ 12.0A | 115V @ 24.0A |
| HPI-35 | 3500 | 230V @ 15.2A | 115V @ 30.4A |

* All models have UL, CSA, TUV and VDE agency approvals except those marked with * which have TUV instead of VDE.

Custom versions available upon request.

©2015 Signal Transformer Inc. Specifications subject to change without notice. 07.15



500 Bayview Avenue, Inwood, NY 11096
Toll Free 866-239-5777 • Tel 516-239-5777 • Fax 516-239-7208
sales@signaltransformer.com • techhelp@signaltransformer.com

Multi-Purpose International Transformers



High Performance with Greater Volumetric Efficiency



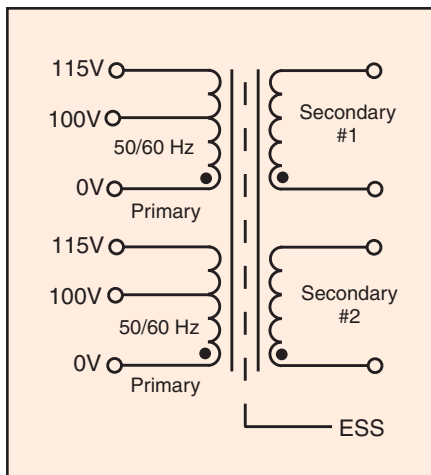
Signal's MPI transformers feature higher volumetric efficiency for improved performance compared with conventional 50/60Hz transformers. They also incorporate international safety features making them ideal for worldwide applications.

General Specifications

- Power - 200 VA to 900 VA
- Dielectric Strength - 4000 Vrms Hipot
- Primaries - Dual / tapped primaries 100 V, 115 V, 200 V, 215 V, 230 V - 50/60Hz
- Dual Secondaries - Series or parallel
- Electrostatic Shield - Solid copper full width foil
- Touch Safe IP20 Type Terminals - Quick connect 3/16" and optional 1/4" screw type terminals
- Leakage - <100 micro amps
- Insulation System - Class F, 155° C

Agency Certifications

- UL 1446, File # E66312
- UL recognized to UL 506 / UL 5085-2, File # E63829
- CSA certified to C22.2 No. 66.1, File # 221070
- Designed to meet VDE 0805 and VDE 0550
- TUV Rheinland certified to IEC EN61558-2-4 and EN61558-2-6, License # R72042497



| Part Number | Secondary | | Part Number | Secondary | |
|-------------|-----------------|---------------|-------------|------------------|---------------|
| | Series | Parallel | | Series | Parallel |
| MPI-200-10 | 10 VCT @ 20.0 A | 5 V @ 40.0 A | MPI-200-28 | 28 VCT @ 7.1 A | 14 V @ 14.2 A |
| MPI-250-10 | 10 VCT @ 25.0 A | 5 V @ 50.0 A | MPI-250-28 | 28 VCT @ 8.9 A | 14 V @ 17.9 A |
| MPI-300-10 | 10 VCT @ 30.0 A | 5 V @ 60.0 A | MPI-300-28 | 28 VCT @ 10.7 A | 14 V @ 21.4 A |
| MPI-400-10 | 10 VCT @ 40.0 A | 5 V @ 80.0 A | MPI-400-28 | 28 VCT @ 14.3 A | 14 V @ 28.6 A |
| MPI-650-10 | 10 VCT @ 65.0 A | 5 V @ 130.0 A | MPI-650-28 | 28 VCT @ 23.2 A | 14 V @ 46.4 A |
| MPI-900-10 | 10 VCT @ 90.0 A | 5 V @ 180.0 A | MPI-900-28 | 28 VCT @ 32.1 A | 14 V @ 64.2 A |
| MPI-200-12 | 12 VCT @ 16.7 A | 6 V @ 33.3 A | MPI-200-36 | 36 VCT @ 5.6 A | 18 V @ 11.2 A |
| MPI-250-12 | 12 VCT @ 20.8 A | 6 V @ 41.7 A | MPI-250-36 | 36 VCT @ 6.9 A | 18 V @ 13.8 A |
| MPI-300-12 | 12 VCT @ 25.0 A | 6 V @ 50.0 A | MPI-300-36 | 36 VCT @ 8.3 A | 18 V @ 16.7 A |
| MPI-400-12 | 12 VCT @ 33.3 A | 6 V @ 66.6 A | MPI-400-36 | 36 VCT @ 11.1 A | 18 V @ 22.2 A |
| MPI-650-12 | 12 VCT @ 54.2 A | 6 V @ 108.4 A | MPI-650-36 | 36 VCT @ 18.1 A | 18 V @ 36.2 A |
| MPI-900-12 | 12 VCT @ 75.0 A | 6 V @ 150.0 A | MPI-900-36 | 36 VCT @ 25.0 A | 18 V @ 50.0 A |
| MPI-200-16 | 16 VCT @ 12.5 A | 8 V @ 25.0 A | MPI-200-40 | 40 VCT @ 5.0 A | 20 V @ 10.0 A |
| MPI-250-16 | 16 VCT @ 15.6 A | 8 V @ 31.2 A | MPI-250-40 | 40 VCT @ 6.3 A | 20 V @ 12.6 A |
| MPI-300-16 | 16 VCT @ 18.8 A | 8 V @ 37.6 A | MPI-300-40 | 40 VCT @ 7.5 A | 20 V @ 15.0 A |
| MPI-400-16 | 16 VCT @ 25.0 A | 8 V @ 50.0 A | MPI-400-40 | 40 VCT @ 10.0 A | 20 V @ 20.0 A |
| MPI-650-16 | 16 VCT @ 40.6 A | 8 V @ 81.2 A | MPI-650-40 | 40 VCT @ 16.3 A | 20 V @ 32.6 A |
| MPI-900-16 | 16 VCT @ 56.3 A | 8 V @ 112.5 A | MPI-900-40 | 40 VCT @ 22.5 A | 20 V @ 45.0 A |
| MPI-200-20 | 20 VCT @ 10.0 A | 10 V @ 20.0 A | MPI-200-48 | 48 VCT @ 4.2 A | 24 V @ 8.3 A |
| MPI-250-20 | 20 VCT @ 12.5 A | 10 V @ 25.0 A | MPI-250-48 | 48 VCT @ 5.2 A | 24 V @ 10.4 A |
| MPI-300-20 | 20 VCT @ 15.0 A | 10 V @ 30.0 A | MPI-300-48 | 48 VCT @ 6.3 A | 24 V @ 12.6 A |
| MPI-400-20 | 20 VCT @ 20.0 A | 10 V @ 40.0 A | MPI-400-48 | 48 VCT @ 8.3 A | 24 V @ 16.7 A |
| MPI-650-20 | 20 VCT @ 32.5 A | 10 V @ 65.0 A | MPI-650-48 | 48 VCT @ 13.5 A | 24 V @ 27.1 A |
| MPI-900-20 | 20 VCT @ 45.0 A | 10 V @ 90.0 A | MPI-900-48 | 48 VCT @ 18.8 A | 24 V @ 37.5 A |
| MPI-200-24 | 24 VCT @ 8.3 A | 12 V @ 16.7 A | MPI-200-230 | 230 VCT @ 0.87 A | 115 V @ 1.7 A |
| MPI-250-24 | 24 VCT @ 10.4 A | 12 V @ 20.8 A | MPI-250-230 | 230 VCT @ 1.1 A | 115 V @ 2.2 A |
| MPI-300-24 | 24 VCT @ 12.5 A | 12 V @ 25.0 A | MPI-300-230 | 230 VCT @ 1.3 A | 115 V @ 2.6 A |
| MPI-400-24 | 24 VCT @ 16.7 A | 12 V @ 33.3 A | MPI-400-230 | 230 VCT @ 1.7 A | 115 V @ 3.4 A |
| MPI-650-24 | 24 VCT @ 27.1 A | 12 V @ 54.2 A | MPI-650-230 | 230 VCT @ 2.8 A | 115 V @ 5.6 A |
| MPI-900-24 | 24 VCT @ 37.5 A | 12 V @ 75.0 A | MPI-900-230 | 230 VCT @ 3.9 A | 115 V @ 7.8 A |

Custom versions available upon request.

©2015 Signal Transformer Inc. Specifications subject to change without notice. 07.15

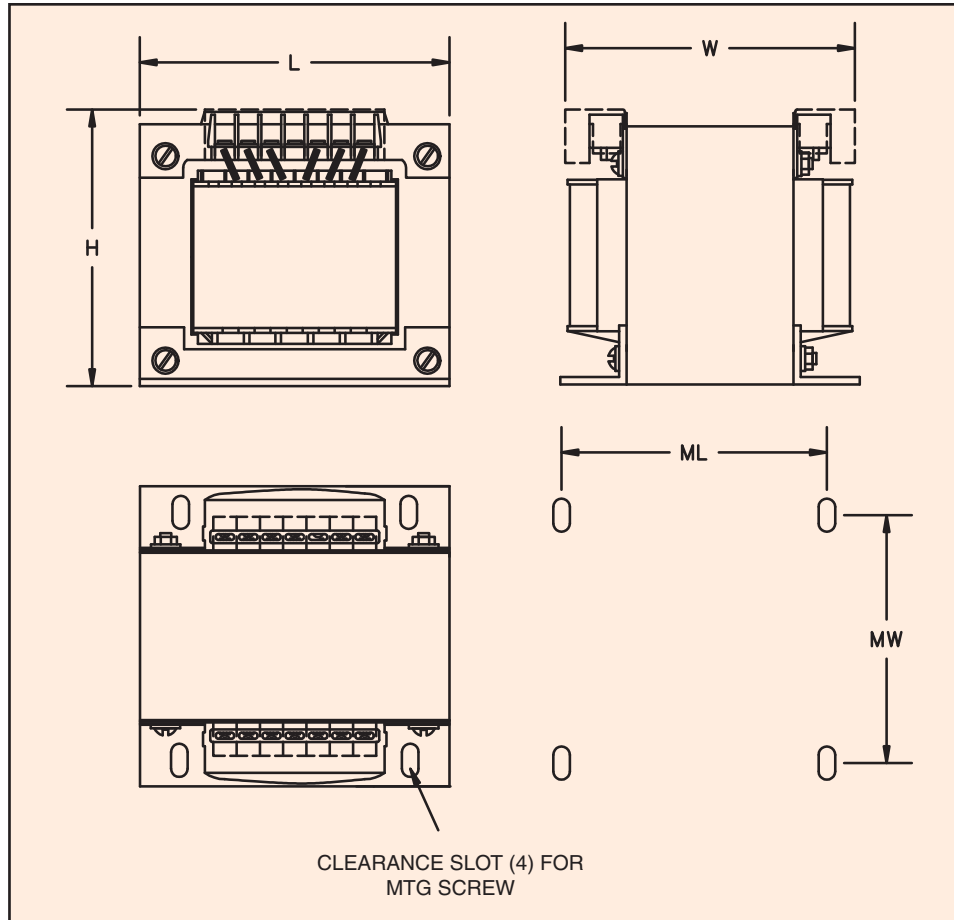


www.signaltransformer.com

500 Bayview Avenue, Inwood, NY 11096
 Toll Free 866-239-5777 • Tel 516-239-5777 • Fax 516-239-7208
 sales@signaltransformer.com • techhelp@signaltransformer.com

Multi-Purpose International Transformers

High Performance with Greater Volumetric Efficiency



| VA | Mechanical Dimensions | | | | | Weight | Slot Size |
|------|-----------------------|-----------------|-----------------|-----------------|-----------------|-----------------|-----------------------------|
| | L | W | H | ML | MW | | |
| Size | Inches (mm) | | | | | lbs (kg) | Inches (mm) |
| 200 | 3.75 (95.3) | 4.30 (109.2) | 3.66 (93.1) | 3.25 (82.6) | 2.80 (71.1) | 6.22 (2.82) | .203 x .375 (5.2 x 9.5) |
| 250 | 4.12 (104.8) | 4.13 (104.9) | 3.86 (98.2) | 3.62 (92.1) | 2.60 (66.1) | 6.76 (3.07) | .203 x .375 (5.2 x 9.5) |
| 300 | 4.12 (104.8) | 4.30 (109.2) | 3.86 (98.2) | 3.62 (92.1) | 2.91 (74.0) | 7.80 (3.54) | .203 x .375 (5.2 x 9.5) |
| 400 | 4.12 (104.8) | 5.04 (128.1) | 3.86 (98.2) | 3.62 (92.1) | 3.50 (89.0) | 9.82 (4.46) | .203 x .375 (5.2 x 9.5) |
| 650 | 5.25 (133.3) | 4.70 (119.4) | 4.63 (117.8) | 4.50 (114.3) | 3.41 (86.7) | 14.83 (6.73) | .281 x .563 (7.1 x 14.3) |
| 900 | 5.25 (133.3) | 5.50 (139.7) | 4.63 (117.8) | 4.50 (114.3) | 4.20 (106.8) | 19.84 (9.01) | .281 x .563 (7.1 x 14.3) |

Custom versions available upon request.

©2015 Signal Transformer Inc. Specifications subject to change without notice. 07.15



www.signaltransformer.com

500 Bayview Avenue, Inwood, NY 11096
 Toll Free 866-239-5777 • Tel 516-239-5777 • Fax 516-239-7208
 sales@signaltransformer.com • techhelp@signaltransformer.com

Machine Tool Transformers

Solutions for the heavy duty machine industry



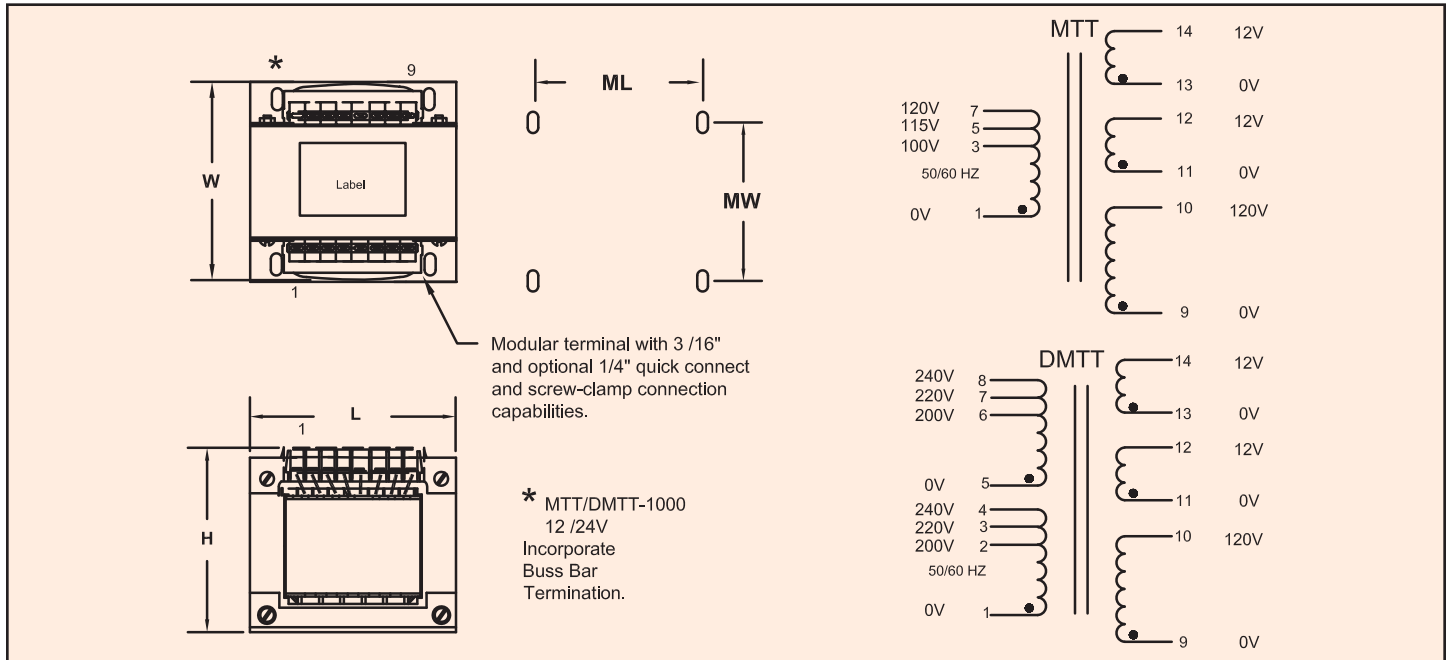
Designed to meet the requirements of commercial and heavy duty machine applications. Concentrically constructed platform provides both double reinforced insulation and volumetric efficiency.

General Specifications

- Power - 300, 650, and 1000 VA ratings
- Dielectric Strength - 4000 Vrms Hipot
- MTT Primaries - tapped single, 100, 115, 120V, 50/60 Hz
- DMTT Primaries - tapped dual configurations, 200, 220, 240, 400, 420, 440, 460, 480V, 50/60 Hz
- Secondary - 120V and 2 x 12V
- Touch Safe Terminals (IP20 Type) offer a screw/binding clamp for hard wiring and 3/16" and 1/4" Fast-On connection
- Insulation System - UL recognized Class F, 155° C
- Leakage - <100 micro amps

Agency Certifications:

- UL1446 File #E66312
- Compliant with the following domestic and international standards:
 - UL5085-1-2, UL 508, UL 60950, UL 197, UL 1262
 - IEC 60950, IEC 61558-2-4, IEC 61010-1
 - CSA 22.2 #66-1-2
 - VDE 0570, 0805, 0551, 0550 and CE



| Part Number | Combined Output VA max | Safety Low Voltage | | Isolated Voltage | Mechanical Dimensions | | | | | Weight lbs (kg) | |
|-------------|---------------------------|--------------------|----------------|------------------|-----------------------|------------------|------------------|-----------------|-----------------|--------------------|-----------------|
| | | Series | Parallel | | L | W | H | ML | MW | | |
| Inches (mm) | | | | | | | | | | | |
| MTT-300 | DMTT-300 | 300 | 24V CT @ 12.5A | 12V @ 25A | 120V @ 2.5A | 4.12* (104.8) | 5.04* (128.1) | 3.86 (98.2) | 3.62 (92.1) | 3.5 (89.0) | 9.82 (4.46) |
| MTT-650 | DMTT-650 | 650 | 24V CT @ 27A | 12V @ 54A | 120V @ 5.42A | 5.25 (133.3) | 5.5 (139.7) | 4.63 (117.8) | 4.50 (114.3) | 4.2 (106.8) | 19.84 (9.01) |
| MTT-1000 | DMTT-1000 | 1000 | 24V CT @ 41.7A | 12V @ 83.3A | 120V @ 8.33A | 7.06 (179.3) | 5.1 (129.6) | 6.1 (154.9) | 5.5 (139.7) | 3.69 (93.7) | 33.5 (15.2) |

* DMTT-300 on primary Dim L = 5.26 (133.6), D = 5.38 (136.6)

Custom versions available upon request.

©2015 Signal Transformer Inc. Specifications subject to change without notice. 07.15



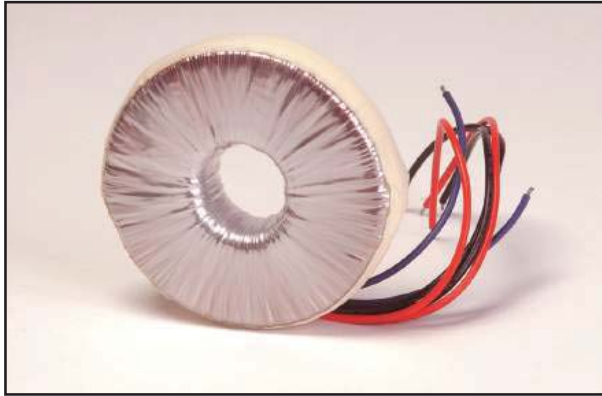
www.signaltransformer.com

500 Bayview Avenue, Inwood, NY 11096
 Toll Free 866-239-5777 • Tel 516-239-5777 • Fax 516-239-7208
 sales@signaltransformer.com • techhelp@signaltransformer.com

Signal Toroidal Power Transformers



Power in the Round 100 VA to 2000 VA



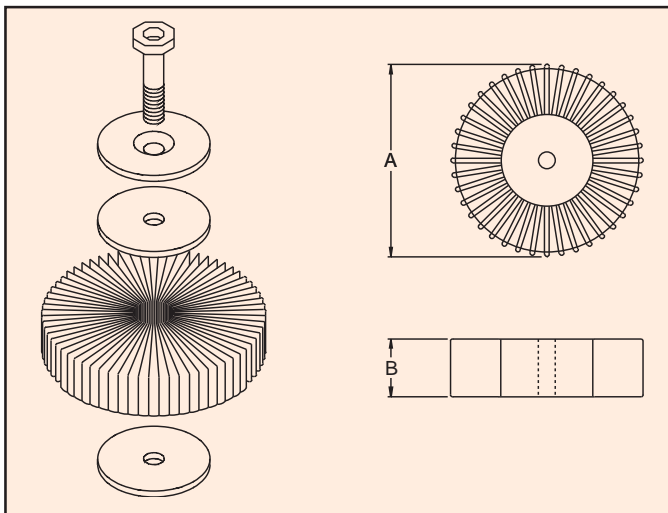
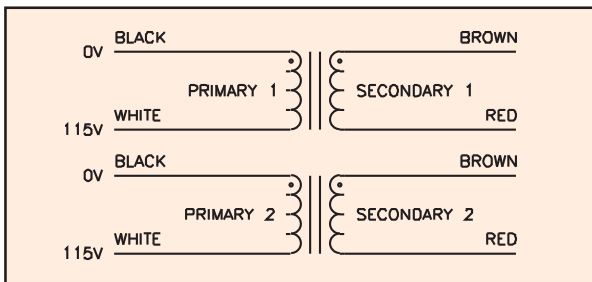
The STP series of transformers offer VA power ranges from 100 VA to 2000 VA inclusive. These standard transformer products share common lead lengths, colors, mounting configurations and more. The STP series are designed to comply with international safety standards.

Benefits

- Minimal core losses
- Low profile
- Power/mass efficient
- Reduced EMI
- Low dB
- RoHS compliant

General Specifications

- Power - 100 VA to 2000 VA
- Dual Primaries - 2 x 115 V - 50~400 Hz
- Dual Secondaries - Standard outputs 2 x 115V with multiple output configurations available
- Connections: 12.0" color-coded stranded leads
- Supplied with mounting hardware set; screw, nut, top plate and 2 rubber pads.
- Insulation System - Class B, 130° C
- Component certifications for North American and IEC/EN standards available on request
- UL recognized to UL 506 / UL 5085, File # E63829
- Custom designs available on request



Notes:

1. STP transformers having dual secondary windings may be ordered by specifying the power range, output voltage and current requirements. (A 250VA transformer with two 24V secondary windings = STP-0250-2024. A 1200 VA transformer with two 120V windings = STP-1200-2120.) Where dissimilar or multiple output configurations are required, please contact Customer Service for additional information. In all cases, a serialized part number will be assigned to the final product label.
2. The dimension profiles depicted for each VA range are for standard transformers with 2 x 115V output configurations. Dimensions of transformers with multiple outputs, dissimilar outputs or ELV outputs may vary.

| Part Number ¹ | Power Range | Dimensions ² Inches (mm) | | Weight | Recommended Fastener Size |
|--------------------------|-------------|-------------------------------------|----------|-------------|---------------------------|
| | VA | A | B | lbs (kg) | |
| STP-0100-2115 | 100 | 4.2 (105) | 1.4 (35) | 2.86 (1.3) | #8 |
| STP-0150-2115 | 150 | 4.6 (116) | 1.7 (42) | 4.40 (2.0) | #10 |
| STP-0200-2115 | 200 | 4.8 (120) | 1.9 (48) | 5.30 (2.4) | 1/4" |
| STP-0250-2115 | 250 | 5.0 (127) | 2.0 (50) | 6.40 (2.9) | 1/4" |
| STP-0300-2115 | 300 | 5.1 (128) | 2.2 (55) | 7.0 (3.2) | 1/4" |
| STP-0400-2115 | 400 | 5.3 (133) | 2.8 (70) | 10.3 (4.7) | 5/16" |
| STP-0500-2115 | 500 | 5.6 (140) | 2.9 (72) | 12.1 (5.5) | 3/8" |
| STP-0600-2115 | 600 | 6.1 (155) | 2.9 (72) | 14.8 (6.7) | 3/8" |
| STP-0800-2115 | 800 | 6.7 (170) | 2.9 (72) | 18.0 (8.2) | 3/8" |
| STP-1000-2115 | 1000 | 7.1 (180) | 3.1 (78) | 22.1 (10.0) | 3/8" |
| STP-1200-2115 | 1200 | 7.8 (198) | 3.2 (80) | 29.5 (13.4) | 3/8" |
| STP-1600-2115 | 1600 | 8.3 (210) | 3.4 (86) | 35.3 (16.0) | 1/2" |
| STP-2000-2115 | 2000 | 9.2 (232) | 3.6 (90) | 44.1 (20.0) | 1/2" |
| | TBD | TBD | TBD | TBD | Custom per customer spec |

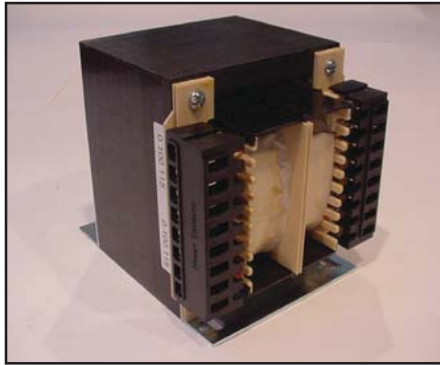
Custom versions available upon request.

©2015 Signal Transformer Inc. Specifications subject to change without notice. 07.15

More-4-Less™ International Transformers



Greater Performance in Less Space



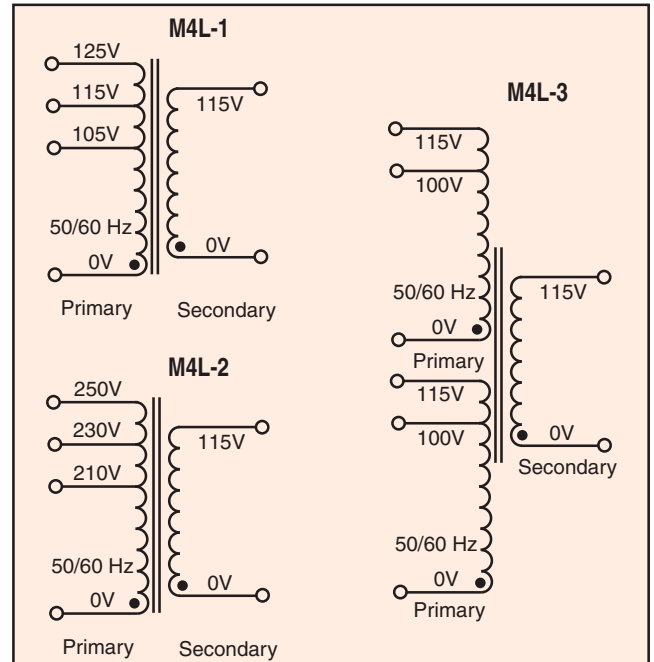
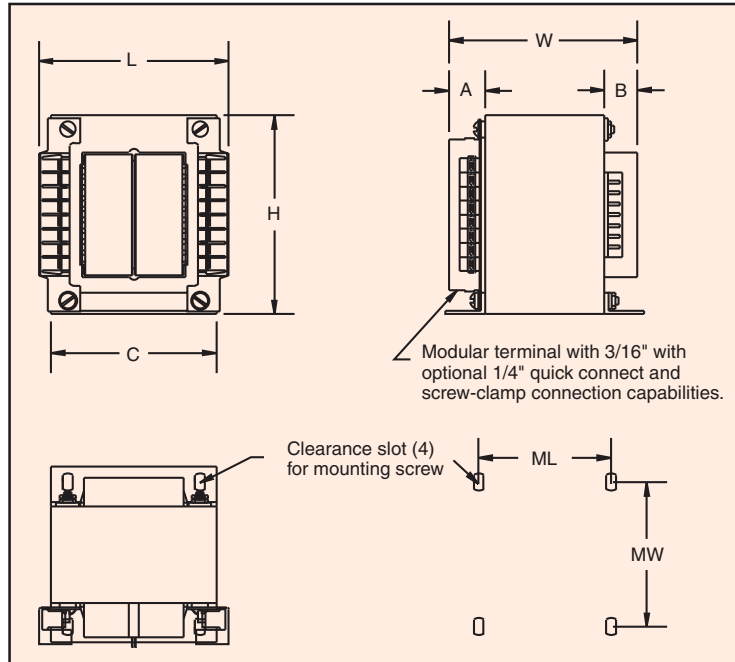
Boasting superior isolation, the M4L series of transformers provide more than 12mm creepage distance between the input and output windings. Constructed of materials to support up to 60°C ambient environments.

General Specifications

- Power - 300, 450, 600 and 1000VA ratings
- Dielectric Strength - 4.0Kv
- Available Input Voltage - 100V, 105V, 115V, 125V, 200V, 210V, 215V, 230V, 250V 50/60Hz
- Output voltage - 115V
- Touch-Safe terminals (IP20 type) offer a screw/binding clamp for hard wiring and a 3/16" & 1/4" Fast-On connection.
- Insulation System - Class F (155°C) UL 1446 File # E66312
- Leakage Current - agency tested @ <30 micro Amps
- Flame Rating - UL 94-V0

Agency Certifications

- UL Standards - UL 5085-1, UL 5085-2, UL 60601-1, UL 60950-1, UL 1097, UL 2097
- Meets - UL 864, UL 913, UL 916, UL 924, UL 1012, UL 1012, UL 1069 & UL 1238
- CSA Standards - 22.2 #66.1, File # 221070
- IEC / EN Standards - IEC / EN 60950, (VDE License 1447)
- CE Compliance - VDE Declaration of Conformity 73/23/EEC



| Part Number | | | VA | Sec RMS | L | W | H | A | B | C | ML | MW | Mounting Screw | Weight |
|-------------|----------|----------|------|-------------|---------------|---------------|--------------|-------------|-------------|--------------|-------------|--------------|----------------|-------------|
| | | | Size | Rating | | | | | | | | | | Inches (mm) |
| M4L-1-3 | M4L-2-3 | M4L-3-3 | 300 | 115V @ 2.6A | 4.20 (106.68) | 4.08 (103.51) | 3.75 (95.3) | 1.33 (33.8) | 0.62 (15.9) | 3.12 (79.4) | 2.50 (63.5) | 3.12 (79.4) | #10 | 7.0 (3.18) |
| M4L-1-4 | M4L-2-4 | M4L-3-4 | 450 | 115V @ 3.9A | 4.46 (113.28) | 4.33 (110) | 4.50 (114.3) | 1.33 (33.8) | 0.75 (19.1) | 3.75 (95.3) | 3.00 (76.2) | 3.25 (82.6) | #10 | 11.0 (5) |
| M4L-1-6 | M4L-2-6 | M4L-3-6 | 600 | 115V @ 5.2A | 4.46 (113.28) | 5.08 (129.03) | 4.50 (114.3) | 1.33 (33.8) | 0.75 (19.1) | 3.75 (95.3) | 3.00 (76.2) | 4.06 (103.2) | #10 | 14.3 (6.49) |
| M4L-1-10 | M4L-2-10 | M4L-3-10 | 1000 | 115V @ 8.7A | 4.89 (124.20) | 5.70 (144.78) | 5.25 (133.4) | 1.33 (33.8) | 0.87 (22.2) | 4.37 (111.1) | 3.50 (88.9) | 4.68 (119.1) | 1/4 | 22.0 (10.0) |

Custom versions available upon request.

©2015 Signal Transformer Inc. Specifications subject to change without notice. 07.15



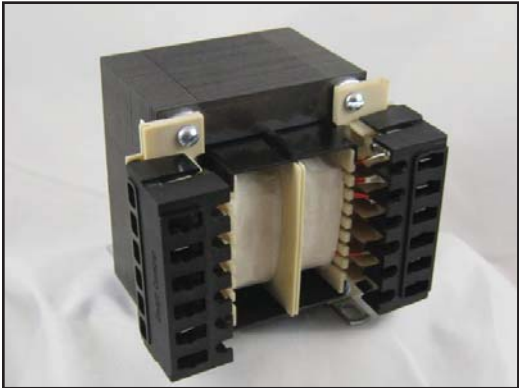
www.signaltransformer.com

500 Bayview Avenue, Inwood, NY 11096
 Toll Free 866-239-5777 • Tel 516-239-5777 • Fax 516-239-7208
 sales@signaltransformer.com • techhelp@signaltransformer.com

Signal 277V/120V Stepdown Transformers



Allows Installers to Derive a Fully Isolated 120V Source from a 277V Line



Ideal for power task lighting and service receptacles.

General Specifications

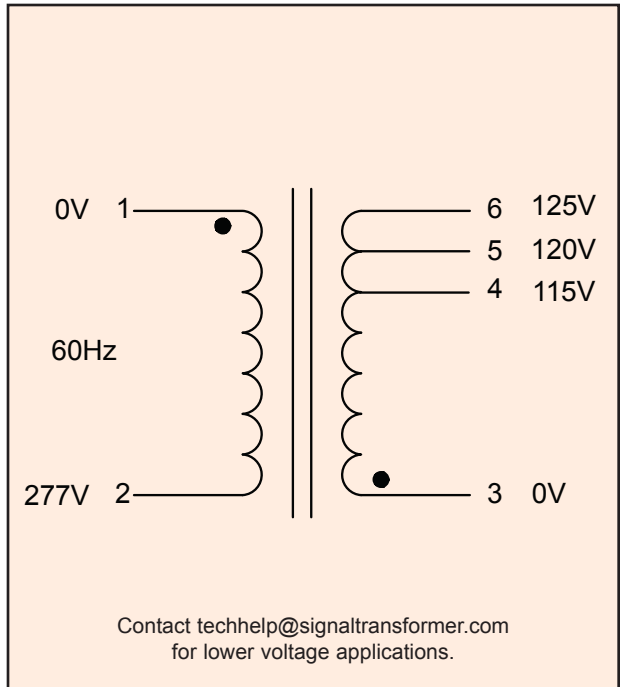
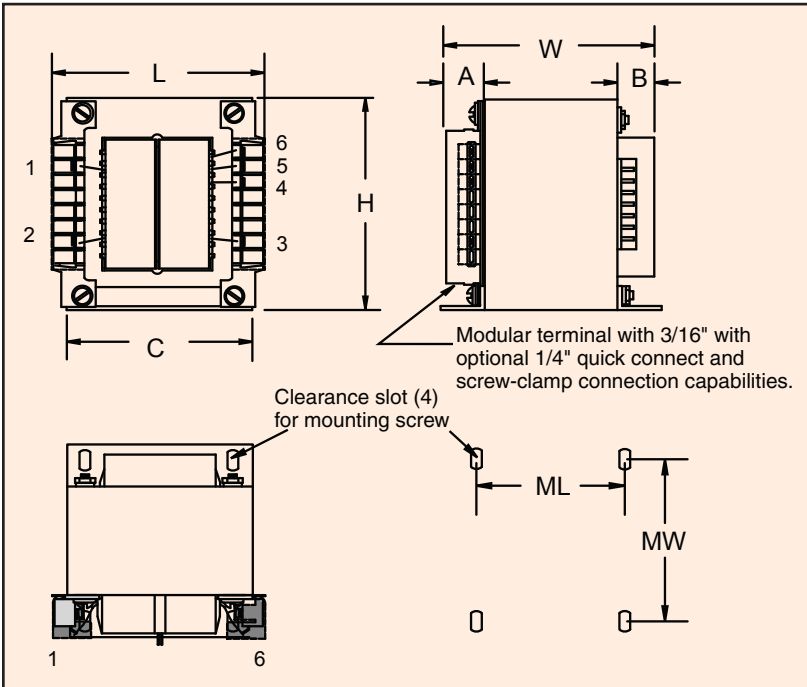
- Power - 300, 450, 600, and 1000VA ratings
- Dielectric Strength - 4000V
- Primary: 277V, 60 Hz
- Secondary: 120V with taps at 115V and 125V for high/low line adjustment
- Insulation System - UL 1446 Class F (155° C)
- Leakage Current - <30 uA
- Touch Safe terminals (IP20 type) offer a screw/binding clamp for hard wiring and 3/16" and 1/4" Fast-On connection
- Flame Rating - UL 94-V0

Agency Certifications:

- UL 1446 File #E66312
- Compliant with the following domestic and international standards
- UL5085-1-2, UL 506, UL 60950, UL 197, UL 1262
- IEC 60950, IEC 61558-2-4, IEC 61010-1
- CSA 22.2 #66-1-2
- VDE 0570, 0605, 0551, 0550
- CE



File #E66312



| Part Number | VA | Sec RMS | L | W | H | A | B | C | ML | MW | Mounting Screw | Weight |
|-------------|------|--------------|---------------|---------------|--------------|-------------|-------------|--------------|-------------|--------------|----------------|-------------|
| | Size | Rating | | | | | | | | | | Inches (mm) |
| SLT-300 | 300 | 120V @ 2.5A | 4.20 (106.68) | 4.08 (103.51) | 3.75 (95.3) | 1.33 (33.8) | 0.62 (15.9) | 3.12 (79.4) | 2.50 (63.5) | 3.12 (79.4) | #10 | 7.0 (3.18) |
| SLT-450 | 450 | 120V @ 3.8A | 4.46 (113.28) | 4.33 (110) | 4.50 (114.3) | 1.33 (33.8) | 0.75 (19.1) | 3.75 (95.3) | 3.00 (76.2) | 3.25 (82.6) | #10 | 11.0 (5) |
| SLT-600 | 600 | 120V @ 5A | 4.46 (113.28) | 5.08 (129.03) | 4.50 (114.3) | 1.33 (33.8) | 0.75 (19.1) | 3.75 (95.3) | 3.00 (76.2) | 4.06 (103.2) | #10 | 14.3 (6.49) |
| SLT-1000 | 1000 | 120V @ 8.33A | 4.89 (124.20) | 5.70 (144.78) | 5.25 (133.4) | 1.33 (33.8) | 0.87 (22.2) | 4.37 (111.1) | 3.50 (88.9) | 4.68 (119.1) | 1/4" | 22.0 (10.0) |

Custom versions available upon request.

©2015 Signal Transformer Inc. Specifications subject to change without notice. 07.15

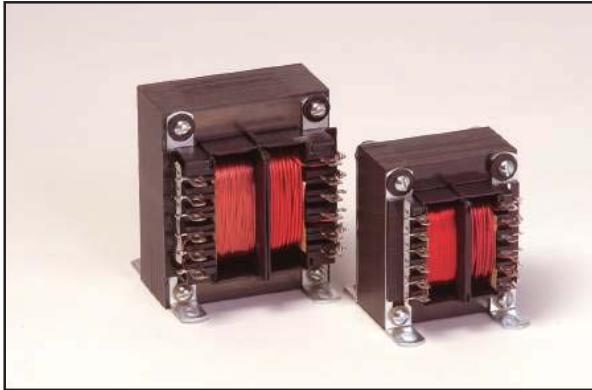


500 Bayview Avenue, Inwood, NY 11096
 Toll Free 866-239-5777 • Tel 516-239-5777 • Fax 516-239-7208
 sales@signaltransformer.com • techhelp@signaltransformer.com

All-4-One™ International Transformers Chassis Mount



International Standards at Lower Cost and Better Performance



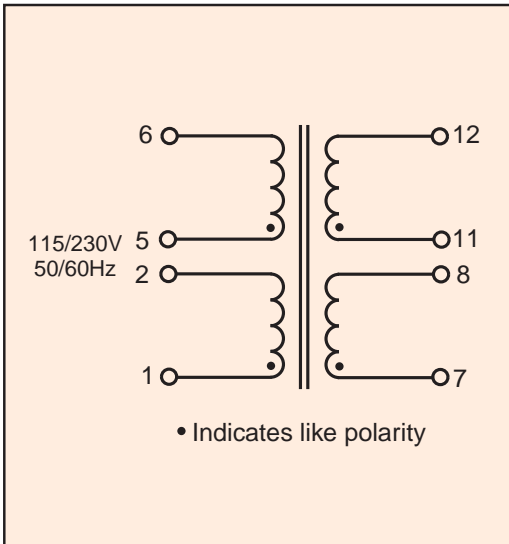
Designed to provide the high isolation, creepage and clearance necessary to comply with international safety standards.

General Specifications

- Power - 25 VA to 175 VA
- Dielectric Strength - 4000 Vrms Hipot
- Primaries - Dual primaries (115/230 V - 50/60 Hz)
- Dual Secondaries - Series or parallel
- Terminals - Solder lug / quick connect type terminals
- Leakage - Current meets UL 60601-1, IEC/EN 60601-1
- Insulation - Class F (155° C)
- Flammability Rating - Bobbin and shroud material meet UL 94-V0

Agency Certifications

- UL 1446 E66312
- UL recognized to UL 506 / UL 5085-2, File # E63829
- CSA certified to C22.2 No 66.1, File # 221070
- VDE certified to VDE 0805 / EN 60950, File # 1448



Note: VDE certified A41 Series transformers with standard length and color lead wires are readily available. See website for our A41-L product series.

| Part Number | VA | Secondary RMS Rating | |
|-------------|------|----------------------|--------------|
| | Size | Series | Parallel |
| A41-25-10 | 25 | 10.0 VCT @ 2.5A | 5.0V @ 5.0A |
| A41-43-10 | 43 | 10.0 VCT @ 4.3A | 5.0V @ 8.6A |
| A41-80-10 | 80 | 10.0 VCT @ 8.0A | 5.0V @ 16.0A |
| A41-130-10 | 130 | 10.0 VCT @ 13.0A | 5.0V @ 26.0A |
| A41-175-10 | 175 | 10.0 VCT @ 17.5A | 5.0V @ 35.0A |
| A41-25-12 | 25 | 12.6 VCT @ 2.0A | 6.3V @ 4.0A |
| A41-43-12 | 43 | 12.6 VCT @ 3.4A | 6.3V @ 6.8A |
| A41-80-12 | 80 | 12.6 VCT @ 6.3A | 6.3V @ 12.6A |
| A41-130-12 | 130 | 12.6 VCT @ 10.3A | 6.3V @ 20.6A |
| A41-175-12 | 175 | 12.6 VCT @ 14.0A | 6.3V @ 28.0A |
| A41-25-16 | 25 | 16.0 VCT @ 1.6A | 8.0V @ 3.2A |
| A41-43-16 | 43 | 16.0 VCT @ 2.7A | 8.0V @ 5.4A |
| A41-80-16 | 80 | 16.0 VCT @ 5.0A | 8.0V @ 10.0A |
| A41-130-16 | 130 | 16.0 VCT @ 8.1A | 8.0V @ 16.2A |
| A41-175-16 | 175 | 16.0 VCT @ 11.0A | 8.0V @ 22.0A |
| A41-25-20 | 25 | 20.0 VCT @ 1.25A | 10 V @ 2.5A |
| A41-43-20 | 43 | 20.0 VCT @ 2.2A | 10 V @ 4.4A |
| A41-80-20 | 80 | 20.0 VCT @ 4.0A | 10 V @ 8.0A |
| A41-130-20 | 130 | 20.0 VCT @ 6.5A | 10 V @ 13.0A |
| A41-175-20 | 175 | 20.0 VCT @ 8.8A | 10 V @ 17.6A |
| A41-25-24 | 25 | 24.0 VCT @ 1.0A | 12 V @ 2.0A |
| A41-43-24 | 43 | 24.0 VCT @ 1.8A | 12 V @ 3.6A |
| A41-80-24 | 80 | 24.0 VCT @ 3.3A | 12 V @ 6.6A |
| A41-130-24 | 130 | 24.0 VCT @ 5.4A | 12 V @ 10.8A |
| A41-175-24 | 175 | 24.0 VCT @ 7.3A | 12 V @ 14.6A |
| A41-25-28 | 25 | 28.0 VCT @ 0.9A | 14 V @ 1.86A |
| A41-43-28 | 43 | 28.0 VCT @ 1.5A | 14 V @ 3.0A |
| A41-80-28 | 80 | 28.0 VCT @ 2.8A | 14 V @ 5.6A |
| A41-130-28 | 130 | 28.0 VCT @ 4.6A | 14 V @ 9.2A |
| A41-175-28 | 175 | 28.0 VCT @ 6.25A | 14 V @ 12.5A |
| A41-25-36 | 25 | 36.0 VCT @ 0.7A | 18 V @ 1.4A |
| A41-43-36 | 43 | 36.0 VCT @ 1.2A | 18 V @ 2.4A |
| A41-80-36 | 80 | 36.0 VCT @ 2.2A | 18 V @ 4.4A |
| A41-130-36 | 130 | 36.0 VCT @ 3.6A | 18 V @ 7.2A |
| A41-175-36 | 175 | 36.0 VCT @ 4.8A | 18 V @ 9.6A |
| A41-25-230 | 25 | 230 VCT @ 0.11A | 115V @ 0.22A |
| A41-43-230 | 43 | 230 VCT @ 0.19A | 115V @ 0.38A |
| A41-80-230 | 80 | 230 VCT @ 0.35A | 115V @ 0.7A |
| A41-130-230 | 130 | 230 VCT @ 0.57A | 115V @ 1.14A |
| A41-175-230 | 175 | 230 VCT @ 0.76A | 115V @ 1.52A |

Custom versions available upon request.

©2015 Signal Transformer Inc. Specifications subject to change without notice. 07.15



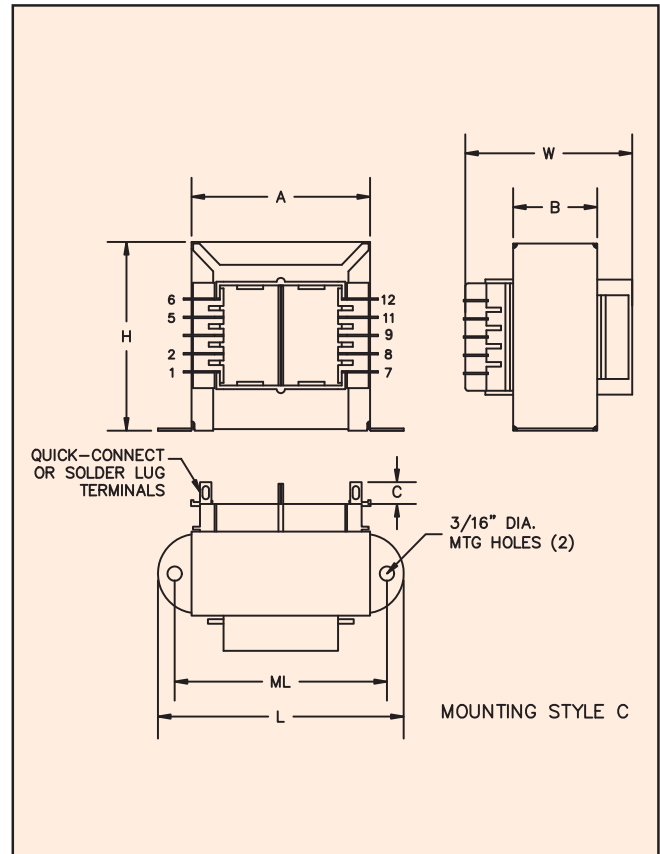
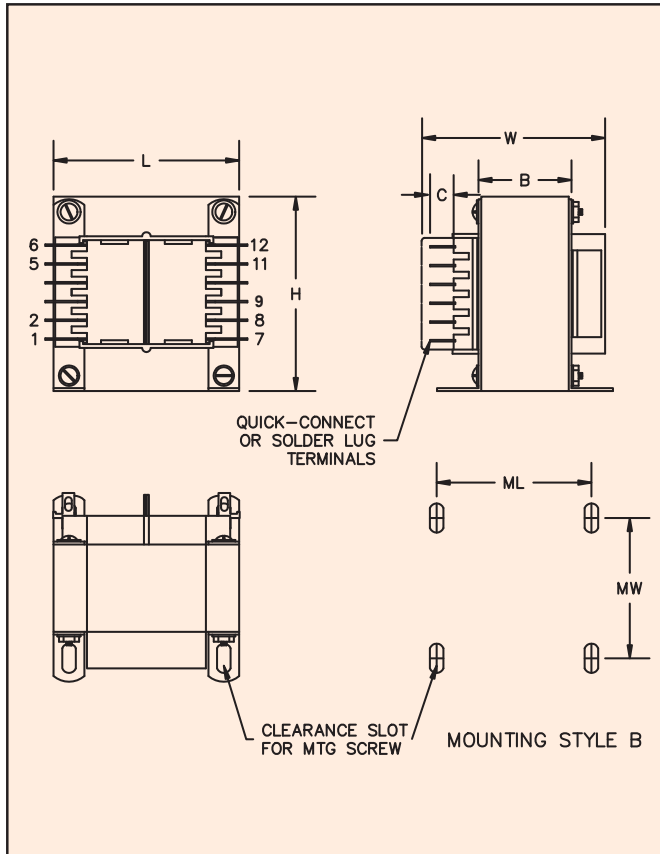
www.signaltransformer.com

500 Bayview Avenue, Inwood, NY 11096
Toll Free 866-239-5777 • Tel 516-239-5777 • Fax 516-239-7208
sales@signaltransformer.com • techhelp@signaltransformer.com

All-4-One™ International Transformers

Chassis Mount

International Standards at Lower Cost and Better Performance



| VA | Dimensions | | | | | | Terminals | Mounting Style | Mounting Dimensions | | Mounting Screw | Weight |
|------|-------------|-------------|-------------|-------------|-------------|-----------|-------------|----------------|---------------------|-------------|----------------|-----------------|
| | L | W | H | A | B | C | | | ML | MW | | |
| Size | Inches (mm) | | | | | | Inches (mm) | | | | | lbs (kg) |
| 25 | 2.81 (71.4) | 2.14 (54.4) | 2.31 (58.7) | 2.00 (50.8) | 1.12 (28.6) | .31 (7.9) | .187 (4.75) | C | 2.37 (60.3) | - | #6 | 1.25 lbs (0.57) |
| 43 | 3.12 (79.4) | 2.14 (54.4) | 2.68 (68.2) | 2.25 (57.2) | 1.12 (28.6) | .31 (7.9) | .187 (4.75) | C | 2.81 (71.4) | - | #6 | 1.6 lbs (0.73) |
| 80 | 2.50 (63.5) | 2.52 (64.3) | 3.06 (77.7) | - | 1.37 (35.0) | .31 (7.9) | .187 (4.75) | B | 2.00 (50.8) | 2.18 (55.5) | #6 | 2.8 lbs (1.27) |
| 130 | 2.81 (71.4) | 3.00 (76.2) | 3.37 (85.7) | - | 1.62 (41.3) | .37 (9.5) | 0.25 (6.35) | B | 2.25 (57.2) | 2.50 (63.5) | #8 | 4.1 lbs (1.86) |
| 175 | 3.12 (79.4) | 3.14 (79.7) | 3.75 (95.3) | - | 1.62 (41.3) | .37 (9.5) | 0.25 (6.35) | B | 2.50 (63.5) | 2.50 (63.5) | #8 | 5.5 lbs (2.49) |

Custom versions available upon request.

©2015 Signal Transformer Inc. Specifications subject to change without notice. 07.15



www.signaltransformer.com

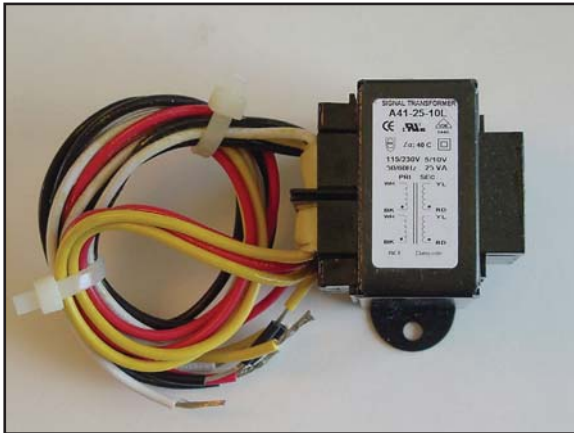
500 Bayview Avenue, Inwood, NY 11096
 Toll Free 866-239-5777 • Tel 516-239-5777 • Fax 516-239-7208
 sales@signaltransformer.com • techhelp@signaltransformer.com

All-4-One™ International Transformers

Chassis Mount with Lead Wires



International Standards at Lower Cost and Better Performance



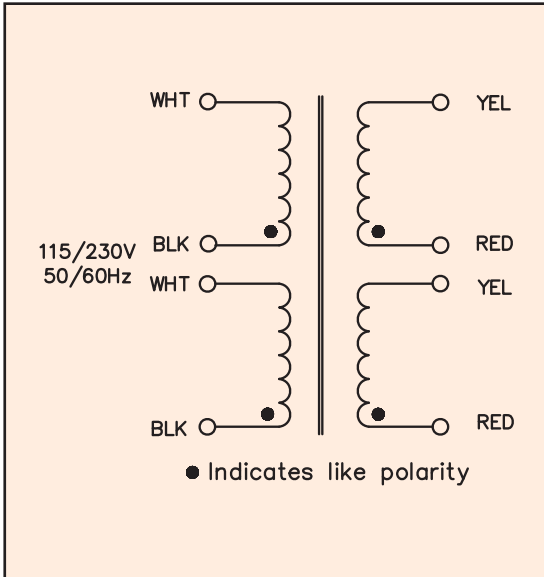
Designed to provide the high isolation, creepage and clearance necessary to comply with international safety standards.

General Specifications

- Power - 25 VA to 175 VA
- Dielectric Strength - 4000 VRMS Hipot
- Primaries - Dual primaries (115/230 V - 50/60 Hz)
- Dual Secondaries - Series or parallel
- Leakage - Current meets UL 60601-1, IEC/EN 60601-1
- Insulation - Class F (155 ° C)
- Flammability Rating - Bobbin and shroud material meet UL 94-V0

Agency Certifications

- UL 1446 E66312
- Recognized to UL 506 / UL 5085-2, CSA 22.2, No. 66-1 / 5085 File # E63829
- VDE certified to VDE 0805 / EN 60950, Reg-Nr-1448



Lead Wires

- Hook up lead wire style UL1015, CSA TEW
- Rated 600V -40° to +105° C
- Passes UL VW-1 (flame test)
- All primary lead wires are 18AWG UL 1015
- All lead wires are 12" in length

| Part Number | VA Size | Secondary RMS Rating | | Lead Wire Gauge |
|--------------|------------|----------------------|--------------|-----------------|
| | | Series | Parallel | Secondary |
| A41-25-10L | 25 | 10 VCT @ 2.5A | 5.0V @ 5.0A | 18AWG |
| A41-43-10L | 43 | 10 VCT @ 4.3A | 5.0V @ 8.6A | 18AWG |
| A41-80-10L | 80 | 10 VCT @ 8.0A | 5.0V @ 16.0A | 18AWG |
| A41-130-10L | 130 | 10 VCT @ 13.0A | 5.0V @ 26.0A | 16AWG |
| A41-175-10L | 175 | 10 VCT @ 17.5A | 5.0V @ 35.0A | 16AWG |
| A41-25-12L | 25 | 12.6 VCT @ 2.0A | 6.3V @ 4.0A | 18AWG |
| A41-43-12L | 43 | 12.6 VCT @ 3.4A | 6.3V @ 6.8A | 18AWG |
| A41-80-12L | 80 | 12.6 VCT @ 6.3A | 6.3V @ 12.6A | 18AWG |
| A41-130-12L | 130 | 12.6 VCT @ 10.3A | 6.3V @ 20.6A | 16AWG |
| A41-175-12L | 175 | 12.6 VCT @ 14.0A | 6.3V @ 28.0A | 16AWG |
| A41-25-16L | 25 | 16 VCT @ 1.6A | 8.0V @ 3.2A | 18AWG |
| A41-43-16L | 43 | 16 VCT @ 2.7A | 8.0V @ 5.4A | 18AWG |
| A41-80-16L | 80 | 16 VCT @ 5.0A | 8.0V @ 10.0A | 18AWG |
| A41-130-16L | 130 | 16 VCT @ 8.1A | 8.0V @ 16.2A | 16AWG |
| A41-175-16L | 175 | 16 VCT @ 11.0A | 8.0V @ 22.0A | 16AWG |
| A41-25-20L | 25 | 20 VCT @ 1.25A | 10V @ 2.5A | 18AWG |
| A41-43-20L | 43 | 20 VCT @ 2.2A | 10V @ 4.4A | 18AWG |
| A41-80-20L | 80 | 20 VCT @ 4.0A | 10V @ 8.0A | 18AWG |
| A41-130-20L | 130 | 20 VCT @ 6.5A | 10V @ 13.0A | 16AWG |
| A41-175-20L | 175 | 20 VCT @ 8.8A | 10V @ 17.6A | 16AWG |
| A41-25-24L | 25 | 24 VCT @ 1.0A | 12V @ 2.0A | 18AWG |
| A41-43-24L | 43 | 24 VCT @ 1.8A | 12V @ 3.6A | 18AWG |
| A41-80-24L | 80 | 24 VCT @ 3.3A | 12V @ 6.6A | 18AWG |
| A41-130-24L | 130 | 24 VCT @ 5.4A | 12V @ 10.8A | 16AWG |
| A41-175-24L | 175 | 24 VCT @ 7.3A | 12V @ 14.6A | 16AWG |
| A41-25-28L | 25 | 28 VCT @ 0.9A | 14V @ 1.86A | 18AWG |
| A41-43-28L | 43 | 28 VCT @ 1.5A | 14V @ 3.0A | 18AWG |
| A41-80-28L | 80 | 28 VCT @ 2.8A | 14V @ 5.6A | 18AWG |
| A41-130-28L | 130 | 28 VCT @ 4.6A | 14V @ 9.2A | 16AWG |
| A41-175-28L | 175 | 28 VCT @ 6.25A | 14V @ 12.5A | 16AWG |
| A41-25-36L | 25 | 36 VCT @ 0.7A | 18V @ 1.4A | 18AWG |
| A41-43-36L | 43 | 36 VCT @ 1.2A | 18V @ 2.4A | 18AWG |
| A41-80-36L | 80 | 36 VCT @ 2.2A | 18V @ 4.4A | 18AWG |
| A41-130-36L | 130 | 36 VCT @ 3.6A | 18V @ 7.2A | 18AWG |
| A41-175-36L | 175 | 36 VCT @ 4.8A | 18V @ 9.6A | 16AWG |
| A41-25-230L | 25 | 230 VCT @ 0.11A | 115V @ 0.22A | 18AWG |
| A41-43-230L | 43 | 230 VCT @ 0.19A | 115V @ 0.38A | 18AWG |
| A41-80-230L | 80 | 230 VCT @ 0.35A | 115V @ 0.7A | 18AWG |
| A41-130-230L | 130 | 230 VCT @ 0.57A | 115V @ 1.14A | 18AWG |
| A41-175-230L | 175 | 230 VCT @ 0.76A | 115V @ 1.52A | 18AWG |

Custom versions available upon request.

©2015 Signal Transformer Inc. Specifications subject to change without notice. 07.15



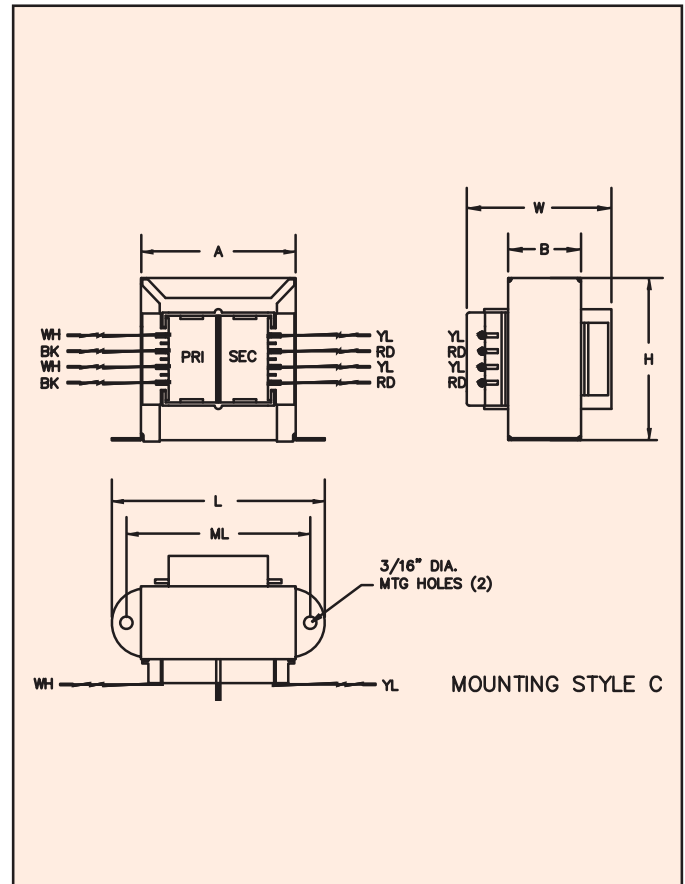
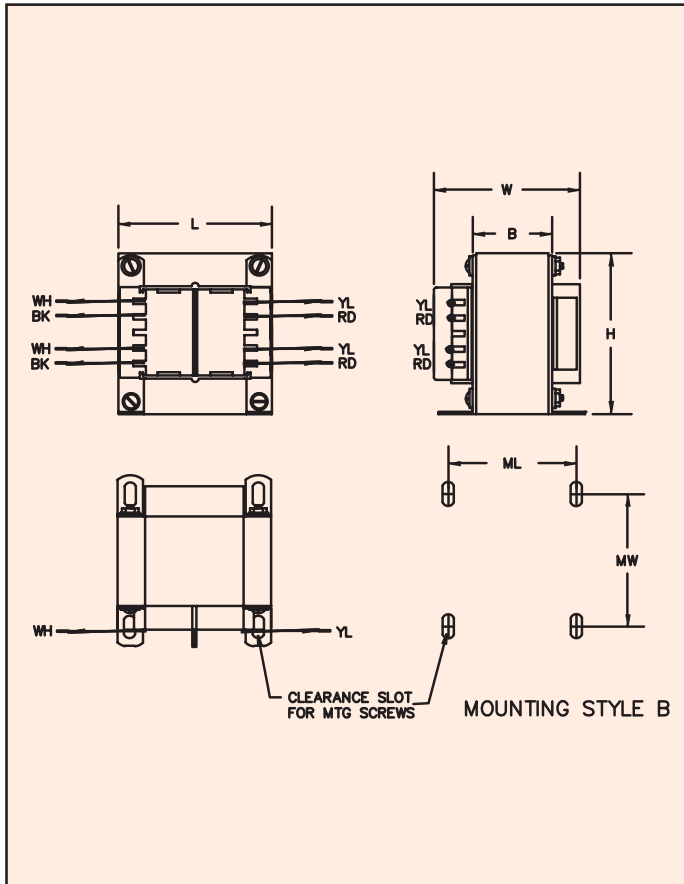
500 Bayview Avenue, Inwood, NY 11096
 Toll Free 866-239-5777 • Tel 516-239-5777 • Fax 516-239-7208
 sales@signaltransformer.com • techhelp@signaltransformer.com

All-4-One™ International Transformers

Chassis Mount with Lead Wires



International Standards at Lower Cost and Better Performance



| VA | Dimensions | | | | | Lead Wire Length Inches (mm) Standard | Mounting Style | Mounting Dimensions | | Mounting Screw | Weight lbs (kg) |
|------|-------------|-------------|-------------|-------------|-------------|---|----------------|---------------------|-------------|----------------|--------------------|
| | L | W | H | A | B | | | ML | MW | | |
| Size | Inches (mm) | | | | | | | | | | |
| 25 | 2.81 (71.4) | 2.14 (54.4) | 2.31 (58.7) | 2.00 (50.8) | 1.12 (28.6) | 12.0 (304.80) | C | 2.37 (60.3) | - | #6 | 1.25 lbs (0.57) |
| 43 | 3.12 (79.4) | 2.14 (54.4) | 2.68 (68.2) | 2.25 (57.2) | 1.12 (28.6) | 12.0 (304.80) | C | 2.81 (71.4) | - | #6 | 1.6 lbs (0.73) |
| 80 | 2.50 (63.5) | 2.52 (64.3) | 3.06 (77.7) | - | 1.37 (35.0) | 12.0 (304.80) | B | 2.00 (50.8) | 2.18 (55.5) | #6 | 2.8 lbs (1.27) |
| 130 | 2.81 (71.4) | 3.00 (76.2) | 3.37 (85.7) | - | 1.62 (41.3) | 12.0 (304.80) | B | 2.25 (57.2) | 2.50 (63.5) | #8 | 4.1 lbs (1.86) |
| 175 | 3.12 (79.4) | 3.14 (79.7) | 3.75 (95.3) | - | 1.62 (41.3) | 12.0 (304.80) | B | 2.50 (63.5) | 2.50 (63.5) | #8 | 5.5 lbs (2.49) |

Custom versions available upon request.

©2015 Signal Transformer Inc. Specifications subject to change without notice. 07.15

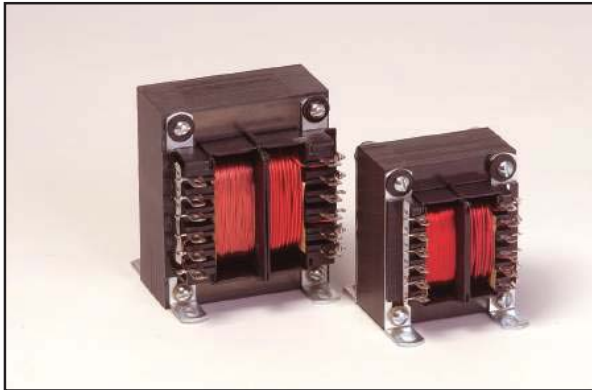


500 Bayview Avenue, Inwood, NY 11096
 Toll Free 866-239-5777 • Tel 516-239-5777 • Fax 516-239-7208
 sales@signaltransformer.com • techhelp@signaltransformer.com

All-4-One™ International Triple Output Transformers - Chassis Mount



For 5 VDC and ±12 VDC or ±15 VDC Regulated Power Supplies Requiring International Safety Certification



Triple output transformers with chassis mount capability plus all of the performance features of our split bobbin A41 series.

General Specifications

- Power - 25 VA to 80 VA
- Dielectric Strength - 4000 Vrms Hipot
- Primaries - Dual primaries (115/230V - 50/60 Hz)
- Secondaries - Dual complementary outputs (5 VDC with ±12 VDC or 5 VDC with ±15 VDC)
- Terminals - Solder lug / quick connect type terminals
- Leakage - Current meets UL 60601-1, IEC/EN 60601-1
- Insulation - Class F (155° C)
- Flammability Rating - Bobbin and shroud material meet UL 94-V0

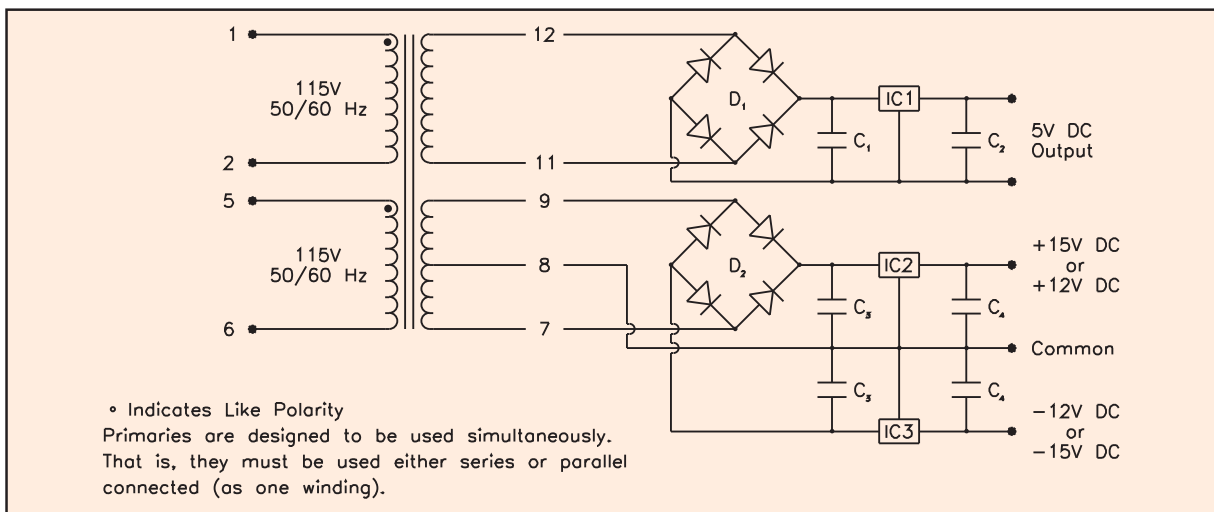
Agency Certifications

- UL 1446 E66312
- UL recognized to UL 506 / UL 5085-2, File # E63829
- CSA certified to C22.2 No. 66.1, File # 221070
- VDE certified to VDE 0805 / EN 60950 (File # 1448)



| Part Number | VA | DC Output | | Suggested Components (C ₂ and C ₄ See Note 1) | | | | | | |
|-------------|------|-------------|--------------|---|-------------------|---------------------|------------------|------------------|-----------------|-----------------|
| | Size | Regulator I | Regulator II | C ₁ | C ₃ | IC1 ¹ | IC2 ² | IC3 ³ | D1 ⁴ | D2 ⁴ |
| A41-25-512 | 25 | 5V @ 1.25A | ±12V @ 150mA | 4.1 KMFD @15 VDC | 600 MFD @50 VDC | LM-323K-5 | LM-340K-12 | LM-320K-12 | PE20 | PF20 |
| A41-25-515 | 25 | 5V @ 1.25A | ±15V @ 130mA | | | LM-323K-5 | LM-340K-15 | LM-320K-15 | PE20 | PF20 |
| A41-43-512 | 43 | 5V @ 2A | ±12V @ 300mA | 8 KMFD @15 VDC | 1.1 KMFD @ 50 VDC | LM-323K-5 | LM-340K-12 | LM-320K-12 | PE20 | PF20 |
| A41-43-515 | 43 | 5V @ 2A | ±15V @ 250mA | | | LM-323K-5 | LM-340K-15 | LM-320K-15 | PE20 | PF20 |
| A41-80-512 | 80 | 5V @ 3.5A | ±12V @ 600mA | 10 KMFD @15 VDC | 2.1 KMFD @ 50 VDC | LM-338 ² | LM-340K-12 | LM-320K-12 | PP20 | PF20 |
| A41-80-515 | 80 | 5V @ 3.5A | ±15V @ 500mA | | | LM-338 ² | LM-340K-15 | LM-320K-15 | PP20 | PF20 |

Note 1: Output capacitors C2 and C4 are required to stabilize regulators. Values can be 1 MFD min. tantalum or 10 MFD min. electrolytic, 20V min.
 Note 2: LM-338 is an adjustable regulator and MFR's specifications (National Semiconductor) should be consulted for values of external components.
 Note 3: All IC's are National Semiconductor types.
 Note 4: All bridges are EDI types.



Note: VDE certified A41 Series transformers with standard length and color lead wires are readily available. Contact Customer Service for more information.

Custom versions available upon request.

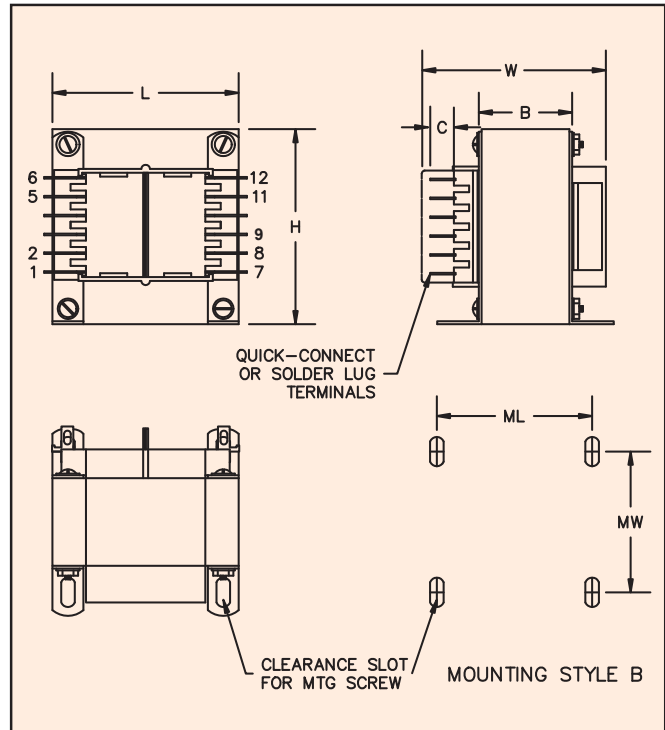
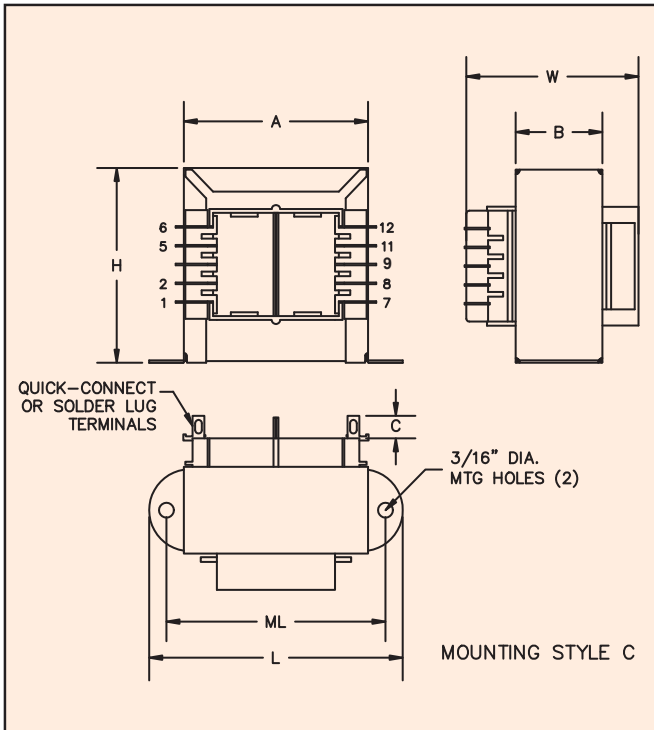
©2015 Signal Transformer Inc. Specifications subject to change without notice. 07.15



500 Bayview Avenue, Inwood, NY 11096
 Toll Free 866-239-5777 • Tel 516-239-5777 • Fax 516-239-7208
 sales@signaltransformer.com • techhelp@signaltransformer.com

All-4-One™ International Triple Output Transformers - Chassis Mount

For 5 VDC and ±12 VDC or ±15 VDC Regulated Power Supplies Requiring International Safety Certification



| Dimensions | | | | | | | Terminal | Mounting Style | Mounting Dimensions | | Mounting Screw | Weight |
|------------|-------------|-------------|-------------|-------------|-------------|------------|-------------|----------------|---------------------|-------------|----------------|-------------|
| VA | L | W | H | A | B | C | | | ML | MW | | |
| Size | Inches (mm) | | | | | | Inches (mm) | | | | lbs (kg) | |
| 25 | 2.81 (71.4) | 2.14 (54.4) | 2.31 (58.7) | 2.00 (50.8) | 1.12 (28.6) | 0.31 (7.9) | 0.18 (4.75) | C | 2.37 (60.3) | - | #6 | 1.25 (0.57) |
| 43 | 3.12 (79.4) | 2.14 (54.4) | 2.68 (68.2) | 2.25 (57.2) | 1.12 (28.6) | 0.31 (7.9) | 0.18 (4.75) | C | 2.81 (71.4) | - | #6 | 1.6 (0.73) |
| 80 | 2.50 (63.5) | 2.53 (64.3) | 3.06 (77.7) | - | 1.37 (34.9) | 0.31 (7.9) | 0.18 (4.75) | B | 2.00 (50.8) | 2.18 (55.5) | #6 | 2.8 (1.27) |

Custom versions available upon request.

©2015 Signal Transformer Inc. Specifications subject to change without notice. 07.15



500 Bayview Avenue, Inwood, NY 11096
 Toll Free 866-239-5777 • Tel 516-239-5777 • Fax 516-239-7208
 sales@signaltransformer.com • techhelp@signaltransformer.com

Class 2 Transformers designed for Chassis Mounting

Inherently or Non-Inherently Limited



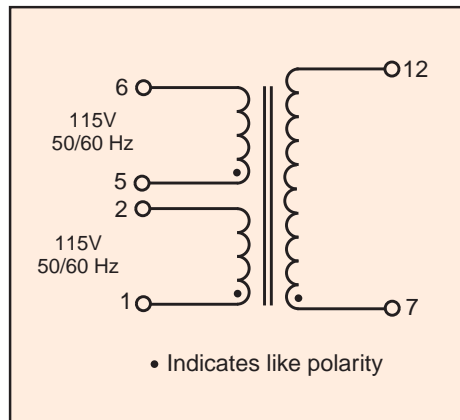
Signal's CL2 transformers are available in printed circuit and chassis mount versions. They are supplied as inherently or non-inherently limited units that are UL 1585 / UL 5085 recognized.

General Specifications

- Power - 25 VA to 80 VA
- Dielectric Strength - 4000 Vrms Hipot
- Primaries - Dual primaries, 115/230 V, 50/60 Hz,
- Secondaries - Single secondary
- Class 2 Rating - Inherently or non-inherently limited (secondary fuse requirements below)
- Electrostatic Shield - Not necessary, split or dual bobbin construction
- Terminals - Solder lug/quick connect type terminals
- Insulation System - Class F insulation, 155° C
- Flammability Rating - Bobbin and shroud material meet UL 94V0

Agency Certifications

- UL recognized to UL 1585 / UL 5085-3, File # E116583
- CSA certified to C22.2 #66.1



Primaries are designed to be used simultaneously. That is, they must be used either series or parallel connected (as one winding).

| Part Number | SecondaryRMS Rating | Secondary Fuse Required |
|-------------|---------------------|-------------------------|
| CL2-25-12 | 12V @ 2.10A | 2.5A* |
| CL2-25-24 | 24V @ 1.05A | 1.5A* |
| CL2-40-12 | 12V @ 3.33A | 4.0A* |
| CL2-40-24 | 24V @ 1.66A | 2.0A* |
| CL2-80-24 | 24V @ 3.33A | 3.5A* |

* Non-inherently limited
Maximum secondary fuse value specified
All primaries are 115/230 V, 50/60 Hz

Custom versions available upon request.

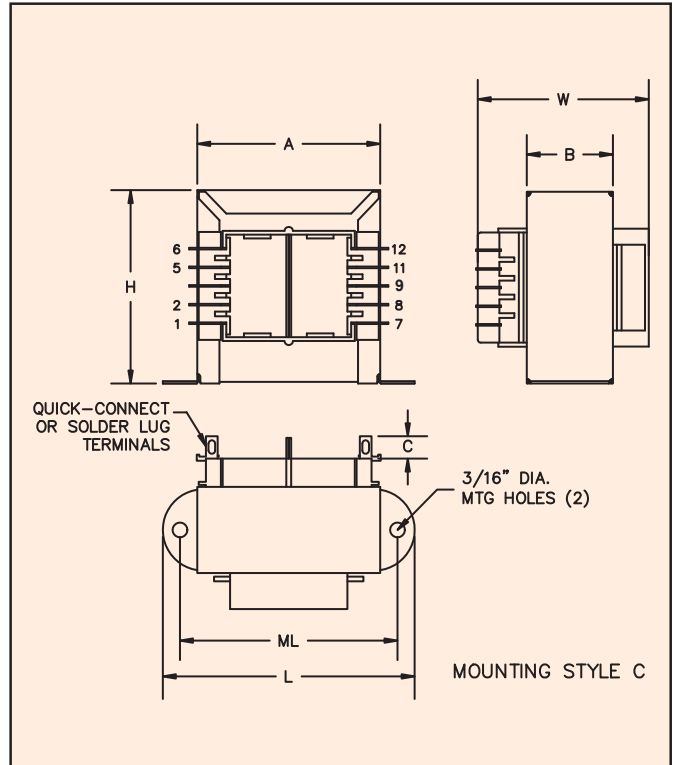
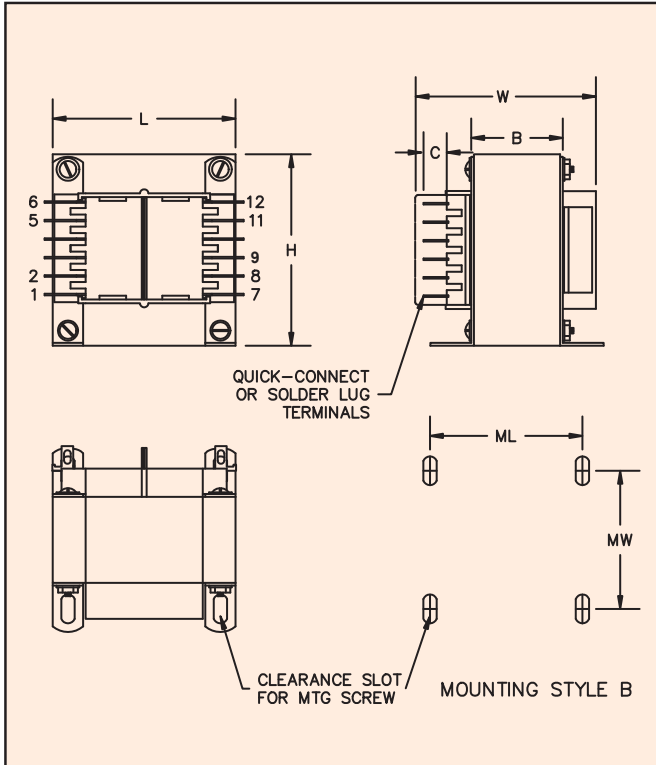
©2015 Signal Transformer Inc. Specifications subject to change without notice. 07.15



500 Bayview Avenue, Inwood, NY 11096
Toll Free 866-239-5777 • Tel 516-239-5777 • Fax 516-239-7208
sales@signaltransformer.com • techhelp@signaltransformer.com

Class 2 Transformers designed for Chassis Mounting

Inherently or Non-Inherently Limited



| VA | Dimensions | | | | | | Terminals | Mounting Style | Mounting Dimensions | | Mounting Screw | Weight |
|------|----------------|----------------|----------------|----------------|----------------|---------------|---------------|----------------|---------------------|----------------|----------------|----------------|
| | L | W | H | A | B | C | | | ML | MW | | |
| Size | Inches (mm) | | | | | | Inches (mm) | | | | | |
| 25 | 2.81 (71.4) | 2.14 (54.4) | 2.31 (58.7) | 2.00 (50.8) | 1.12 (28.6) | .31 (7.92) | .18 (4.75) | C | 2.37 (60.3) | — | #6 | 1.25 (0.57) |
| 40 | 3.12 (79.4) | 2.14 (54.4) | 2.68 (68.2) | 2.25 (57.2) | 1.12 (28.6) | .31 (7.92) | .18 (4.75) | C | 2.81 (71.4) | — | #6 | 1.6 (0.73) |
| 80 | 2.50 (63.5) | 2.53 (64.3) | 3.06 (77.7) | — | 1.37 (34.9) | .31 (7.92) | .18 (4.75) | B | 2.00 (50.8) | 2.18 (55.5) | #6 | 2.8 (1.27) |

Custom versions available upon request.

©2015 Signal Transformer Inc. Specifications subject to change without notice. 07.15



www.signaltransformer.com

500 Bayview Avenue, Inwood, NY 11096
 Toll Free 866-239-5777 • Tel 516-239-5777 • Fax 516-239-7208
 sales@signaltransformer.com • techhelp@signaltransformer.com

Two-4-One™ Power Transformers

Chassis Mount



Split Bobbin Construction Providing Superior Isolation.



Signal's 241 transformers use a split bobbin construction that provides superior isolation and low capacitive coupling.

General Specifications

- Power - 2.4 VA to 100 VA
- Dielectric Strength - 2500 Vrms Hipot
- Primaries - Single or dual primaries (115V or 115/230 V - 50/60 Hz)
- Secondary - Single center tapped secondary
- Terminals - Solder lug / quick connect type terminals
- Insulation - Class B (130° C) UL 1446 E66312

Agency Certifications

- UL recognized to UL 506 / UL 5085-1, File # E63829
- CSA certified to C22.2 #66.1, File # 221070



| Part Number | | Secondary RMS Rating | Part Number | | Secondary RMS Rating |
|-------------|---------------|----------------------|-------------|---------------|----------------------|
| Single 115V | Dual 115/230V | | Single 115V | Dual 115/230V | |
| 241-3-10 | Not Available | 10.0 VCT @ 0.25A | 241-3-28 | Not Available | 28 VCT @ 0.085A |
| 241-4-10 | DP-241-4-10 | 10.0 VCT @ 0.60A | 241-4-28 | DP-241-4-28 | 28 VCT @ 0.20A |
| 241-5-10 | DP-241-5-10 | 10.0 VCT @ 1.2A | 241-5-28 | DP-241-5-28 | 28 VCT @ 0.42A |
| 241-6-10 | DP-241-6-10 | 10.0 VCT @ 3.0A | 241-6-28 | DP-241-6-28 | 28 VCT @ 1.1A |
| 241-7-10 | DP-241-7-10 | 10.0 VCT @ 5.0A | 241-7-28 | DP-241-7-28 | 28 VCT @ 2.0A |
| 241-8-10 | DP-241-8-10 | 10.0 VCT @ 10A | 241-8-28 | DP-241-8-28 | 28 VCT @ 3.6A |
| 241-3-12 | Not Available | 12.6 VCT @ 0.20A | 241-3-36 | Not Available | 36 VCT @ 0.065A |
| 241-4-12 | DP-241-4-12 | 12.6 VCT @ 0.50A | 241-4-36 | DP-241-4-36 | 36 VCT @ 0.17A |
| 241-5-12 | DP-241-5-12 | 12.6 VCT @ 1.0A | 241-5-36 | DP-241-5-36 | 36 VCT @ 0.35A |
| 241-6-12 | DP-241-6-12 | 12.6 VCT @ 2.5A | 241-6-36 | DP-241-6-36 | 36 VCT @ 0.85A |
| 241-7-12 | DP-241-7-12 | 12.6 VCT @ 4.0A | 241-7-36 | DP-241-7-36 | 36 VCT @ 1.5A |
| 241-8-12 | DP-241-8-12 | 12.6 VCT @ 8.0A | 241-8-36 | DP-241-8-36 | 36 VCT @ 2.8A |
| 241-3-16 | Not Available | 16.0 VCT @ 0.15A | 241-3-48 | Not Available | 48 VCT @ 0.05A |
| 241-4-16 | DP-241-4-16 | 16.0 VCT @ 0.40A | 241-4-48 | DP-241-4-48 | 48 VCT @ 0.125A |
| 241-5-16 | DP-241-5-16 | 16.0 VCT @ 0.80A | 241-5-48 | DP-241-5-48 | 48 VCT @ 0.25A |
| 241-6-16 | DP-241-6-16 | 16.0 VCT @ 2.0A | 241-6-48 | DP-241-6-48 | 48 VCT @ 0.63A |
| 241-7-16 | DP-241-7-16 | 16.0 VCT @ 3.5A | 241-7-48 | DP-241-7-48 | 48 VCT @ 1.2A |
| 241-8-16 | DP-241-8-16 | 16.0 VCT @ 6.25A | 241-8-48 | DP-241-8-48 | 48 VCT @ 2.0A |
| 241-3-20 | Not Available | 20.0 VCT @ 0.12A | 241-3-56 | Not Available | 56 VCT @ 0.045A |
| 241-4-20 | DP-241-4-20 | 20.0 VCT @ 0.30A | 241-4-56 | DP-241-4-56 | 56 VCT @ 0.11A |
| 241-5-20 | DP-241-5-20 | 20.0 VCT @ 0.60A | 241-5-56 | DP-241-5-56 | 56 VCT @ 0.22A |
| 241-6-20 | DP-241-6-20 | 20.0 VCT @ 1.5A | 241-6-56 | DP-241-6-56 | 56 VCT @ 0.54A |
| 241-7-20 | DP-241-7-20 | 20.0 VCT @ 2.8A | 241-7-56 | DP-241-7-56 | 56 VCT @ 1.00A |
| 241-8-20 | DP-241-8-20 | 20.0 VCT @ 5.0A | 241-8-56 | DP-241-8-56 | 56 VCT @ 1.8A |
| 241-3-24 | Not Available | 24.0 VCT @ 0.10A | 241-3-120 | Not Available | 120VCT @ 0.02A |
| 241-4-24 | DP-241-4-24 | 24.0 VCT @ 0.25A | 241-4-120 | DP-241-4-120 | 120VCT @ 0.05A |
| 241-5-24 | DP-241-5-24 | 24.0 VCT @ 0.50A | 241-5-120 | DP-241-5-120 | 120VCT @ 0.10A |
| 241-6-24 | DP-241-6-24 | 24.0 VCT @ 1.25A | 241-6-120 | DP-241-6-120 | 120VCT @ 0.25A |
| 241-7-24 | DP-241-7-24 | 24.0 VCT @ 2.4A | 241-7-120 | DP-241-7-120 | 120VCT @ 0.50A |
| 241-8-24 | DP-241-8-24 | 24.0 VCT @ 4.0A | 241-8-120 | DP-241-8-120 | 120VCT @ 0.85A |

Custom versions available upon request.

©2015 Signal Transformer Inc. Specifications subject to change without notice. 07.15



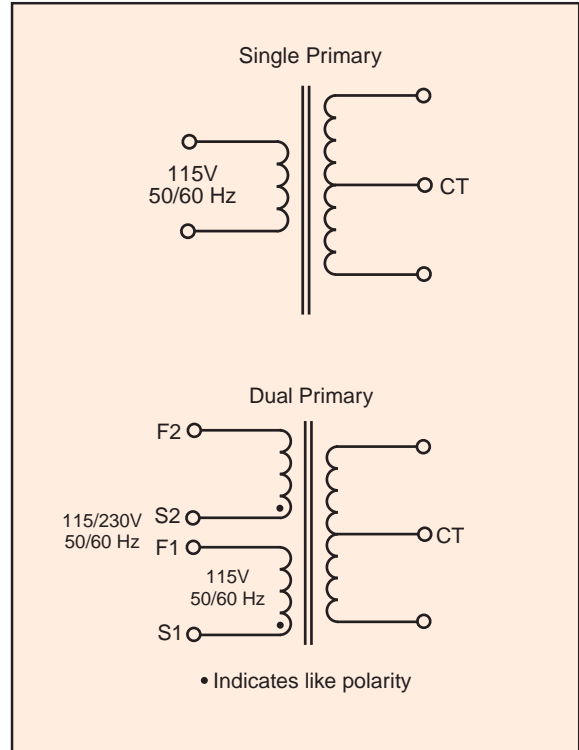
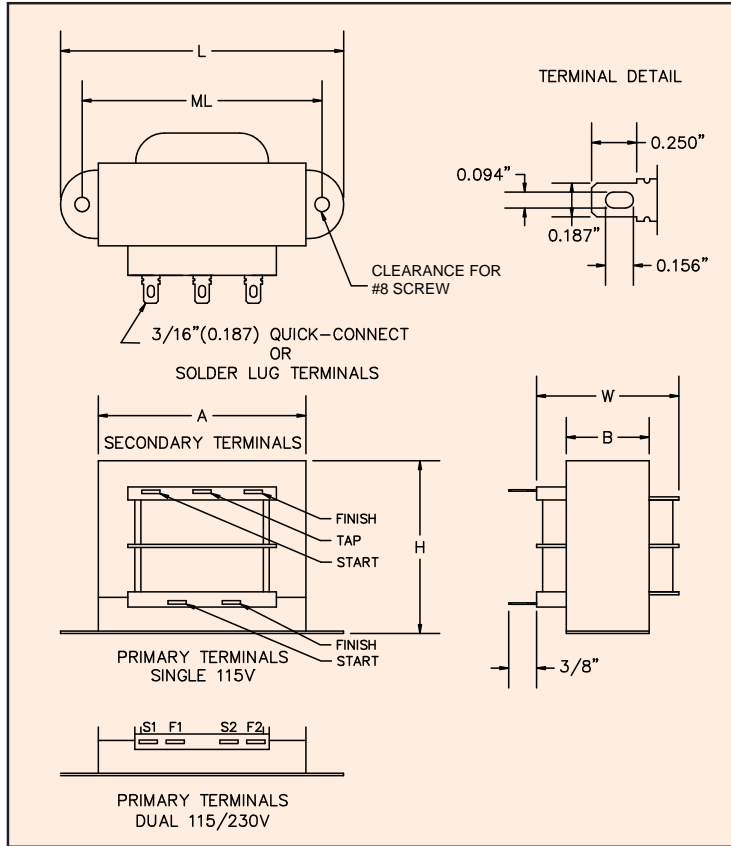
www.signaltransformer.com

500 Bayview Avenue, Inwood, NY 11096
 Toll Free 866-239-5777 • Tel 516-239-5777 • Fax 516-239-7208
 sales@signaltransformer.com • techhelp@signaltransformer.com

Two-4-One™ Power Transformers Chassis Mount



Split Bobbin with High Isolation



Note: Agency certified 241 Series transformers with standard length and color lead wires are readily available. See website for 241-L product series.

| Size | VA | Dimensions | | | | | | Weight |
|------|-----|-----------------|----------------|----------------|----------------|----------------|----------------|----------------|
| | | L | W | H | A | B | ML typ | |
| | | Inches (mm) | | | | | | lbs (kg) |
| 3 | 2.4 | 2.07 (52.6) | 1.17 (29.6) | 1.23 (31.2) | 1.62 (41.3) | 0.59 (15.0) | 1.75 (44.5) | 0.25 (0.11) |
| 4 | 6 | 2.37 (60.3) | 1.31 (33.3) | 1.43 (36.2) | 1.71 (43.4) | 0.72 (18.3) | 2.00 (50.8) | 0.44 (0.20) |
| 5 | 12 | 2.81 (71.4) | 1.43 (36.3) | 1.69 (42.8) | 1.97 (49.9) | 0.89 (22.6) | 2.37 (60.3) | 0.7 (0.32) |
| 6 | 30 | 3.25 (82.6) | 1.74 (44.3) | 1.96 (49.8) | 2.35 (59.7) | 1.14 (28.9) | 2.81 (71.4) | 1.1 (0.50) |
| 7 | 56 | 3.68 (93.5) | 1.94 (49.2) | 2.28 (57.8) | 2.70 (68.4) | 1.14 (28.9) | 3.12 (79.4) | 1.7 (0.77) |
| 8 | 100 | 4.03 (102.4) | 2.30 (58.5) | 2.58 (65.5) | 3.08 (78.2) | 1.43 (36.2) | 3.56 (90.4) | 2.75 (1.25) |

Custom versions available upon request.

©2015 Signal Transformer Inc. Specifications subject to change without notice. 07.15



www.signaltransformer.com

500 Bayview Avenue, Inwood, NY 11096
Toll Free 866-239-5777 • Tel 516-239-5777 • Fax 516-239-7208
sales@signaltransformer.com • techhelp@signaltransformer.com

Two-4-One™ Power Transformers

Chassis Mount with Lead Wires



Split Bobbin with High Isolation



Signal's 241-L transformers use a split bobbin that provides superior isolation and low capacitive coupling.

General Specifications

- Power - 2.4 VA to 100 VA
- Dielectric Strength - 2500 Vrms Hipot
- Primaries - Single or dual primaries (115V or 115/230 V - 50/60 Hz)
- Secondary - Single center tapped secondary
- Insulation - Class B (130° C) UL 1446 E66312

Compliant With

- UL 506 / UL 5085, CSA 22.2, #66.1

Lead Wires

- Hook up lead wire style UL1015, CSA TEW
- Rated 600V -40° to +105° C
- Passes UL VW-1 (flame test)
- All primary and secondary lead wires are 18AWG UL 1015
- All lead wires are 12" in length



| Part Number | | Secondary RMS Rating | Part Number | | Secondary RMS Rating |
|-------------|---------------|----------------------|-------------|---------------|----------------------|
| Single 115V | Dual 115/230V | | Single 115V | Dual 115/230V | |
| 241-3-10L | Not Available | 10.0 VCT @ 0.25A | 241-3-28L | Not Available | 28 VCT @ 0.085A |
| 241-4-10L | DP-241-4-10L | 10.0 VCT @ 0.60A | 241-4-28L | DP-241-4-28L | 28 VCT @ 0.20A |
| 241-5-10L | DP-241-5-10L | 10.0 VCT @ 1.2A | 241-5-28L | DP-241-5-28L | 28 VCT @ 0.42A |
| 241-6-10L | DP-241-6-10L | 10.0 VCT @ 3.0A | 241-6-28L | DP-241-6-28L | 28 VCT @ 1.1A |
| 241-7-10L | DP-241-7-10L | 10.0 VCT @ 5.0A | 241-7-28L | DP-241-7-28L | 28 VCT @ 2.0A |
| 241-8-10L | DP-241-8-10L | 10.0 VCT @ 10A | 241-8-28L | DP-241-8-28L | 28 VCT @ 3.6A |
| 241-3-12L | Not Available | 12.6 VCT @ 0.20A | 241-3-36L | Not Available | 36 VCT @ 0.065A |
| 241-4-12L | DP-241-4-12L | 12.6 VCT @ 0.50A | 241-4-36L | DP-241-4-36L | 36 VCT @ 0.17A |
| 241-5-12L | DP-241-5-12L | 12.6 VCT @ 1.0A | 241-5-36L | DP-241-5-36L | 36 VCT @ 0.35A |
| 241-6-12L | DP-241-6-12L | 12.6 VCT @ 2.5A | 241-6-36L | DP-241-6-36L | 36 VCT @ 0.85A |
| 241-7-12L | DP-241-7-12L | 12.6 VCT @ 4.0A | 241-7-36L | DP-241-7-36L | 36 VCT @ 1.5A |
| 241-8-12L | DP-241-8-12L | 12.6 VCT @ 8.0A | 241-8-36L | DP-241-8-36L | 36 VCT @ 2.8A |
| 241-3-16L | Not Available | 16.0 VCT @ 0.15A | 241-3-48L | Not Available | 48 VCT @ 0.05A |
| 241-4-16L | DP-241-4-16L | 16.0 VCT @ 0.40A | 241-4-48L | DP-241-4-48L | 48 VCT @ 0.125A |
| 241-5-16L | DP-241-5-16L | 16.0 VCT @ 0.80A | 241-5-48L | DP-241-5-48L | 48 VCT @ 0.25A |
| 241-6-16L | DP-241-6-16L | 16.0 VCT @ 2.0A | 241-6-48L | DP-241-6-48L | 48 VCT @ 0.63A |
| 241-7-16L | DP-241-7-16L | 16.0 VCT @ 3.5A | 241-7-48L | DP-241-7-48L | 48 VCT @ 1.2A |
| 241-8-16L | DP-241-8-16L | 16.0 VCT @ 6.25A | 241-8-48L | DP-241-8-48L | 48 VCT @ 2.0A |
| 241-3-20L | Not Available | 20.0 VCT @ 0.12A | 241-3-56 | Not Available | 56 VCT @ 0.045A |
| 241-4-20L | DP-241-4-20L | 20.0 VCT @ 0.30A | 241-4-56L | DP-241-4-56L | 56 VCT @ 0.11A |
| 241-5-20L | DP-241-5-20L | 20.0 VCT @ 0.60A | 241-5-56L | DP-241-5-56L | 56 VCT @ 0.22A |
| 241-6-20L | DP-241-6-20L | 20.0 VCT @ 1.5A | 241-6-56L | DP-241-6-56L | 56 VCT @ 0.54A |
| 241-7-20L | DP-241-7-20L | 20.0 VCT @ 2.8A | 241-7-56L | DP-241-7-56L | 56 VCT @ 1.00A |
| 241-8-20L | DP-241-8-20L | 20.0 VCT @ 5.0A | 241-8-56L | DP-241-8-56L | 56 VCT @ 1.8A |
| 241-3-24L | Not Available | 24.0 VCT @ 0.10A | 241-3-120L | Not Available | 120VCT @ 0.02A |
| 241-4-24L | DP-241-4-24L | 24.0 VCT @ 0.25A | 241-4-120L | DP-241-4-120L | 120VCT @ 0.05A |
| 241-5-24L | DP-241-5-24L | 24.0 VCT @ 0.50A | 241-5-120L | DP-241-5-120L | 120VCT @ 0.10A |
| 241-6-24L | DP-241-6-24L | 24.0 VCT @ 1.25A | 241-6-120L | DP-241-6-120L | 120VCT @ 0.25A |
| 241-7-24L | DP-241-7-24L | 24.0 VCT @ 2.4A | 241-7-120L | DP-241-7-120L | 120VCT @ 0.50A |
| 241-8-24L | DP-241-8-24L | 24.0 VCT @ 4.0A | 241-8-120L | DP-241-8-120L | 120VCT @ 0.85A |

Custom versions available upon request.

©2015 Signal Transformer Inc. Specifications subject to change without notice. 07.15



www.signaltransformer.com

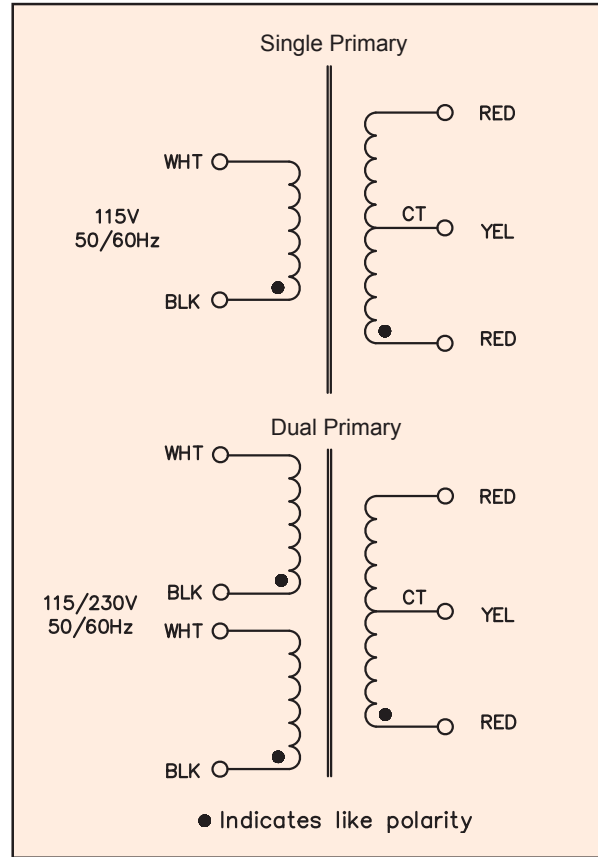
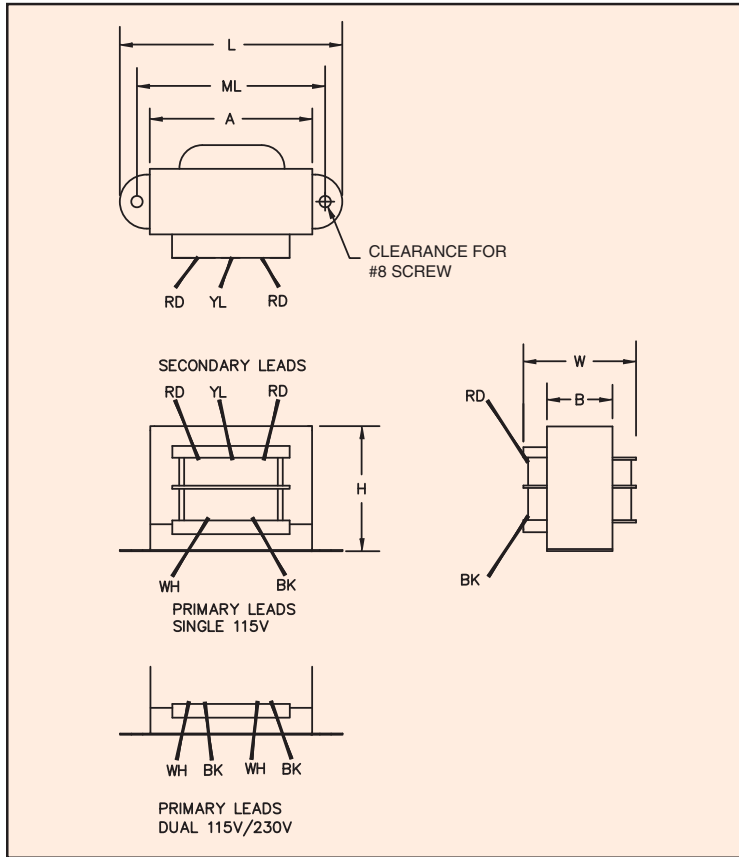
500 Bayview Avenue, Inwood, NY 11096
 Toll Free 866-239-5777 • Tel 516-239-5777 • Fax 516-239-7208
 sales@signaltransformer.com • techhelp@signaltransformer.com

Two-4-One™ Power Transformers

Chassis Mount with Lead Wires



Split Bobbin with High Isolation



| Size | VA | Dimensions | | | | | | Weight |
|------|-----|-----------------|----------------|----------------|----------------|----------------|----------------|----------------|
| | | L | W | H | A | B | ML typ | |
| | | Inches (mm) | | | | | | lbs (kg) |
| 3 | 2.4 | 2.07 (52.6) | 1.17 (29.6) | 1.23 (31.2) | 1.62 (41.3) | 0.59 (15.0) | 1.75 (44.5) | 0.25 (0.11) |
| 4 | 6 | 2.37 (60.3) | 1.31 (33.3) | 1.43 (36.2) | 1.71 (43.4) | 0.72 (18.3) | 2.00 (50.8) | 0.44 (0.20) |
| 5 | 12 | 2.81 (71.4) | 1.43 (36.3) | 1.69 (42.8) | 1.97 (49.9) | 0.89 (22.6) | 2.37 (60.3) | 0.7 (0.32) |
| 6 | 30 | 3.25 (82.6) | 1.74 (44.3) | 1.96 (49.8) | 2.35 (59.7) | 1.14 (28.9) | 2.81 (71.4) | 1.1 (0.50) |
| 7 | 56 | 3.68 (93.5) | 1.94 (49.2) | 2.28 (57.8) | 2.70 (68.4) | 1.14 (28.9) | 3.12 (79.4) | 1.7 (0.77) |
| 8 | 100 | 4.03 (102.4) | 2.30 (58.5) | 2.58 (65.5) | 3.08 (78.2) | 1.43 (36.2) | 3.56 (90.4) | 2.75 (1.25) |

Custom versions available upon request.

©2015 Signal Transformer Inc. Specifications subject to change without notice. 07.15



500 Bayview Avenue, Inwood, NY 11096
 Toll Free 866-239-5777 • Tel 516-239-5777 • Fax 516-239-7208
 sales@signaltransformer.com • techhelp@signaltransformer.com

Two-4-One™ Triple Output Transformers Chassis Mount

For 5 VDC and ±12 VDC or ±15 VDC Regulated Power Supplies



Signal's MT and DMT transformers have all of the performance features of our 241 series.

General Specifications

- Power - 30 VA, 56 VA and 100 VA
- Dielectric Strength - 2500 Vrms Hipot
- Primaries - Single or dual primaries 115V or 115/230V nominal - 50/60 Hz
Input range 100 V to 130 V or 200V to 260 V - 50/60 Hz
- Secondaries - Dual complementary outputs (5 VDC with ±12 VDC or 5 VDC with ±15 VDC)
- Terminals - Solder lug / quick connect type terminals
- Insulation - Class B (130° C) UL E66312
- RoHS compliant

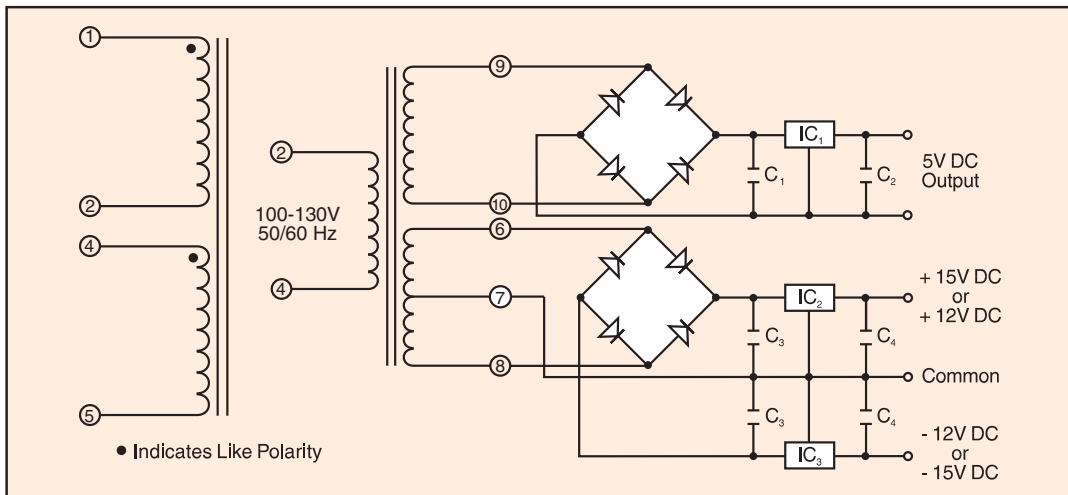
Agency Certifications

- UL 1446 E66312
- UL recognized to UL 506 / UL5085-2, File # E63829
- CSA certified to C22.2 #66.1, File # 221070



| Part Number Primary 50/60 Hz | | DC Output | | Size | Suggested Components (C ₂ and C ₄ See Note 1) | | | | | | |
|---------------------------------|----------|-------------|--------------|------|---|----------------------|---------------------|-----------------|-----------------|----------------|----------------|
| 115V | 115/230V | Regulator I | Regulator II | | C ₁ | C ₃ | IC ₁ | IC ₂ | IC ₃ | D ₁ | D ₂ |
| MT-6-12 | DMT-6-12 | 5V @ 1.75A | ±12V @ 210mA | 6 | 10 KMFD @ 20 VDC | 1.5 KMFD @ 50 VDC | LM-323K-5 | LM-340K-12 | LM-320K-12 | 3N253 | 3N247 |
| MT-6-15 | DMT-6-15 | 5V @ 1.75A | ±15V @ 175mA | 6 | 10 KMFD @ 20 VDC | 1.5 KMFD @ 50 VDC | LM-323K-5 | LM-340K-15 | LM-320K-15 | 3N253 | 3N247 |
| MT-7-12 | DMT-7-12 | 5V @ 2.8A | ±12V @ 350mA | 7 | 15 KMFD @ 20 VDC | 2 KMFD @ 50 VDC | LM-323K-5 | LM-340K-12 | LM-320K-12 | MDA-400 | 3N247 |
| MT-7-15 | DMT-7-15 | 5V @ 2.8A | ±15V @ 280mA | 7 | 15 KMFD @ 20 VDC | 2 KMFD @ 50 VDC | LM-323K-5 | LM-340K-15 | LM-320K-15 | MDA-400 | 3N247 |
| MT-8-12 | DMT-8-12 | 5V @ 4A | ±12V @ 600mA | 8 | 26 KMFD @ 20 VDC | 3.1 KMFD @ 50 VDC | LM-338 ² | LM-340K-12 | LM-320K-12 | MDA-800 | 3N247 |
| MT-8-15 | DMT-8-15 | 5V @ 4A | ±15V @ 500mA | 8 | 26 KMFD @ 20 VDC | 3.1 KMFD @ 50 VDC | LM-338 ² | LM-340K-15 | LM-320K-15 | MDA-800 | 3N247 |

Note 1: Output capacitors C₂ and C₄ are required to stabilize regulators. Values can be 1 MFD min. tantalum or 10 MFD min. electrolytic, 20V min.
 Note 2: LM-338 is an adjustable regulator and Mfr's specifications (National Semiconductor) should be consulted for values of external components.
 Note 3: All IC's are National Semiconductor types.
 Note 4: All diodes are Motorola types.



Custom versions available upon request.

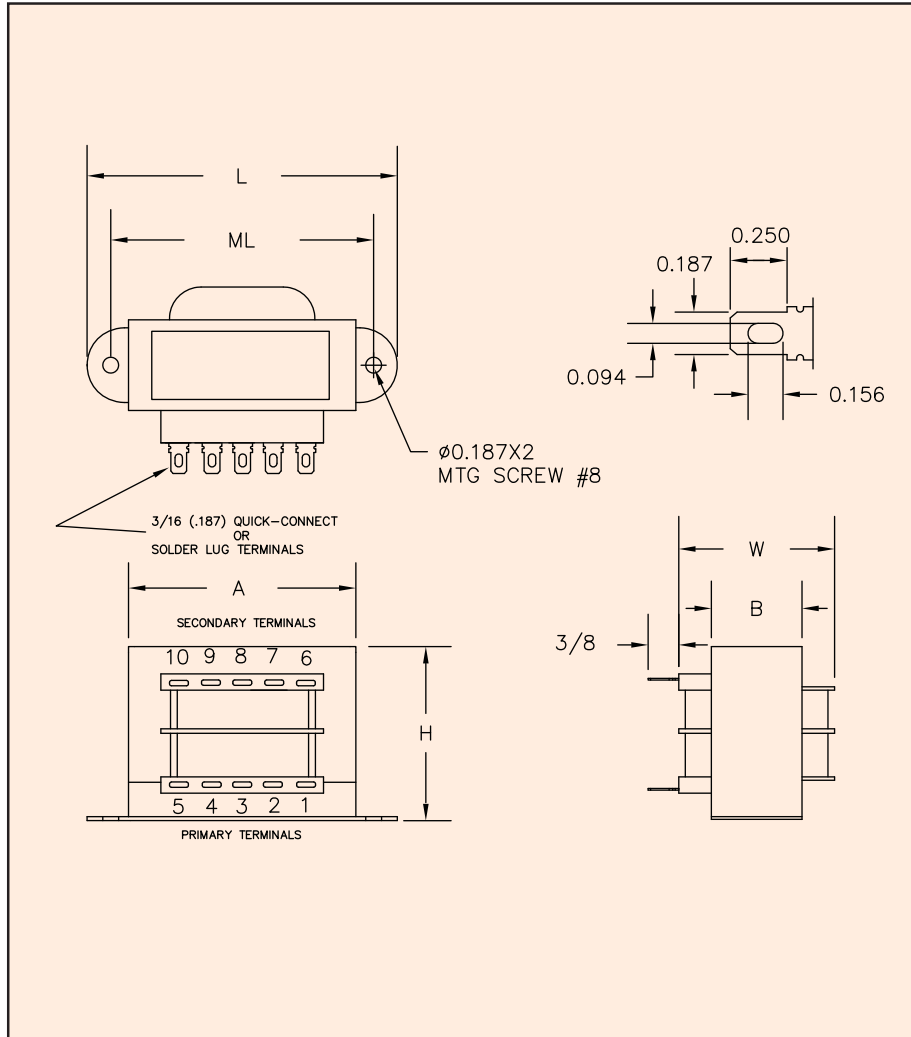
©2015 Signal Transformer Inc. Specifications subject to change without notice. 07.15



500 Bayview Avenue, Inwood, NY 11096
 Toll Free 866-239-5777 • Tel 516-239-5777 • Fax 516-239-7208
 sales@signaltransformer.com • techhelp@signaltransformer.com

Two-4-One™ Triple Output Transformers Chassis Mount

For 5 VDC and ±12 VDC or ±15 VDC Regulated Power Supplies



| VA | Dimensions | | | | | | Weight |
|------|-----------------|----------------|----------------|----------------|----------------|----------------|----------------|
| | L | W | H | A | B | ML | |
| Size | Inches (mm) | | | | | | lbs (kg) |
| 6 | 3.25 (82.6) | 1.74 (44.3) | 1.96 (49.8) | 2.35 (59.7) | 1.14 (28.9) | 2.81 (71.4) | 1.1 (0.50) |
| 7 | 3.68 (93.5) | 1.94 (49.2) | 2.28 (57.8) | 2.70 (68.4) | 1.14 (28.9) | 3.12 (79.4) | 1.7 (0.77) |
| 8 | 4.03 (102.4) | 2.30 (58.5) | 2.58 (65.5) | 3.08 (78.2) | 1.43 (36.2) | 3.56 (90.4) | 2.75 (1.25) |

Custom versions available upon request.

©2015 Signal Transformer Inc. Specifications subject to change without notice. 07.15



500 Bayview Avenue, Inwood, NY 11096
Toll Free 866-239-5777 • Tel 516-239-5777 • Fax 516-239-7208
sales@signaltransformer.com • techhelp@signaltransformer.com

One-4-All™ International Transformers Printed Circuit Mount



International Standards at Lower Cost with Better Performance



Signal's 14A transformers are used in low power applications and provide the high isolation, creepage and clearance necessary to comply with international safety standards.

General Specifications

- Power - 2.5 VA to 56 VA
- Dielectric Strength - 4000 Vrms Hipot
- Dual Primaries - 115/230 V - 50/60 Hz
- Dual Secondaries - Series or parallel
- Insulation System - Class F, 155°C, UL 1446 (E66312)
- Flammability Rating - Bobbin and shroud material meet UL 94-V0

Agency Certifications

- UL recognized to UL 506 / UL 5085-2, File # E63829
- CSA certified to C22.2 No. 66.1, File # 221070
- VDE certified to VDE 0805 / EN 60950, File # 1446

CSA certified to C22.2 No. 66.3 / UL5085-3, File # 221070 - Class 2 Energy Limited



| Part Number | VA | Secondary RMS Rating | |
|--------------|------|----------------------|--------------|
| | Size | Series | Parallel |
| 14A-2.5R-10 | 2.5 | 10.0VCT @ 0.25A | 5.0V @ 0.50A |
| 14A-5.0R-10 | 5 | 10.0VCT @ 0.50A | 5.0V @ 1.00A |
| 14A-10R-10 | 10 | 10.0VCT @ 1.00A | 5.0V @ 2.00A |
| 14A-2.5R-12# | 2.5 | 12.6VCT @ 0.20A | 6.3V @ 0.40A |
| 14A-5.0R-12# | 5 | 12.6VCT @ 0.40A | 6.3V @ 0.80A |
| 14A-10R-12# | 10 | 12.6VCT @ 0.80A | 6.3V @ 1.60A |
| 14A-2.5R-16# | 2.5 | 16.0VCT @ 0.15A | 8.0V @ 0.30A |
| 14A-5.0R-16# | 5 | 16.0VCT @ 0.31A | 8.0V @ 0.62A |
| 14A-10R-16# | 10 | 16.0VCT @ 0.62A | 8.0V @ 1.25A |
| 14A-2.5R-20# | 2.5 | 20.0VCT @ 0.12A | 10V @ 0.24A |
| 14A-5.0R-20# | 5 | 20.0VCT @ 0.25A | 10V @ 0.50A |
| 14A-10R-20# | 10 | 20.0VCT @ 0.50A | 10V @ 1.00A |
| 14A-2.5R-24# | 2.5 | 24.0VCT @ 0.10A | 12V @ 0.20A |
| 14A-5.0R-24# | 5 | 24.0VCT @ 0.21A | 12V @ 0.42A |
| 14A-10R-24# | 10 | 24.0VCT @ 0.42A | 12V @ 0.84A |
| 14A-2.5R-28 | 2.5 | 28.0VCT @ 0.09A | 14V @ 0.18A |
| 14A-5.0R-28 | 5 | 28.0VCT @ 0.18A | 14V @ 0.36A |
| 14A-10R-28 | 10 | 28.0VCT @ 0.36A | 14V @ 0.72A |
| 14A-2.5R-36 | 2.5 | 36.0VCT @ 0.07A | 18V @ 0.14A |
| 14A-5.0R-36 | 5 | 36.0VCT @ 0.14A | 18V @ 0.28A |
| 14A-10R-36 | 10 | 36.0VCT @ 0.28A | 18V @ 0.56A |

| Part Number | VA | Secondary RMS Rating | |
|-------------|------|----------------------|--------------|
| | Size | Series | Parallel |
| 14A-20-10 | 20 | 10.0VCT @ 2.0A | 5.0V @ 4.0A |
| 14A-30-10 | 30 | 10.0VCT @ 3.0A | 5.0V @ 6.0A |
| 14A-56-10 | 56 | 10.0VCT @ 5.6A | 5.0V @ 11.2A |
| 14A-20-12# | 20 | 12.6VCT @ 1.6A | 6.3V @ 3.2A |
| 14A-30-12# | 30 | 12.6VCT @ 2.4A | 6.3V @ 4.8A |
| 14A-56-12 | 56 | 12.6VCT @ 4.4A | 6.3V @ 8.8A |
| 14A-20-16# | 20 | 16.0VCT @ 1.25A | 8.0V @ 2.5A |
| 14A-30-16# | 30 | 16.0VCT @ 1.9A | 8.0V @ 3.8A |
| 14A-56-16 | 56 | 16.0VCT @ 3.5A | 8.0V @ 7.0A |
| 14A-20-20# | 20 | 20.0VCT @ 1.0A | 10V @ 2.0A |
| 14A-30-20# | 30 | 20.0VCT @ 1.5A | 10V @ 3.0A |
| 14A-56-20 | 56 | 20.0VCT @ 2.8A | 10V @ 5.6A |
| 14A-20-24# | 20 | 24.0VCT @ 0.83A | 12V @ 1.66A |
| 14A-30-24# | 30 | 24.0VCT @ 1.25A | 12V @ 2.50A |
| 14A-56-24 | 56 | 24.0VCT @ 2.33 | 12V @ 4.66A |
| 14A-20-28 | 20 | 28.0VCT @ 0.72A | 14V @ 1.44A |
| 14A-30-28 | 30 | 28.0VCT @ 1.06A | 14V @ 2.12A |
| 14A-56-28 | 56 | 28.0VCT @ 2.0A | 14V @ 4.0A |
| 14A-20-36 | 20 | 36.0VCT @ 0.56A | 18V @ 1.12A |
| 14A-30-36 | 30 | 36.0VCT @ 0.82A | 18V @ 1.64A |
| 14A-56-36 | 56 | 36.0VCT @ 1.56A | 18V @ 3.12A |

Custom versions available upon request.

©2015 Signal Transformer Inc. Specifications subject to change without notice. 07.15

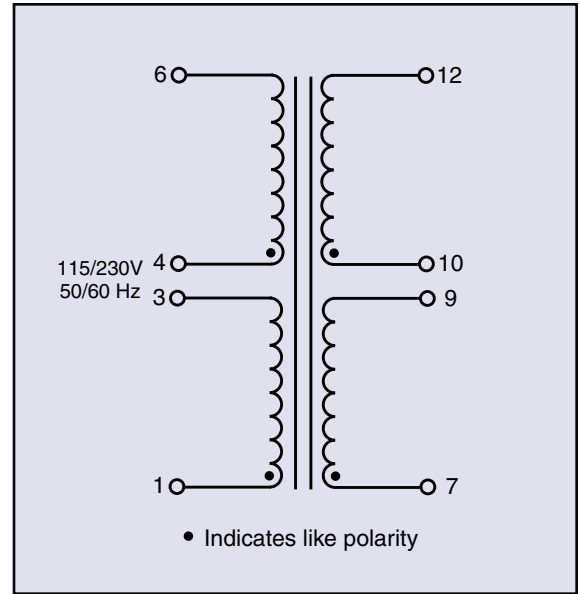
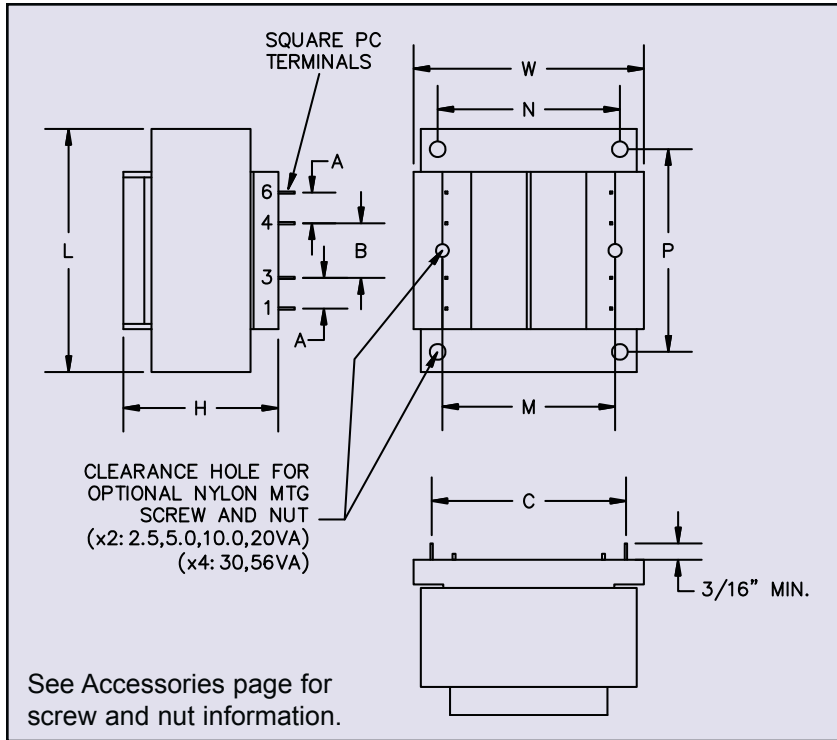


www.signaltransformer.com

500 Bayview Avenue, Inwood, NY 11096
Toll Free 866-239-5777 • Tel 516-239-5777 • Fax 516-239-7208
sales@signaltransformer.com • techhelp@signaltransformer.com

One-4-All™ International Transformers Printed Circuit Mount

International Standards at Lower Cost with Better Performance



| VA | Mechanical Dimensions | | | | | | Sq. Pin Dimensions | Mounting Dimensions | | | Mounting Screw | | Weight |
|------|-----------------------|----------------|----------------|----------------|-----------------|----------------|--------------------|---------------------|----------------|----------------|----------------|-----|-----------------|
| | L | W | H* | A | B | C | | M | N | P | Size | Qty | |
| Size | Inches (mm) | | | | | | | | | | Size | Qty | lbs (kg) |
| 2.5 | 1.62 (41.3) | 1.43 (36.5) | 1.12 (28.6) | 0.20 (5.08) | 0.25 (6.35) | 1.00 (25.4) | 0.025 (0.64) | 1.06 (26.9) | - | - | #4 | 2 | 0.25 (0.113) |
| 5 | 1.62 (41.3) | 1.43 (36.5) | 1.37 (34.9) | 0.20 (5.08) | 0.40 (10.16) | 1.00 (25.4) | 0.025 (0.64) | 1.06 (26.9) | - | - | #4 | 2 | 0.37 (0.168) |
| 10 | 1.87 (47.6) | 1.56 (39.7) | 1.37 (34.9) | 0.20 (5.08) | 0.40 (10.16) | 1.14 (29.0) | 0.036 (0.91) | 1.25 (31.7) | - | - | #4 | 2 | 0.53 (0.240) |
| 20 | 2.25 (57.2) | 1.87 (47.6) | 1.62 (41.3) | 0.40 (10.2) | 0.40 (10.2) | 1.46 (37.1) | 0.036 (0.91) | 1.50 (38.1) | - | - | #4 | 2 | 0.90 (0.41) |
| 30 | 2.62 (66.7) | 2.18 (55.5) | 1.56 (39.7) | 0.55 (13.9) | 0.27 (7.0) | 1.68 (42.7) | 0.045 (1.14) | - | 1.75 (44.4) | 2.18 (55.5) | #6 | 4 | 1.15 (0.52) |
| 56 | 3.00 (76.2) | 2.50 (63.5) | 1.83 (46.5) | 0.60 (15.2) | 0.30 (7.6) | 1.90 (48.3) | 0.045 (1.14) | - | 2.00 (50.8) | 2.50 (63.5) | #6 | 4 | 1.70 (0.77) |

*Note: Dimension H represents the total distance from the seating plane to the uppermost surface, stand offs and/or risers inclusive.

Custom versions available upon request.

©2015 Signal Transformer Inc. Specifications subject to change without notice. 07.15



www.signaltransformer.com

500 Bayview Avenue, Inwood, NY 11096
Toll Free 866-239-5777 • Tel 516-239-5777 • Fax 516-239-7208
sales@signaltransformer.com • techhelp@signaltransformer.com

One-4-All™ International Triple Output Transformers • Printed Circuit Mount



For 5 VDC and ±12 VDC or ±15 VDC Regulated Power Supplies Requiring International Safety Certification



Signal's 14A triple output transformers have PC board mounting capability plus all of the performance features of our split bobbin 14A series.

General Specifications

- Power - 20 VA to 56 VA
- Dielectric Strength - 4000 Vrms Hipot
- Primaries - Dual 115/230 V, 50/60 Hz
- Secondaries - Dual complementary outputs
- Insulation System - Class F, 155° C, UL 1446 (E66312)
- Flammability Rating - Bobbin and shroud material meet UL 94-V0

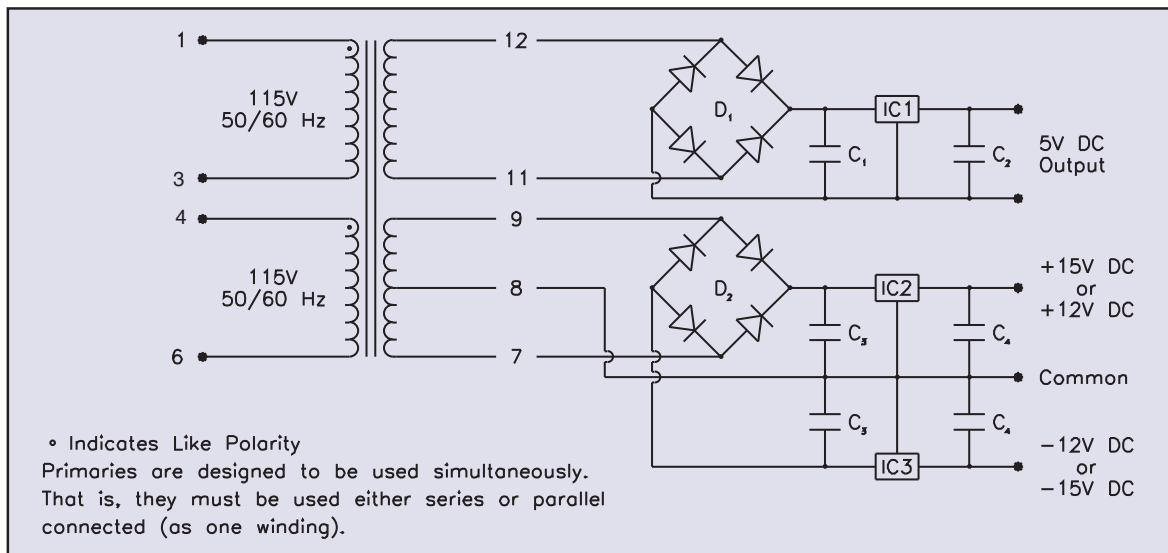
Agency Certifications

- UL recognized to UL 506 / UL 5085-2, File # E63829
- CSA certified to C22.2 No. 66.1, File # 221070
- VDE certified to VDE 0805 / EN 60950, File # 1446



| Part Number | VA | DC Output | | Suggested Components (C ₂ and C ₄ See Note 1) | | | | | |
|-------------|----|-------------|--------------|---|---------------------|------------------|------------------|-----------------|-----------------|
| | | Regulator I | Regulator II | C ₁ | IC1 ³ | IC2 ³ | IC3 ³ | D1 ⁴ | D2 ⁴ |
| 14A-20-512 | 20 | 5V @ 750mA | ±12V @ 200mA | 2.3 KMFD @ 50 VDC | LM-323K-5 | LM-340K-12 | LM-320K-12 | PE20 | PF20 |
| 14A-20-515 | 20 | 5V @ 750mA | ±15V @ 175mA | | LM-323K-5 | LM-340K-15 | LM-320K-15 | PE20 | PF20 |
| 14A-30-512 | 30 | 5V @ 1.25A | ±12V @ 250mA | 4.1 KMFD @ 15VDC | LM-323K-5 | LM-340K-12 | LM-320K-12 | PE20 | PF20 |
| 14A-30-515 | 30 | 5V @ 1.25A | ±15V @ 200mA | | LM-323K-5 | LM-340K-15 | LM-320K-15 | PE20 | PF20 |
| 14A-56-512 | 56 | 5V @ 3A | ±12V @ 300mA | 10.0 KMFD @ 15 VDC | LM-338 ² | LM-340K-12 | LM-320K-12 | PP20 | PF20 |
| 14A-56-515 | 56 | 5V @ 3A | ±15V @ 250mA | | LM-338 ² | LM-340K-15 | LM-320K-15 | PP20 | PF20 |

- Note 1: Output capacitors C₂ and C₄ are required to stabilize regulators. Values can be 1 MFD min. tantalum or 10 MFD min. electrolytic, 20V min.
 Note 2: LM-338 is an adjustable regulator and MFR's specifications (National Semiconductor) should be consulted for values of external components.
 Note 3: All ICs are National Semiconductor types.
 Note 4: All bridges are EDI types.



Custom versions available upon request.

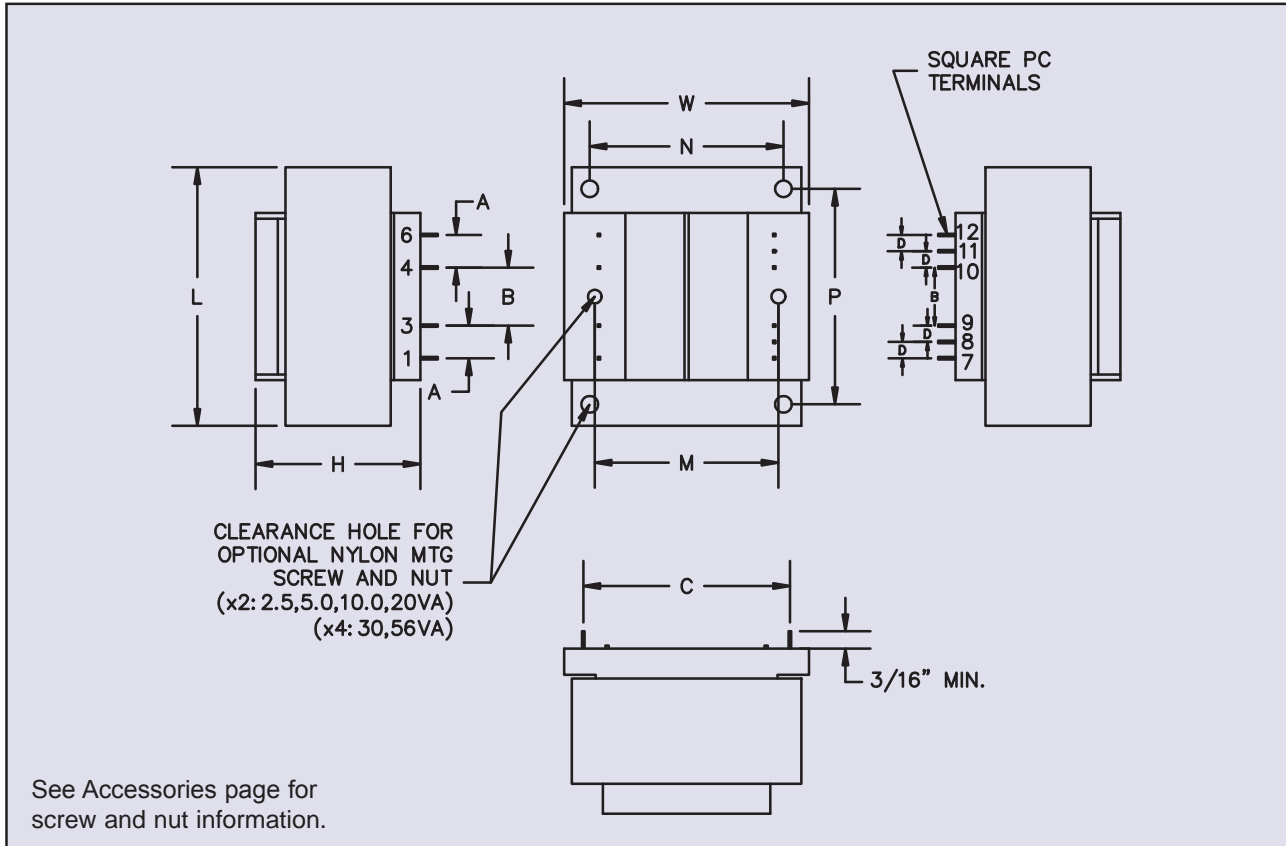
©2015 Signal Transformer Inc. Specifications subject to change without notice. 07.15



500 Bayview Avenue, Inwood, NY 11096
 Toll Free 866-239-5777 • Tel 516-239-5777 • Fax 516-239-7208
 sales@signaltransformer.com • techhelp@signaltransformer.com

One-4-All™ International Triple Output Transformers • Printed Circuit Mount

For 5 VDC and ±12 VDC or ±15 VDC Regulated Power Supplies
Requiring International Safety Certification



| VA | Dimensions | | | | | | | Square Pin Dimensions | Mounting Dimensions | | | Mounting Screw | Weight | |
|------|----------------|----------------|----------------|----------------|----------------|----------------|---------------|-----------------------|---------------------|----------------|----------------|----------------|--------|----------------|
| | L | W | H* | A | B | C | D | | M | N | P | | | |
| Size | Inches (mm) | | | | | | | | | | | Size | Qty | lbs (kg) |
| 20 | 2.25 (57.2) | 1.87 (47.6) | 1.62 (41.3) | 0.40 (10.2) | 0.40 (10.2) | 1.46 (37.1) | 0.20 (5.1) | 0.036 (0.91) | 1.50 (38.1) | - | - | #4 | 2 | 0.90 (0.41) |
| 30 | 2.62 (66.7) | 2.18 (55.5) | 1.56 (39.7) | 0.55 (13.9) | 0.27 (7.0) | 1.68 (42.7) | 0.27 (7.0) | 0.045 (1.14) | - | 1.75 (44.5) | 2.18 (55.4) | #6 | 4 | 1.15 (0.52) |
| 56 | 3.00 (76.2) | 2.50 (63.5) | 1.83 (46.5) | 0.60 (15.2) | 0.30 (7.6) | 1.90 (48.3) | 0.30 (7.6) | 0.045 (1.14) | - | 2.00 (50.8) | 2.50 (63.5) | #6 | 4 | 1.70 (0.77) |

*Note: Dimension H represents the total distance from the seating plane to the uppermost surface, stand offs and/or risers inclusive.

Custom versions available upon request.

©2015 Signal Transformer Inc. Specifications subject to change without notice. 07.15



500 Bayview Avenue, Inwood, NY 11096
Toll Free 866-239-5777 • Tel 516-239-5777 • Fax 516-239-7208
sales@signaltransformer.com • techhelp@signaltransformer.com

Class 2 Transformers designed for Printed Circuit Mounting



Inherently or Non-Inherently Limited



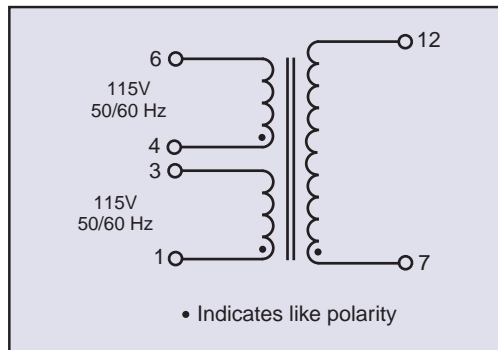
Signal's CL2 transformers are available in printed circuit and chassis mount versions. They are supplied as inherently or non-inherently limited units that are UL 1585 / UL 5085 recognized.

General Specifications

- Power - 2.5 VA to 50 VA
- Dielectric Strength - 4000 Vrms Hipot
- Primaries - Dual primaries, 115/230 V, 50/60 Hz,
- Secondaries - Single secondary
- Class 2 Rating - inherently or non-inherently limited (secondary fuse requirements below)
- Electrostatic Shield - Not necessary, split or dual bobbin construction
- Insulation System - Class F insulation, 155° C
- Flammability Rating - Bobbin and shroud material meet UL 94V0

Agency Certifications

- UL recognized to UL 1585 / UL 5085-3 Class 2, File # E116583
- CSA certified to C22.2 #66.1



Primaries are designed to be used simultaneously. That is, they must be used either series or parallel connected (as one winding).

| Part Number | Secondary RMS Rating | Secondary Fuse Required |
|-------------|----------------------|-------------------------|
| CL2-2.5R-12 | 12V @ 0.20A | N/A* |
| CL2-2.5R-24 | 24V @ 0.10A | N/A* |
| CL2-5.0R-12 | 12V @ 0.42A | N/A* |
| CL2-5.0R-24 | 24V @ 0.20A | N/A* |
| CL2-10R-12 | 12V @ 0.83A | N/A* |
| CL2-10R-24 | 24V @ 0.42A | N/A* |
| CL2-20-12 | 12V @ 1.66A | N/A* |
| CL2-20-24 | 24V @ 0.833A | N/A* |
| CL2-30-12 | 12V @ 2.50A | 3.0A** |
| CL2-30-24 | 24V @ 1.25A | 1.75A** |
| CL2-50-12 | 12V @ 4.20A | 5.0A** |
| CL2-50-24 | 24V @ 2.10A | 2.5A** |

* Inherently limited
 ** Non-inherently limited
 Maximum secondary fuse value specified
 All primaries are 115/230 V, 50/60 Hz

Custom versions available upon request.

©2015 Signal Transformer Inc. Specifications subject to change without notice. 07.15

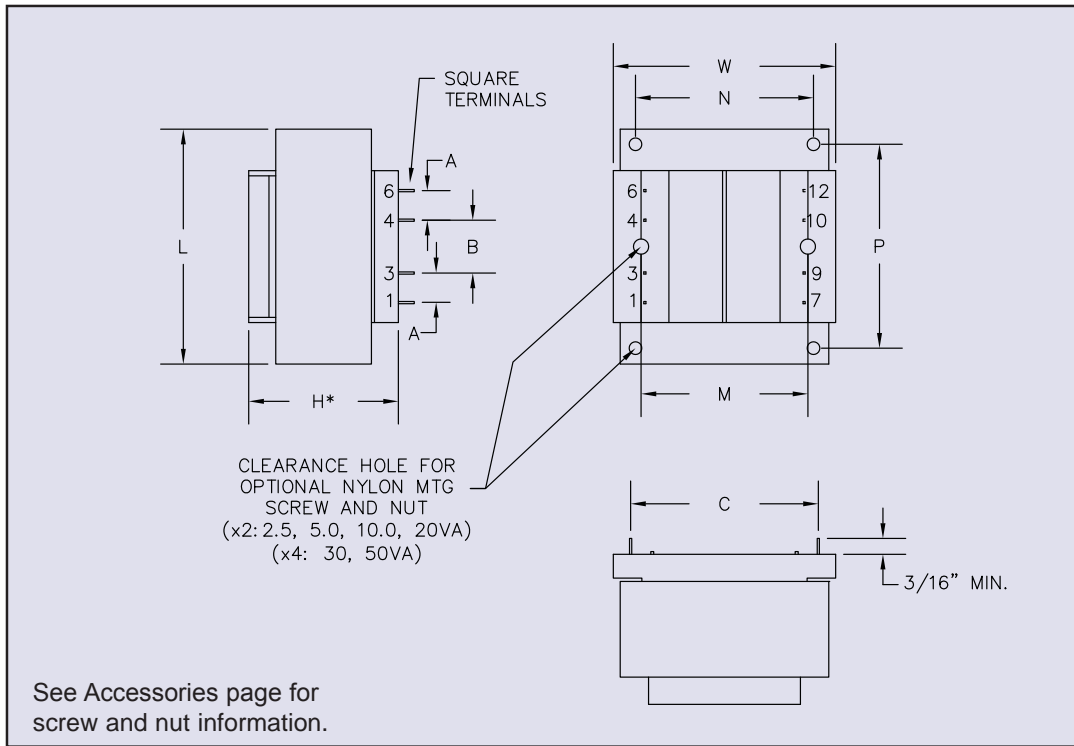


www.signaltransformer.com

500 Bayview Avenue, Inwood, NY 11096
 Toll Free 866-239-5777 • Tel 516-239-5777 • Fax 516-239-7208
 sales@signaltransformer.com • techhelp@signaltransformer.com

Class 2 Transformers designed for Printed Circuit Mounting

Inherently or Non-Inherently Limited



| VA | Dimensions | | | | | | Sq. Pin Dimension | Mounting Dimensions | | | Mounting Screw | | Weight |
|------|----------------|----------------|----------------|---------------|---------------|----------------|-------------------|---------------------|----------------|----------------|----------------|-----|----------------|
| | L | W | H* | A | B | C | | Inches (mm) | | | Size | Qty | |
| Size | Inches (mm) | | | | | | | M | N | P | | | lbs (kg) |
| 2.5 | 1.62 (41.3) | 1.43 (36.5) | 1.12 (28.6) | .20 (5.1) | .25 (6.4) | 1.00 (25.4) | 0.025 (0.64) | 1.06 (26.9) | - | - | #4 | 2 | 0.25 (0.11) |
| 5.0 | 1.62 (41.3) | 1.43 (36.5) | 1.37 (34.9) | .20 (5.1) | .40 (10.2) | 1.00 (25.4) | 0.025 (0.64) | 1.06 (26.9) | - | - | #4 | 2 | 0.37 (0.17) |
| 10.0 | 1.87 (47.6) | 1.56 (39.7) | 1.37 (34.9) | .20 (5.1) | .40 (10.2) | 1.14 (29.0) | 0.036 (0.91) | 1.25 (31.8) | - | - | #4 | 2 | 0.53 (0.24) |
| 20.0 | 2.25 (57.2) | 1.87 (47.6) | 1.62 (41.3) | .40 (10.2) | .40 (10.2) | 1.46 (37.1) | 0.036 (0.91) | 1.50 (38.1) | - | - | #4 | 2 | 0.90 (0.41) |
| 30.0 | 2.62 (66.7) | 2.18 (55.5) | 1.56 (39.7) | .55 (14.0) | .27 (7.0) | 1.68 (42.7) | 0.045 (1.02) | - | 1.75 (44.5) | 2.18 (55.5) | #6 | 4 | 1.15 (0.52) |
| 50.0 | 3.00 (76.2) | 2.50 (63.5) | 1.83 (46.5) | .60 (15.2) | .30 (7.6) | 1.90 (48.3) | 0.045 (1.02) | - | 2.00 (50.8) | 2.50 (63.5) | #6 | 4 | 1.70 (0.77) |

*Note: Dimension H represents the total distance from the seating plane to the uppermost surface, stand offs and/or risers inclusive.

Custom versions available upon request.

©2015 Signal Transformer Inc. Specifications subject to change without notice. 07.15



www.signaltransformer.com

500 Bayview Avenue, Inwood, NY 11096
Toll Free 866-239-5777 • Tel 516-239-5777 • Fax 516-239-7208
sales@signaltransformer.com • techhelp@signaltransformer.com

Flathead™ Low Profile Transformers Printed Circuit Mount



For Low Power and Critical Height Applications



Signal's LP transformers use hum-bucking (semi-toroidal) construction that minimizes radiated magnetic fields. These transformers are ideal for critical low-height PC board applications.

General Specifications

- Power - 2 VA to 48 VA
- Dielectric Strength - 1500 Vrms Hipot
- Primaries - Dual primaries, 115/230 V - 50/60Hz
- Secondaries - Series or parallel
- Height - 0.65" to 1.375" (16.5 mm to 34.9 mm)
- Insulation System - Class B, 130° C, UL 1446, E66312

Agency Certifications

- UL recognized to UL 506 / UL 5085-2, File # E63829
- CSA - NRTL/C22.2 #66.1, File # 221070



| Part Number | VA | | Secondary RMS Rating | |
|-------------|------|-----------------|----------------------|--|
| | Size | Series | Parallel | |
| LP-10-250 | 2 | 10VCT @ 250mA | 5V @ 500mA | |
| LP-10-600 | 6 | 10VCT @ 600mA | 5V @ 1.2A | |
| LP-10-1200 | 12 | 10VCT @ 1200mA | 5V @ 2.4A | |
| LP-10-2400 | 24 | 10VCT @ 2.40A | 5V @ 4.80A | |
| LP-10-4800 | 48 | 10VCT @ 4.80A | 5V @ 9.60A | |
| LP-12-200 | 2 | 12.6VCT @ 200mA | 6.3V @ 400mA | |
| LP-12-450 | 6 | 12.6VCT @ 450mA | 6.3V @ 900mA | |
| LP-12-900 | 12 | 12.6VCT @ 900mA | 6.3V @ 1.8A | |
| LP-12-1900 | 24 | 12.6VCT @ 1.90A | 6.3V @ 3.80A | |
| LP-12-3800 | 48 | 12.6VCT @ 3.80A | 6.3V @ 7.60A | |
| LP-16-150 | 2 | 16VCT @ 150mA | 8V @ 300mA | |
| LP-16-350 | 6 | 16VCT @ 350mA | 8V @ 700mA | |
| LP-16-700 | 12 | 16VCT @ 700mA | 8V @ 1.4A | |
| LP-16-1500 | 24 | 16VCT @ 1.50A | 8V @ 3.00A | |
| LP-16-3000 | 48 | 16VCT @ 3.00A | 8V @ 6.00A | |
| LP-20-125 | 2 | 20VCT @ 125mA | 10V @ 250mA | |
| LP-20-300 | 6 | 20VCT @ 300mA | 10V @ 600mA | |
| LP-20-600 | 12 | 20VCT @ 600mA | 10V @ 1.2A | |
| LP-20-1200 | 24 | 20VCT @ 1.20A | 10V @ 2.40A | |
| LP-20-2400 | 48 | 20VCT @ 2.40A | 10V @ 4.80A | |
| LP-24-100 | 2 | 24VCT @ 100mA | 12V @ 200mA | |
| LP-24-250 | 6 | 24VCT @ 250mA | 12V @ 500mA | |
| LP-24-500 | 12 | 24VCT @ 500mA | 12V @ 1.00A | |
| LP-24-1000 | 24 | 24VCT @ 1.00A | 12V @ 2.00A | |
| LP-24-2000 | 48 | 24VCT @ 2.00A | 12V @ 4.00A | |

| Part Number | VA | | Secondary RMS Rating | |
|-------------|------|----------------|----------------------|--|
| | Size | Series | Parallel | |
| LP-30-85 | 2 | 30VCT @ 85mA | 15V @ 170mA | |
| LP-30-200 | 6 | 30VCT @ 200mA | 15V @ 400mA | |
| LP-30-400 | 12 | 30VCT @ 400mA | 15V @ 800mA | |
| LP-30-800 | 24 | 30VCT @ 800mA | 15V @ 1.60A | |
| LP-30-1600 | 48 | 30VCT @ 1.60A | 15V @ 3.20A | |
| LP-34-75 | 2 | 34VCT @ 75mA | 17V @ 150mA | |
| LP-34-170 | 6 | 34VCT @ 170mA | 17V @ 340mA | |
| LP-34-340 | 12 | 34VCT @ 340mA | 17V @ 680mA | |
| LP-34-700 | 24 | 34VCT @ 700mA | 17V @ 1.40A | |
| LP-34-1400 | 48 | 34VCT @ 1.40A | 17V @ 2.80A | |
| LP-40-60 | 2 | 40VCT @ 60mA | 20V @ 120mA | |
| LP-40-150 | 6 | 40VCT @ 150mA | 20V @ 300mA | |
| LP-40-300 | 12 | 40VCT @ 300mA | 20V @ 600mA | |
| LP-40-600 | 24 | 40VCT @ 600mA | 20V @ 1.20A | |
| LP-40-1200 | 48 | 40VCT @ 1.20A | 20V @ 2.40A | |
| LP-56-45 | 2 | 56VCT @ 45mA | 28V @ 90mA | |
| LP-56-100 | 6 | 56VCT @ 100mA | 28V @ 200mA | |
| LP-56-200 | 12 | 56VCT @ 200mA | 28V @ 400mA | |
| LP-56-425 | 24 | 56VCT @ 425mA | 28V @ 850mA | |
| LP-56-850 | 48 | 56VCT @ 850mA | 28V @ 1.70A | |
| LP-88-28 | 2 | 88VCT @ 28mA | 44V @ 56mA | |
| LP-88-65 | 6 | 88VCT @ 65mA | 44V @ 130mA | |
| LP-88-130 | 12 | 88VCT @ 130mA | 44V @ 260mA | |
| LP-120-20 | 2 | 120VCT @ 20mA | 60V @ 40mA | |
| LP-120-50 | 6 | 120VCT @ 50mA | 60V @ 100mA | |
| LP-120-100 | 12 | 120VCT @ 100mA | 60V @ 200mA | |
| LP-230-10 | 2 | 230VCT @ 10mA | 115V @ 20mA | |
| LP-230-25 | 6 | 230VCT @ 25mA | 115V @ 50mA | |
| LP-230-50 | 12 | 230VCT @ 50mA | 115V @ 100mA | |

Custom versions available upon request.

©2015 Signal Transformer Inc. Specifications subject to change without notice. 07.15

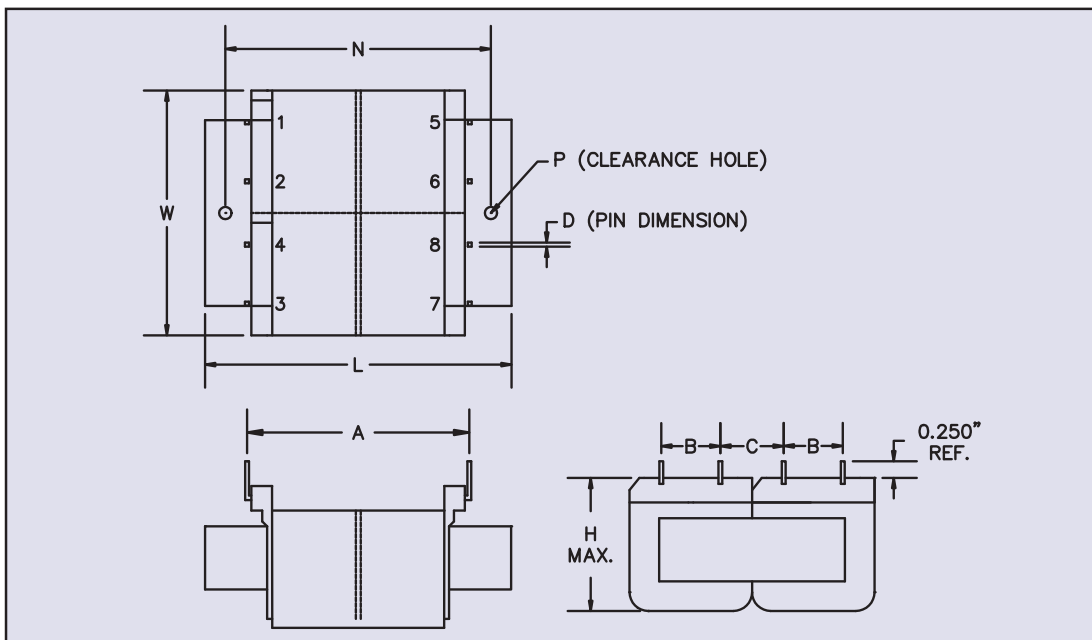
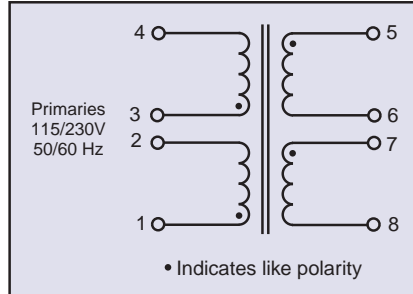


www.signaltransformer.com

500 Bayview Avenue, Inwood, NY 11096
Toll Free 866-239-5777 • Tel 516-239-5777 • Fax 516-239-7208
sales@signaltransformer.com • techhelp@signaltransformer.com

Flathead™ Low Profile Transformers Printed Circuit Mount

For Low Power and Critical Height Applications



| VA | Dimensions | | | | | | | | | Weight |
|------|----------------|----------------|----------------|----------------|----------------|----------------|----------------|------------------------------|--------------------------------|--------------|
| | A | B | C | L | W | H | N | D | P | |
| Size | Inches (mm) | | | | | | | | | oz (kg) |
| 2 | 1.60 (40.6) | 0.37 (9.5) | 0.37 (9.5) | 1.87 (47.5) | 1.56 (39.6) | 0.65 (16.5) | - | .041 x .020 (1.04 x 0.51) | - | 5 (0.14) |
| 6 | 1.60 (40.6) | 0.37 (9.5) | 0.37 (9.5) | 1.87 (47.5) | 1.56 (39.6) | 0.85 (21.6) | - | .041 x .020 (1.04 x 0.51) | - | 7 (0.20) |
| 12 | 2.00 (50.8) | 0.50 (12.7) | 0.50 (12.7) | 2.50 (63.5) | 2.00 (50.8) | 1.06 (27.1) | - | .041 x .020 (1.04 x 0.51) | - | 11 (0.31) |
| 24 | 1.90 (48.3) | 0.60 (15.2) | 0.53 (13.5) | 2.87 (72.9) | 2.25 (57.2) | 1.25 (31.8) | 2.41 (61.2) | .041 SQ pin (1.04 SQ mm) | Clearance Hole for #4 Screw | 15 (0.43) |
| 48 | 2.18 (55.4) | 0.60 (15.2) | 0.66 (16.8) | 3.12 (79.2) | 2.50 (63.5) | 1.37 (34.9) | 2.62 (66.5) | .041 SQ pin (1.04 SQ mm) | Clearance Hole for #6 Screw | 21 (0.60) |

Custom versions available upon request.

©2015 Signal Transformer Inc. Specifications subject to change without notice. 07.15

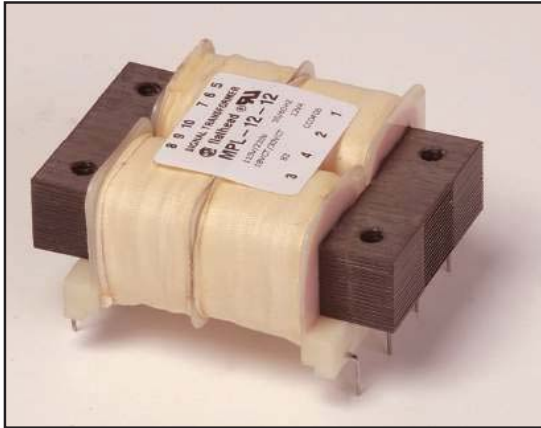


www.signaltransformer.com

500 Bayview Avenue, Inwood, NY 11096
Toll Free 866-239-5777 • Tel 516-239-5777 • Fax 516-239-7208
sales@signaltransformer.com • techhelp@signaltransformer.com

Low Profile Printed Circuit Mount Triple Output Transformers

For 5 VDC and ± 12 VDC or ± 15 VDC Regulated Power Supplies



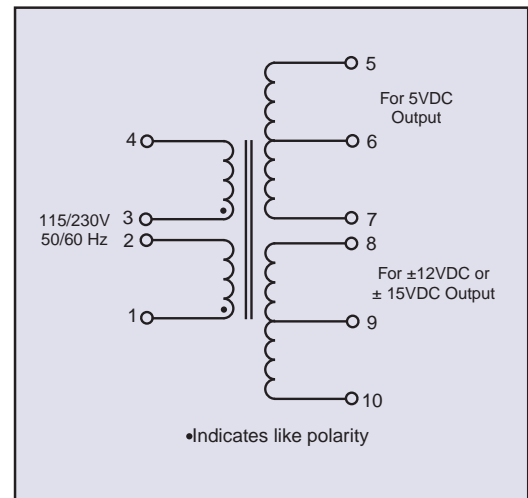
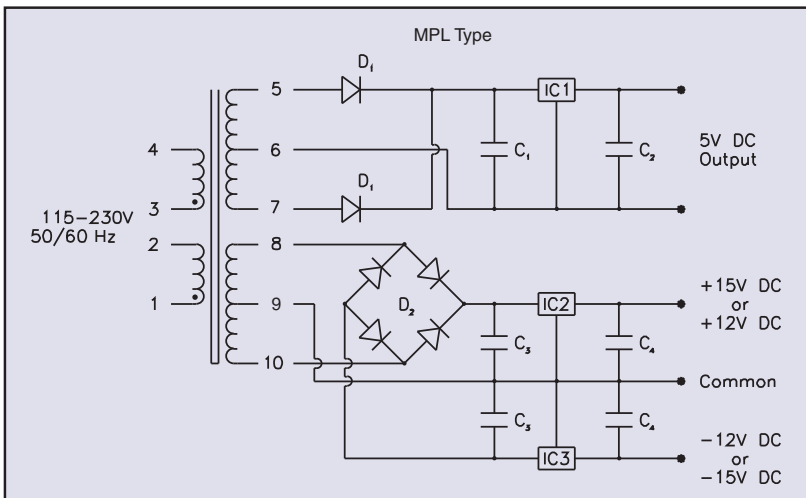
MPL Series

General Specifications

- Power - 6 VA and 12 VA
- Dielectric Strength - 1500 Vrms Hipot
- Primaries - Dual primaries, 115/230 V nominal, 50/60 Hz, input range 100 V to 130 V or 200 V to 260 V
- Secondaries - Dual complementary outputs, 5 VDC with ± 12 VDC or 5 VDC with ± 15 VDC
- Electrostatic shield - not necessary due to split bobbin construction
- Reduced magnetic radiation
- Height - 0.85" and 1.065" high
- Insulation System - Class B, 130° C, UL 1446 E66312

Agency Certifications

- UL recognized to UL 506 / UL 5085-2, File # E63829
- CSA certified to C22.2 #66.1, File # 221070



| Part Number | DC Output | | VA Size | Suggested Components | | | | | | | |
|-------------|----------------|----------------------|---------|----------------------|----------------|----------------|----------------|--------------------|--------------------|-------------------|-------------------|
| | Regulator I | Regulator II | | C ₁ | C ₂ | C ₃ | C ₄ | D ₁ (2) | D ₂ (4) | IC ₁ * | IC ₂ * |
| MPL-6-12 | 5 VDC 135mA | ± 12 VDC 40mA | 6 | 1000MFD 20V | 2.7MFD 20V | 150MFD 50V | 10MFD 20V | 1N4001 | 1N4002 | LM342P-5.0 | LM326N |
| MPL-6-15 | 5 VDC 135mA | ± 15 VDC 35mA | 6 | 1000MFD 20V | 2.7MFD 20V | 150MFD 50V | 10MFD 20V | 1N4001 | 1N4002 | LM342P-5.0 | LM325N |
| MPL-12-12 | 5 VDC 270mA | ± 12 VDC 85mA | 12 | 2100MFD 30V | 2.7MFD 20V | 250MFD 50V | 10MFD 20V | 1N4001 | 1N4002 | LM341P-5.0 | LM326N |
| MPL-12-15 | 5 VDC 270mA | ± 15 VDC 70mA | 12 | 2100MFD 30V | 2.7MFD 20V | 250MFD 50V | 10MFD 20V | 1N4001 | 1N4002 | LM341P-5.0 | LM325N |

* National Semiconductor

Custom versions available upon request.

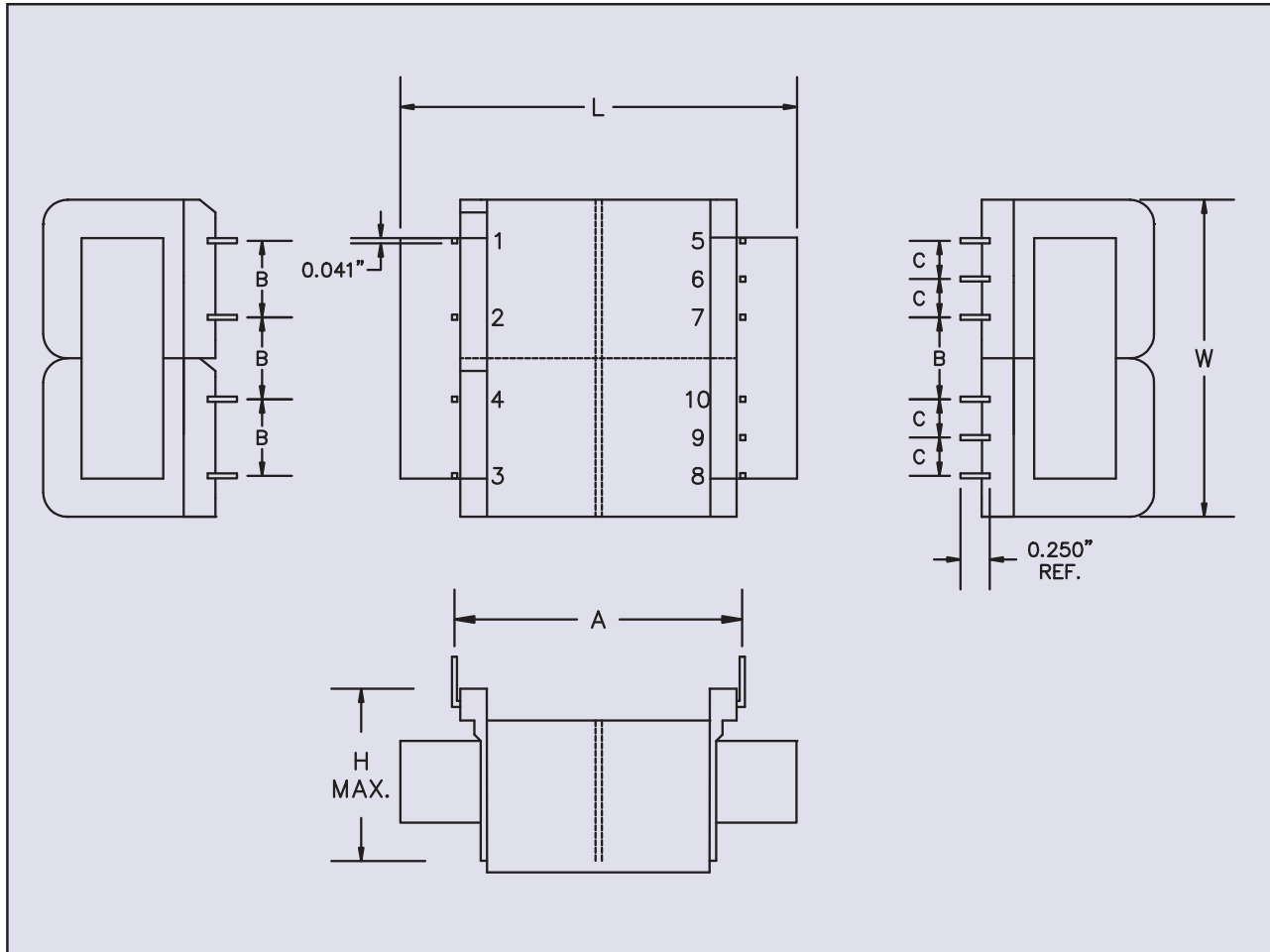
©2015 Signal Transformer Inc. Specifications subject to change without notice. 07.15



500 Bayview Avenue, Inwood, NY 11096
Toll Free 866-239-5777 • Tel 516-239-5777 • Fax 516-239-7208
sales@signaltransformer.com • techhelp@signaltransformer.com

Low Profile Printed Circuit Mount Triple Output Transformers

For 5 VDC and ± 12 VDC or ± 15 VDC Regulated Power Supplies



| VA | Dimensions | | | | | | Weight |
|------|----------------|----------------|----------------|----------------|----------------|---------------|----------------|
| | L | W | H | A | B | C | |
| Size | Inches (mm) | | | | | | lbs (kg) |
| 6 | 1.87 (47.6) | 1.56 (39.7) | 0.85 (21.6) | 1.60 (40.6) | 0.37 (9.5) | 0.18 (4.7) | 0.43 (0.20) |
| 12 | 2.50 (63.5) | 2.00 (50.8) | 1.06 (27.1) | 2.00 (50.8) | 0.50 (12.7) | 0.25 (6.4) | 0.68 (0.31) |

Custom versions available upon request.

©2015 Signal Transformer Inc. Specifications subject to change without notice. 07.15



500 Bayview Avenue, Inwood, NY 11096
Toll Free 866-239-5777 • Tel 516-239-5777 • Fax 516-239-7208
sales@signaltransformer.com • techhelp@signaltransformer.com

International Flathead™ Low Profile Transformers • Printed Circuit Mount

For Critical Height and International Safety Requirements



Signal's IF transformers utilize unique insulating techniques including full encapsulation to meet international safety requirements. These transformers are ideal for low power applications where minimum height and reduced magnetic radiation are required.

General Specifications

- Power - 2 VA to 30 VA
- Dielectric Strength - 4000 Vrms Hipot
- Dual Primaries - 115/230 V, 50/60 Hz
- Dual Secondaries - Series or parallel
- Height - 0.69" to 1.39" (17.5 mm to 35.3 mm) height
- Insulation System - Class B, 130° C

Agency Certifications

- UL 1446 (E66312)
- UL recognized to UL 506 / UL 5085-2, File # E63829
- CSA certified to C22.2 #66.1, File # 221070
- VDE certified to VDE 0805 / EN 60950, File # 8325



| Part Number | VA | | Secondary RMS Rating | |
|-------------|------|----------------|----------------------|--|
| | Size | Series | Parallel | |
| IF-2-10 | 2 | 10VCT @ 200mA | 5V @ 400mA | |
| IF-2-12 | 2 | 12VCT @ 170mA | 6V @ 340mA | |
| IF-2-16 | 2 | 16VCT @ 125mA | 8V @ 250mA | |
| IF-2-20 | 2 | 20VCT @ 100mA | 10V @ 200mA | |
| IF-2-24 | 2 | 24VCT @ 85mA | 12V @ 170mA | |
| IF-2-30 | 2 | 30VCT @ 70mA | 15V @ 140mA | |
| IF-2-34 | 2 | 34VCT @ 60mA | 17V @ 120mA | |
| IF-2-40 | 2 | 40VCT @ 50mA | 20V @ 100mA | |
| IF-2-56 | 2 | 56VCT @ 40mA | 28V @ 80mA | |
| IF-2-230 | 2 | 230VCT @ 9 mA | 115V @ 18mA | |
| IF-4-10 | 4 | 10VCT @ 400 mA | 5V @ 800mA | |
| IF-4-12 | 4 | 12VCT @ 335mA | 6V @ 670mA | |
| IF-4-16 | 4 | 16VCT @ 250mA | 8V @ 500mA | |
| IF-4-20 | 4 | 20VCT @ 200mA | 10V @ 400mA | |
| IF-4-24 | 4 | 24VCT @ 170mA | 12V @ 340mA | |
| IF-4-30 | 4 | 30VCT @ 135mA | 15V @ 270mA | |
| IF-4-34 | 4 | 34VCT @ 120mA | 17V @ 240mA | |
| IF-4-40 | 4 | 40VCT @ 100mA | 20V @ 200mA | |
| IF-4-56 | 4 | 56VCT @ 70mA | 28V @ 140mA | |
| IF-4-230 | 4 | 230VCT @ 18mA | 115V @ 36mA | |
| IF-6-10 | 6 | 10VCT @ 600mA | 5V @ 1.20A | |
| IF-6-12 | 6 | 12VCT @ 500mA | 6V @ 1.00A | |
| IF-6-16 | 6 | 16VCT @ 375mA | 8V @ 750mA | |
| IF-6-20 | 6 | 20VCT @ 300mA | 10V @ 600mA | |
| IF-6-24 | 6 | 24VCT @ 250mA | 12V @ 500mA | |
| IF-6-30 | 6 | 30VCT @ 200mA | 15V @ 400mA | |
| IF-6-34 | 6 | 34VCT @ 180mA | 17V @ 360mA | |
| IF-6-40 | 6 | 40VCT @ 150mA | 20V @ 300mA | |
| IF-6-56 | 6 | 56VCT @ 110mA | 28V @ 220mA | |
| IF-6-230 | 6 | 230VCT @ 25mA | 115V @ 50mA | |
| IF-10-10 | 10 | 10VCT @ 1.00A | 5V @ 2.00A | |
| IF-10-12 | 10 | 12VCT @ 835mA | 6V @ 1.67A | |
| IF-10-16 | 10 | 16VCT @ 625mA | 8V @ 1.25A | |
| IF-10-20 | 10 | 20VCT @ 500mA | 10V @ 1.00A | |
| IF-10-24 | 10 | 24VCT @ 420mA | 12V @ 840mA | |
| IF-10-30 | 10 | 30VCT @ 335mA | 15V @ 670mA | |
| IF-10-34 | 10 | 34VCT @ 300mA | 17V @ 600mA | |
| IF-10-40 | 10 | 40VCT @ 250mA | 20V @ 500mA | |
| IF-10-56 | 10 | 56VCT @ 180mA | 28V @ 360mA | |
| IF-10-230 | 10 | 230VCT @ 45mA | 115V @ 90mA | |

| Part Number | VA | | Secondary RMS Rating | |
|-------------|------|----------------|----------------------|--|
| | Size | Series | Parallel | |
| IF-14-10 | 14 | 10VCT @ 1.40A | 5V @ 2.80A | |
| IF-14-12 | 14 | 12VCT @ 1.20A | 6V @ 2.40A | |
| IF-14-16 | 14 | 16VCT @ 875mA | 8V @ 1.75A | |
| IF-14-20 | 14 | 20VCT @ 700mA | 10V @ 1.40A | |
| IF-14-24 | 14 | 24VCT @ 600mA | 12V @ 1.20A | |
| IF-14-30 | 14 | 30VCT @ 470mA | 15V @ 940mA | |
| IF-14-34 | 14 | 34VCT @ 415mA | 17V @ 830mA | |
| IF-14-40 | 14 | 40VCT @ 350mA | 20V @ 700mA | |
| IF-14-56 | 14 | 56VCT @ 250mA | 28V @ 500mA | |
| IF-14-230 | 14 | 230VCT @ 60mA | 115V @ 120mA | |
| IF-18-10 | 18 | 10VCT @ 1.80A | 5V @ 3.60A | |
| IF-18-12 | 18 | 12VCT @ 1.50A | 6V @ 3.00A | |
| IF-18-16 | 18 | 16VCT @ 1.15A | 8V @ 2.30A | |
| IF-18-20 | 18 | 20VCT @ 900mA | 10V @ 1.80A | |
| IF-18-24 | 18 | 24VCT @ 750mA | 12V @ 1.50A | |
| IF-18-30 | 18 | 30VCT @ 600mA | 15V @ 1.20A | |
| IF-18-34 | 18 | 34VCT @ 530mA | 17V @ 1.06A | |
| IF-18-40 | 18 | 40VCT @ 450mA | 20V @ 900mA | |
| IF-18-56 | 18 | 56VCT @ 320mA | 28V @ 640mA | |
| IF-18-230 | 18 | 230VCT @ 80mA | 115V @ 160mA | |
| IF-24-10 | 24 | 10VCT @ 2.40A | 5V @ 4.80A | |
| IF-24-12 | 24 | 12VCT @ 2.00A | 6V @ 4.00A | |
| IF-24-16 | 24 | 16VCT @ 1.50A | 8V @ 3.00A | |
| IF-24-20 | 24 | 20VCT @ 1.20A | 10V @ 2.40A | |
| IF-24-24 | 24 | 24VCT @ 1.00A | 12V @ 2.00A | |
| IF-24-30 | 24 | 30VCT @ 800mA | 15V @ 1.60A | |
| IF-24-34 | 24 | 34VCT @ 700mA | 17V @ 1.40A | |
| IF-24-40 | 24 | 40VCT @ 600mA | 20V @ 1.20A | |
| IF-24-56 | 24 | 56VCT @ 430mA | 28V @ 860mA | |
| IF-24-230 | 24 | 230VCT @ 105mA | 115V @ 210mA | |
| IF-30-10 | 30 | 10VCT @ 3.00A | 5V @ 6.00A | |
| IF-30-12 | 30 | 12VCT @ 2.50A | 6V @ 5.00A | |
| IF-30-16 | 30 | 16VCT @ 1.90A | 8V @ 3.80A | |
| IF-30-20 | 30 | 20VCT @ 1.50A | 10V @ 3.00A | |
| IF-30-24 | 30 | 24VCT @ 1.25A | 12V @ 2.50A | |
| IF-30-30 | 30 | 30VCT @ 1.00A | 15V @ 2.00A | |
| IF-30-34 | 30 | 34VCT @ 900mA | 17V @ 1.80A | |
| IF-30-40 | 30 | 40VCT @ 750mA | 20V @ 1.50A | |
| IF-30-56 | 30 | 56VCT @ 550mA | 28V @ 1.10A | |
| IF-30-230 | 30 | 230VCT @ 130mA | 115V @ 260mA | |

Custom versions available upon request.

©2015 Signal Transformer Inc. Specifications subject to change without notice. 07.15

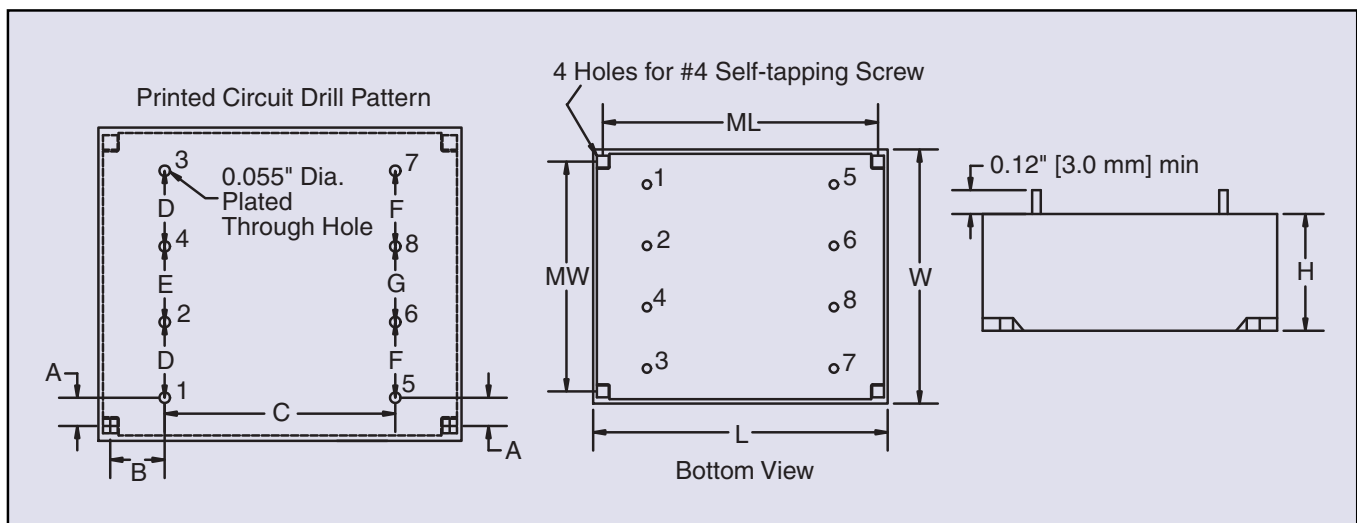
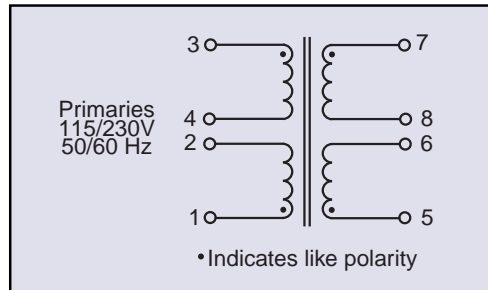


www.signaltransformer.com

500 Bayview Avenue, Inwood, NY 11096
 Toll Free 866-239-5777 • Tel 516-239-5777 • Fax 516-239-7208
 sales@signaltransformer.com • techhelp@signaltransformer.com

International Flathead™ Low Profile Transformers • Printed Circuit Mount

For Critical Height and International Safety Requirements



| VA | L | W | H | ML | MW | A | B | C | D | E | F | G | Weight |
|------|----------------|----------------|----------------|----------------|----------------|---------------|---------------|----------------|----------------|----------------|----------------|----------------|----------------|
| Size | Inches (mm) | | | | | | | | | | | | oz (kg) |
| 2 | 2.09 (53.0) | 1.73 (44.0) | 0.69 (17.6) | 1.87 (47.5) | 1.48 (37.5) | 0.05 (1.3) | 0.25 (6.3) | 1.38 (35.0) | 0.39 (10.0) | 0.39 (10.0) | 0.59 (15.0) | 0.19 (5.0) | 4.6 (0.13) |
| 4 | 2.09 (53.0) | 1.73 (44.0) | 0.77 (19.6) | 1.87 (47.5) | 1.48 (37.5) | 0.05 (1.3) | 0.25 (6.3) | 1.38 (35.0) | 0.39 (10.0) | 0.39 (10.0) | 0.59 (15.0) | 0.19 (5.0) | 5.4 (0.15) |
| 6 | 2.09 (53.0) | 1.73 (44.0) | 0.89 (22.6) | 1.87 (47.5) | 1.48 (37.5) | 0.05 (1.3) | 0.25 (6.3) | 1.38 (35.0) | 0.39 (10.0) | 0.39 (10.0) | 0.59 (15.0) | 0.19 (5.0) | 6.9 (0.20) |
| 10 | 2.66 (67.6) | 2.24 (57.0) | 0.89 (22.6) | 2.46 (62.5) | 1.97 (50.0) | 0.28 (7.1) | 0.34 (8.8) | 1.77 (45.0) | 0.59 (15.0) | 0.43 (10.9) | 0.39 (10.0) | 0.63 (15.9) | 10.3 (0.29) |
| 14 | 2.66 (67.6) | 2.24 (57.0) | 0.96 (24.3) | 2.46 (62.5) | 1.97 (50.0) | 0.28 (7.1) | 0.34 (8.8) | 1.77 (45.0) | 0.59 (15.0) | 0.43 (10.9) | 0.39 (10.0) | 0.63 (15.9) | 11.9 (0.34) |
| 18 | 2.66 (67.6) | 2.24 (57.0) | 1.09 (27.6) | 2.46 (62.5) | 1.97 (50.0) | 0.28 (7.1) | 0.34 (8.8) | 1.77 (45.0) | 0.59 (15.0) | 0.43 (10.9) | 0.39 (10.0) | 0.63 (15.9) | 14.1 (0.40) |
| 24 | 2.68 (68.0) | 2.26 (57.5) | 1.23 (31.3) | 2.46 (62.5) | 1.97 (50.0) | 0.28 (7.2) | 0.34 (8.8) | 1.77 (45.0) | 0.59 (15.0) | 0.43 (10.9) | 0.39 (10.0) | 0.63 (15.9) | 16.5 (0.47) |
| 30 | 2.68 (68.0) | 2.26 (57.5) | 1.39 (35.3) | 2.46 (62.5) | 1.97 (50.0) | 0.28 (7.2) | 0.34 (8.8) | 1.77 (45.0) | 0.59 (15.0) | 0.43 (10.9) | 0.39 (10.0) | 0.63 (15.9) | 19.7 (0.58) |

Custom versions available upon request.

©2015 Signal Transformer Inc. Specifications subject to change without notice. 07.15



www.signaltransformer.com

500 Bayview Avenue, Inwood, NY 11096
Toll Free 866-239-5777 • Tel 516-239-5777 • Fax 516-239-7208
sales@signaltransformer.com • techhelp@signaltransformer.com

Low Profile International Transformers Printed Circuit Mount Encapsulated



Direct Plug-in Replacement for Original FlatHead™ Design
Low Profile Transformers



Features and Benefits

- Encapsulated in order to meet harsh environmental conditions
- Rigid pin construction for easier board insertion and higher reliability
- Mounting holes provided for greater resistance to shock and vibration
- Improved electrical characteristics - regulation, temperature rise, efficiency, etc.
- Reduced magnetic radiation

General Specifications

- Power - 2.5 VA to 18 VA
- Dielectric Strength - 4000 Vrms Hipot
- Primaries - Dual primaries, 115/230 V - 50/60Hz
- Secondaries - Series or parallel
- Height - 1.050" to 1.22"
- Insulation System - Class B, 130° C

Agency Certifications

- UL recognized to UL 506 / UL 5085-2, File # E63829
- CSA certified to C22.2 #66.1, File # 221070
- TUV Rheinland Certified IEC / EN 60950, License # 744985



| Part Number | VA | Secondary RMS Rating | |
|-------------|------|----------------------|---------------|
| | Size | Series | Parallel |
| 10-250-LPI | 2.5 | 10 VCT @ 250 mA | 5V @ 500 mA |
| 12-200-LPI | 2.5 | 12.6VCT@ 200 mA | 6.3V@ 400 mA |
| 16-150-LPI | 2.5 | 16 VCT @ 150 mA | 8V @ 300 mA |
| 20-125-LPI | 2.5 | 20 VCT @ 125 mA | 10V @ 250 mA |
| 24-100-LPI | 2.5 | 24 VCT @ 100 mA | 12V @ 200 mA |
| 30-85-LPI | 2.5 | 30 VCT @ 85 mA | 15V @ 170 mA |
| 34-75-LPI | 2.5 | 34 VCT @ 75 mA | 17V @ 150 mA |
| 40-60-LPI | 2.5 | 40 VCT @ 60 mA | 20V @ 120 mA |
| 56-45-LPI | 2.5 | 56 VCT @ 45 mA | 28V @ 90 mA |
| 230-10-LPI | 2.5 | 230VCT @ 10 mA | 115V@ 20 mA |
| 10-600-LPI | 6 | 10 VCT @ 600 mA | 5V @ 1.2 A |
| 12-450-LPI | 6 | 12.6VCT@ 450 mA | 6.3V@ 900 mA |
| 16-350-LPI | 6 | 16 VCT @ 350 mA | 8V @ 700 mA |
| 20-300-LPI | 6 | 20 VCT @ 300 mA | 10V @ 600 mA |
| 24-250-LPI | 6 | 24 VCT @ 250 mA | 12V @ 500 mA |
| 30-200-LPI | 6 | 30 VCT @ 200 mA | 15V @ 400 mA |
| 34-170-LPI | 6 | 34 VCT @ 170 mA | 17V @ 340 mA |
| 40-150-LPI | 6 | 40 VCT @ 150 mA | 20V @ 300 mA |
| 56-100-LPI | 6 | 56 VCT @ 100 mA | 28V @ 200 mA |
| 230-25-LPI | 6 | 230VCT @ 25 mA | 115V@ 50 mA |
| 10-900-LPI | 9 | 10 VCT @ 900 mA | 5V @ 1.8 A |
| 12-725-LPI | 9 | 12.6VCT@ 725 mA | 6.3V @ 1.45 A |
| 16-560-LPI | 9 | 16 VCT @ 560 mA | 8V @ 1.12 A |
| 20-450-LPI | 9 | 20 VCT @ 450 mA | 10V @ 900 mA |
| 24-375-LPI | 9 | 24 VCT @ 375 mA | 12V @ 750 mA |

| Part Number | VA | Secondary RMS Rating | |
|-------------|------|----------------------|--------------|
| | Size | Series | Parallel |
| 30-300-LPI | 9 | 30 VCT @ 300 mA | 15V @ 600 mA |
| 34-265-LPI | 9 | 34 VCT @ 265 mA | 17V @ 530 mA |
| 40-225-LPI | 9 | 40 VCT @ 225 mA | 20V @ 450 mA |
| 56-160-LPI | 9 | 56 VCT @ 160mA | 28V @ 320mA |
| 230-40-LPI | 9 | 230VCT @ 40mA | 115V@ 80mA |
| 10-1200-LPI | 12 | 10 VCT @ 1.2 A | 5V @ 2.4 A |
| 12-900-LPI | 12 | 12.6VCT @ 900 mA | 6.3V @ 1.8 A |
| 16-700-LPI | 12 | 16 VCT @ 700 mA | 8V @ 1.4 A |
| 20-600-LPI | 12 | 20 VTC @ 600 mA | 10V @ 1.2 A |
| 24-500-LPI | 12 | 24 VCT @ 500 mA | 12V @ 1 A |
| 30-400-LPI | 12 | 30 VCT @ 400 mA | 15V @ 800 mA |
| 34-340-LPI | 12 | 34 VCT @ 340 mA | 17V @ 680 mA |
| 40-300-LPI | 12 | 40 VCT @ 300 mA | 20V @ 600 mA |
| 56-200-LPI | 12 | 56 VCT @ 200 mA | 28V @ 400 mA |
| 230-50-LPI | 12 | 230VCT @ 50 mA | 115V@ 100 mA |
| 10-1800-LPI | 18 | 10 VCT @ 1.8 A | 5V @ 3.6 A |
| 12-1500-LPI | 18 | 12.6VCT @ 1.5 A | 6.3V @ 3 A |
| 16-1100-LPI | 18 | 16 VCT @ 1.1 A | 8V @ 2.2 A |
| 20-900-LPI | 18 | 20 VCT @ 900 mA | 10V @ 1.8 A |
| 24-750-LPI | 18 | 24 VCT @ 750 mA | 12V @ 1.5 A |
| 30-600-LPI | 18 | 30 VCT @ 600 mA | 15V @ 1.2 A |
| 34-500-LPI | 18 | 34 VCT @ 500 mA | 17V @ 1 A |
| 40-450-LPI | 18 | 40 VCT @ 450 mA | 20V @ 900 mA |
| 56-320-LPI | 18 | 56 VCT @ 320 mA | 28V @ 640 mA |
| 230-75-LPI | 18 | 230VCT @ 75 mA | 115V@ 150 mA |

Custom versions available upon request.

©2015 Signal Transformer Inc. Specifications subject to change without notice. 07.15

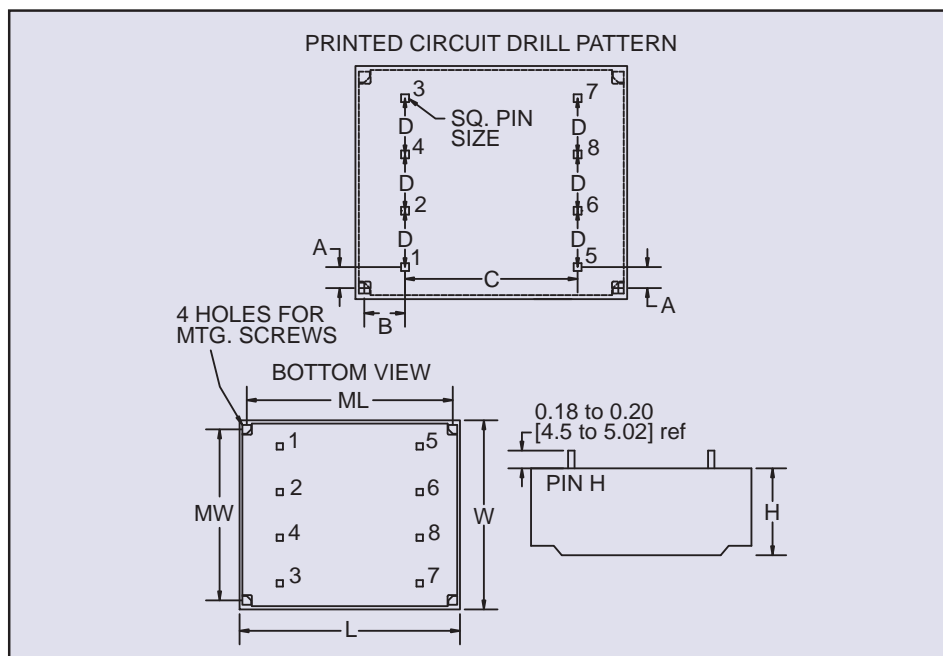
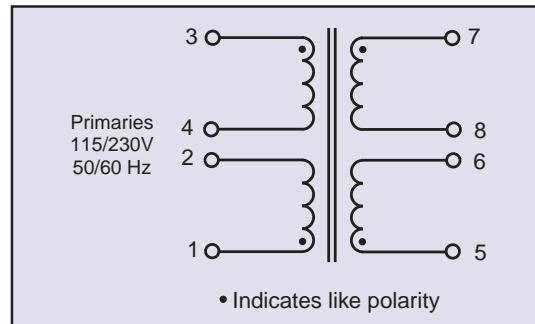


www.signaltransformer.com

500 Bayview Avenue, Inwood, NY 11096
Toll Free 866-239-5777 • Tel 516-239-5777 • Fax 516-239-7208
sales@signaltransformer.com • techhelp@signaltransformer.com

Low Profile International Transformers Printed Circuit Mount Encapsulated

Direct Plug-in Replacement for Original FlatHead™ Design
Low Profile Transformers



| VA | Dimensions | | | | | | | | | Weight | Self Tap Screw Size | Pin Size |
|------|---------------|---------------|----------------|----------------|----------------|----------------|----------------|----------------|----------------|----------------|---------------------|----------------|
| | A | B | C | D | L | W | H | ML | MW | | | |
| Size | Inches (mm) | | | | | | | | | lbs (kg) | | Inches (mm) |
| 2.5 | 0.19 (4.8) | 0.29 (7.2) | 1.61 (40.9) | 0.37 (9.4) | 2.37 (60.2) | 1.65 (42.1) | 0.72 (18.3) | 2.19 (55.6) | 1.50 (38.1) | 0.27 (0.12) | #4 | .025 (.635) |
| 6 | 0.19 (4.8) | 0.29 (7.2) | 1.61 (40.9) | 0.37 (9.4) | 2.37 (60.2) | 1.65 (42.1) | 0.89 (22.7) | 2.19 (55.6) | 1.50 (38.1) | 0.39 (0.17) | #4 | .025 (.635) |
| 9 | 0.19 (4.8) | 0.29 (7.2) | 1.61 (40.9) | 0.37 (9.4) | 2.37 (60.2) | 1.65 (42.1) | 1.08 (27.4) | 2.19 (55.6) | 1.50 (38.1) | 0.51 (0.23) | #4 | .025 (.635) |
| 12 | 0.22 (5.6) | 0.20 (5.1) | 2.02 (51.3) | 0.50 (12.7) | 2.63 (66.8) | 2.19 (55.6) | 1.06 (26.6) | 2.38 (60.4) | 1.94 (49.2) | 0.75 (0.34) | #6 | .036 (.914) |
| 18 | 0.22 (5.6) | 0.20 (5.1) | 2.02 (51.3) | 0.50 (12.7) | 2.63 (66.8) | 2.19 (55.6) | 1.18 (30.0) | 2.38 (60.4) | 1.94 (49.2) | 0.95 (0.43) | #6 | .036 (.914) |

Custom versions available upon request.

©2015 Signal Transformer Inc. Specifications subject to change without notice. 07.15



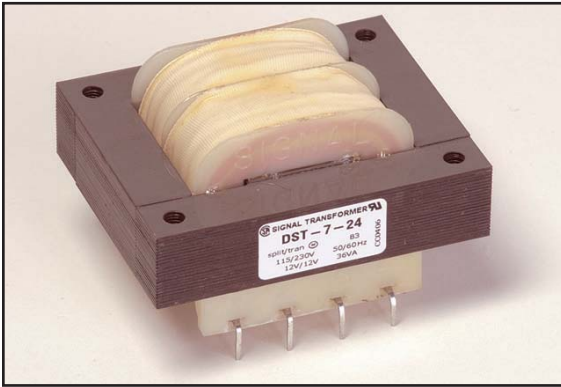
www.signaltransformer.com

500 Bayview Avenue, Inwood, NY 11096
Toll Free 866-239-5777 • Tel 516-239-5777 • Fax 516-239-7208
sales@signaltransformer.com • techhelp@signaltransformer.com

Split/Tran™, Specialty Purpose & Class 2 Transformers • Printed Circuit Mount



Split Bobbin with High Isolation



Signal's ST and DST transformers use a split bobbin that provides superior isolation and low capacitive coupling.

General Specifications

- Power - 1.1 VA to 36 VA
- Dielectric Strength - 2500 Vrms Hipot
- Primaries - Single or dual primaries, 115 V or 115/230 V, 50/60 Hz
- Secondaries - Series or parallel
- Electrostatic Shield - Not necessary, split bobbin construction
- Insulation System - Class B, 130° C
- Mounting Hardware - see chart

Agency Certifications

- UL 1446 Class B insulation systems, File # E66312
- UL Recognized 506 / UL 5085-1, 2, File # E63829
- CSA certified to C22.2 #66.1, File # 221070
- cCSAus certified to C22.2 #66.3 / UL 5085-3, File #221070
- Class 2 – marked with (*) or (**) or (#)
- **CSA certified as Inherently Limited

* CSA certified as Non Inherently Limited – see recommended fuse rating on next page
UL Recognized UL5085-3, Inherently Limited File # E116583



| Part Number | | Secondary RMS Rating | |
|----------------------|------------------------|----------------------|------------------|
| Single 115V 6 Pin | Dual 115/230V 8 Pin | Series | Parallel |
| ST-2-10** | DST-2-10** | 10VCT @ 0.11A | 5V @ 0.22A |
| ST-3-10* | DST-3-10* | 10VCT @ 0.25A (5) | 5V @ 0.5A (9) |
| ST-4-10* | DST-4-10* | 10VCT @ 0.6A (9) | 5V @ 1.2A (11) |
| ST-5-10* | DST-5-10* | 10VCT @ 1.2A (11) | 5V @ 2.4A (12) |
| ST-6-10 | DST-6-10 | 10VCT @ 2.0A | 5V @ 4.0A |
| ST-7-10 | DST-7-10 | 10VCT @ 3.6A | 5V @ 7.2A |
| ST-2-12** | DST-2-12** | 12.6VCT @ 0.09A | 6.3V @ 0.18A |
| ST-3-12* | DST-3-12* | 12.6VCT @ 0.2A (4) | 6.3V @ 0.4A (8) |
| ST-4-12* | DST-4-12* | 12.6VCT @ 0.5A (9) | 6.3V @ 1.0A (11) |
| ST-5-12* | DST-5-12* | 12.6VCT @ 1.0A (11) | 6.3V @ 2.0A (13) |
| ST-6-12 | DST-6-12 | 12.6VCT @ 1.6A | 6.3V @ 3.2A |
| ST-7-12 | DST-7-12 | 12.6VCT @ 2.85A | 6.3V @ 5.7A |
| ST-2-16** | DST-2-16** | 16VCT @ 0.07A | 8V @ 0.14A |
| ST-3-16* | DST-3-16* | 16VCT @ 0.15A (3) | 8V @ 0.3A (6) |
| ST-4-16* | DST-4-16*# | 16VCT @ 0.4A (7) | 8V @ 0.8A (10) |
| ST-5-16* | DST-5-16* | 16VCT @ 0.8A (10) | 8V @ 1.6A (11) |
| ST-6-16 | DST-6-16 | 16VCT @ 1.25A | 8V @ 2.5A |
| ST-7-16 | DST-7-16 | 16VCT @ 2.25A | 8V @ 4.5A |
| ST-2-20** | DST-2-20** | 20VCT @ 0.055A | 10V @ 0.11A |
| ST-3-20* | DST-3-20* | 20VCT @ 0.12A (2) | 10V @ 0.24A (5) |
| ST-4-20* | DST-4-20* | 20VCT @ 0.3A (6) | 10V @ 0.6A (9) |
| ST-5-20* | DST-5-20* | 20VCT @ 0.6A (9) | 10V @ 1.2A (11) |
| ST-6-20 | DST-6-20 | 20VCT @ 1.0A | 10V @ 2.0A |
| ST-7-20 | DST-7-20 | 20VCT @ 1.8A | 10V @ 3.6A |
| ST-2-24** | DST-2-24** | 24VCT @ 0.045A | 12V @ 0.09A |
| ST-3-24* | DST-3-24* | 24VCT @ 0.1A (1) | 12V @ 0.2A (4) |
| ST-4-24* | DST-4-24*# | 24VCT @ 0.25A (5) | 12V @ 0.5A (9) |
| ST-5-24* | DST-5-24*# | 24VCT @ 0.5A (9) | 12V @ 1.0A (11) |
| ST-6-24 | DST-6-24 | 24VCT @ 0.8A | 12V @ 1.6A |
| ST-7-24 | DST-7-24 | 24VCT @ 1.5A | 12V @ 3.0A |

| Part Number | | Secondary RMS Rating | |
|----------------------|------------------------|----------------------|--------------|
| Single 115V 6 Pin | Dual 115/230V 8 Pin | Series | Parallel |
| ST-2-28 | DST-2-28 | 28VCT @ 0.04A | 14V @ 0.08A |
| ST-3-28 | DST-3-28 | 28VCT @ 0.085A | 14V @ 0.17A |
| ST-4-28 | DST-4-28 | 28VCT @ 0.2A | 14V @ 0.4A |
| ST-5-28 | DST-5-28 | 28VCT @ 0.42A | 14V @ 0.84A |
| ST-6-28 | DST-6-28 | 28VCT @ 0.7A | 14V @ 1.4A |
| ST-7-28 | DST-7-28 | 28VCT @ 1.3A | 14V @ 2.6A |
| ST-2-36 | DST-2-36 | 36VCT @ 0.03A | 18V @ 0.06A |
| ST-3-36 | DST-3-36 | 36VCT @ 0.065A | 18V @ 0.13A |
| ST-4-36 | DST-4-36 | 36VCT @ 0.17A | 18V @ 0.34A |
| ST-5-36 | DST-5-36 | 36VCT @ 0.35A | 18V @ 0.7A |
| ST-6-36 | DST-6-36 | 36VCT @ 0.55A | 18V @ 1.1A |
| ST-7-36 | DST-7-36 | 36VCT @ 1.0A | 18V @ 2.0A |
| ST-2-48 | DST-2-48 | 48VCT @ 0.023A | 24V @ 0.046A |
| ST-3-48 | DST-3-48 | 48VCT @ 0.05A | 24V @ 0.1A |
| ST-4-48 | DST-4-48 | 48VCT @ 0.125A | 24V @ 0.25A |
| ST-5-48 | DST-5-48 | 48VCT @ 0.25A | 24V @ 0.5A |
| ST-6-48 | DST-6-48 | 48VCT @ 0.4A | 24V @ 0.8A |
| ST-7-48 | DST-7-48 | 48VCT @ 0.75A | 24V @ 1.5A |
| ST-2-56 | DST-2-56 | 56VCT @ 0.02A | 28V @ 0.04A |
| ST-3-56 | DST-3-56 | 56VCT @ 0.045A | 28V @ 0.09A |
| ST-4-56 | DST-4-56 | 56VCT @ 0.11A | 28V @ 0.22A |
| ST-5-56 | DST-5-56 | 56VCT @ 0.22A | 28V @ 0.44A |
| ST-6-56 | DST-6-56 | 56VCT @ 0.35A | 28V @ 0.7A |
| ST-7-56 | DST-7-56 | 56VCT @ 0.65A | 28V @ 1.3A |
| ST-2-120 | DST-2-120 | 120VCT @ 0.01A | 60V @ 0.02A |
| ST-3-120 | DST-3-120 | 120VCT @ 0.02A | 60V @ 0.04A |
| ST-4-120 | DST-4-120 | 120VCT @ 0.05A | 60V @ 0.1A |
| ST-5-120 | DST-5-120 | 120VCT @ 0.1A | 60V @ 0.2A |
| ST-6-120 | DST-6-120 | 120VCT @ 0.16A | 60V @ 0.32A |
| ST-7-120 | DST-7-120 | 120VCT @ 0.3A | 60V @ 0.6A |

Custom versions available upon request.

©2015 Signal Transformer Inc. Specifications subject to change without notice. 07.15



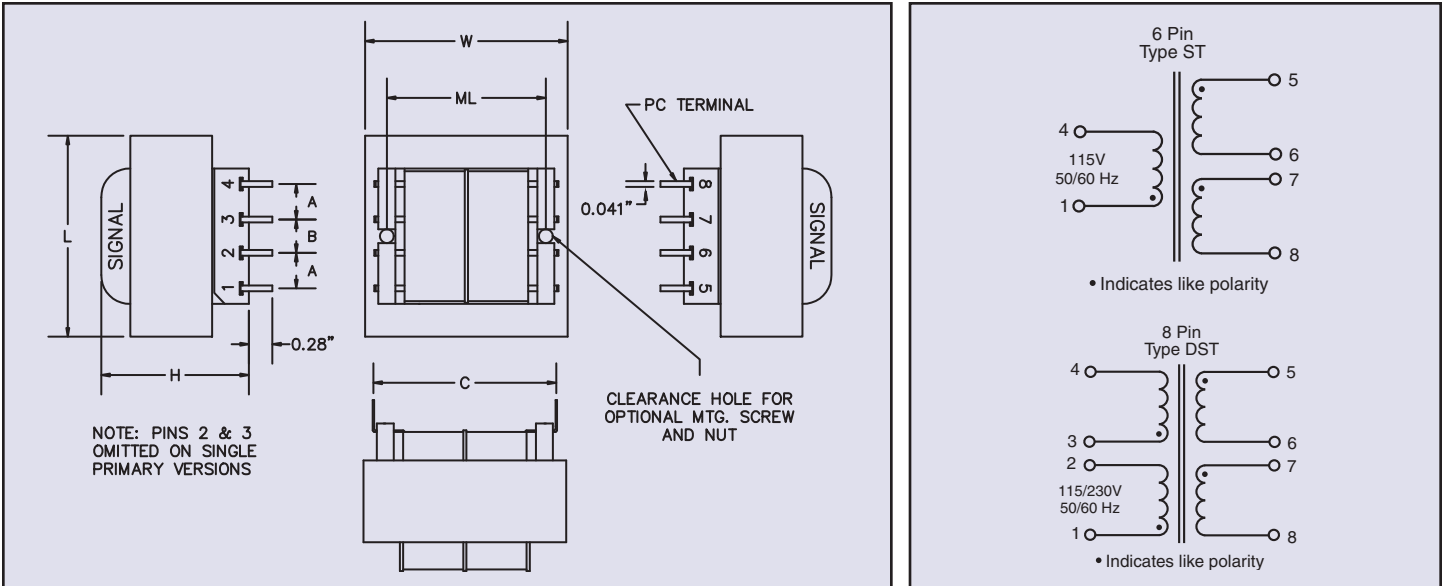
www.signaltransformer.com

500 Bayview Avenue, Inwood, NY 11096
Toll Free 866-239-5777 • Tel 516-239-5777 • Fax 516-239-7208
sales@signaltransformer.com • techhelp@signaltransformer.com

Split/Tran™, Specialty Purpose & Class 2 Transformers • Printed Circuit Mount



Split Bobbin with High Isolation



| Size | VA | L | W | H | ML | A | B | C | Optional Mounting Screw & Nut† | Weight |
|------|-----|----------------|----------------|----------------|----------------|----------------|----------------|----------------|---------------------------------------|----------------|
| | | | | | | | | | | |
| 2 | 1.1 | 1.37 (34.9) | 1.12 (28.6) | 0.97 (24.6) | - | 0.25 (6.4) | 0.25 (6.4) | 1.20 (30.5) | - | 0.17 (0.08) |
| 3 | 2.4 | 1.37 (34.9) | 1.12 (28.6) | 1.21 (30.8) | - | 0.25 (6.4) | 0.25 (6.4) | 1.20 (30.5) | - | 0.25 (0.11) |
| 4 | 6 | 1.62 (41.3) | 1.31 (33.3) | 1.31 (33.3) | 1.06 (26.9) | 0.25 (6.4) | 0.35 (8.9) | 1.25 (31.8) | Nylon 4-40 x 1.37 (4-40 x 34.9) | 0.44 (0.20) |
| 5 | 12 | 1.91 (48.4) | 1.59 (40.4) | 1.45 (36.9) | 1.25 (31.8) | 0.30 (7.6) | 0.40 (10.2) | 1.41 (35.8) | Nylon 4-40 x 1.37 (4-40 x 34.9) | 0.70 (0.32) |
| 6 | 20 | 2.25 (57.2) | 1.88 (47.8) | 1.45 (36.9) | 1.50 (38.1) | 0.30 (7.6) | 0.40 (10.2) | 1.60 (40.6) | Nylon 4-40 x 1.37 (4-40 x 34.9) | 0.80 (0.36) |
| 7 | 36 | 2.62 (66.7) | 2.18 (55.5) | 1.59 (40.4) | † † | 0.40 (10.2) | 0.40 (10.2) | 1.85 (47.0) | † † | 1.1 (0.50) |

† Available from Signal, part numbers ST-MS (screw) and ST-MN (nut).

†† Size 7 has 4 mounting holes on 2.18 x 1.75 centers for #6 screws.

** Inherently Limited

* Non Inherently Limited

Recommended secondary fuse value specified as below:

| (1) | (2) | (3) | (4) | (5) | (6) | (7) | (8) | (9) | (10) | (11) | (12) | (13) |
|--------|-------|-------|------|--------|------|------|------|-------|------|------|------|------|
| 0.125A | 0.15A | 0.25A | 0.3A | 0.375A | 0.4A | 0.5A | 0.6A | 0.75A | 1.0A | 1.5A | 2.0A | 3.0A |

See Accessories page for mounting screw information.

Custom versions available upon request.

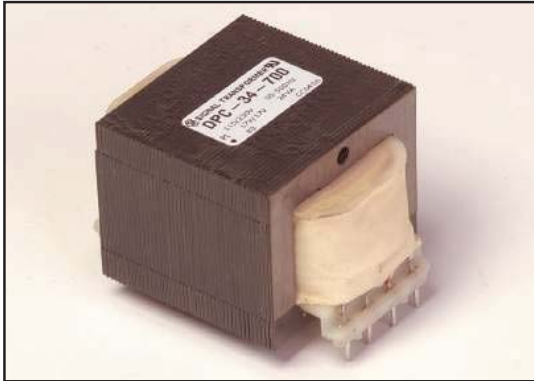
©2015 Signal Transformer Inc. Specifications subject to change without notice. 07.15



500 Bayview Avenue, Inwood, NY 11096
 Toll Free 866-239-5777 • Tel 516-239-5777 • Fax 516-239-7208
 sales@signaltransformer.com • techhelp@signaltransformer.com

Printed Circuit Mount Power Transformers

Miniature Low Power Transformers



Signal's PC low power transformers are designed to operate between 50 Hz and 500 Hz without any degradation in output voltage.

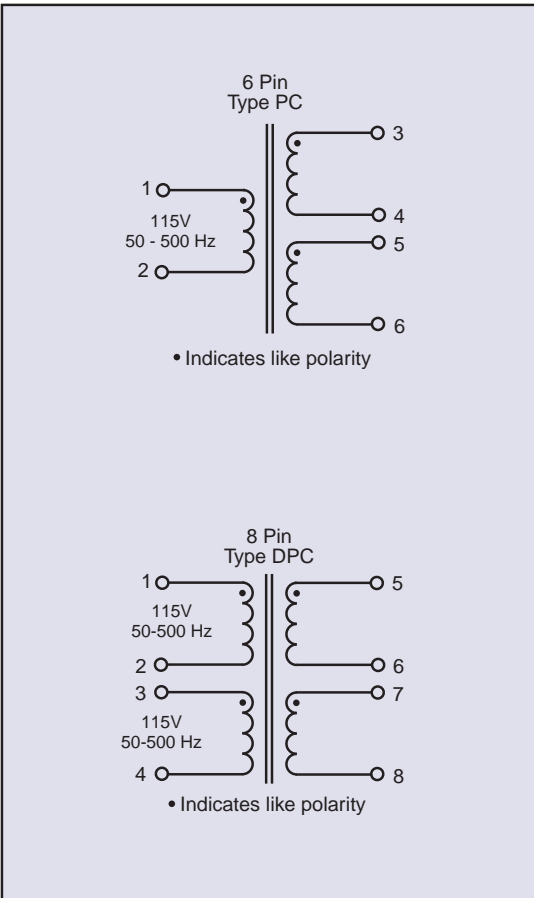
General Specifications

- Power - 1.0 VA to 24 VA
- Dielectric Strength - 1500 Vrms Hipot
- Primaries - Single or dual primaries, 115 V or 115/230 V, 50-500 Hz
- Dual Secondaries - Series or parallel
- Insulation System - Class B, 130° C, UL 1446 E66312
- Mounting Brackets - see chart

Agency Certifications

- UL recognized to UL 506 / UL 5085-2, File # E63829
- CSA certified to C22.2 #66.1, File # 221070

| Primary 50/500 Hz | | VA | Secondary RMS Rating | |
|----------------------|------------------------|------|----------------------|--------------|
| Single 115V 6 Pin | Dual 115/230V 8 Pin | Size | Series | Parallel |
| PC-10-90 | DPC-10-90 | 1.0 | 10VCT @ 90mA | 5V @ 180mA |
| PC-10-120 | DPC-10-120 | 1.2 | 10VCT @ 120mA | 5V @ 240mA |
| PC-10-440 | DPC-10-440 | 4.4 | 10VCT @ 440mA | 5V @ 880mA |
| PC-10-1000 | DPC-10-1000 | 10.0 | 10VCT @ 1.0A | 5V @ 2.0A |
| PC-10-2400 | DPC-10-2400 | 24.0 | 10VCT @ 2.4A | 5V @ 4.8A |
| PC-12-70 | DPC-12-70 | 1.0 | 12.6VCT @ 70mA | 6.3V @ 140mA |
| PC-12-100 | DPC-12-100 | 1.2 | 12.6VCT @ 100mA | 6.3V @ 200mA |
| PC-12-350 | DPC-12-350 | 4.4 | 12.6VCT @ 350mA | 6.3V @ 700mA |
| PC-12-800 | DPC-12-800 | 10.0 | 12.6VCT @ 800mA | 6.3V @ 1.6A |
| PC-12-2000 | DPC-12-2000 | 24.0 | 12.6VCT @ 2.0A | 6.3V @ 4.0A |
| PC-16-55 | DPC-16-55 | 1.0 | 16VCT @ 55mA | 8V @ 110mA |
| PC-16-75 | DPC-16-75 | 1.2 | 16VCT @ 75mA | 8V @ 150mA |
| PC-16-260 | DPC-16-260 | 4.4 | 16VCT @ 260mA | 8V @ 520mA |
| PC-16-640 | DPC-16-640 | 10.0 | 16VCT @ 640mA | 8V @ 1.28A |
| PC-16-1500 | DPC-16-1500 | 24.0 | 16VCT @ 1.50A | 8V @ 3.0A |
| PC-20-45 | DPC-20-45 | 1.0 | 20VCT @ 45mA | 10V @ 90mA |
| PC-20-60 | DPC-20-60 | 1.2 | 20VCT @ 60mA | 10V @ 120mA |
| PC-20-220 | DPC-20-220 | 4.4 | 20VCT @ 220mA | 10V @ 440mA |
| PC-20-500 | DPC-20-500 | 10.0 | 20VCT @ 500mA | 10V @ 1.0A |
| PC-20-1200 | DPC-20-1200 | 24.0 | 20VCT @ 1.20A | 10V @ 2.40A |
| PC-24-35 | DPC-24-35 | 1.0 | 24VCT @ 35mA | 12V @ 70mA |
| PC-24-50 | DPC-24-50 | 1.2 | 24VCT @ 50mA | 12V @ 100mA |
| PC-24-180 | DPC-24-180 | 4.4 | 24VCT @ 180mA | 12V @ 360mA |
| PC-24-450 | DPC-24-450 | 10.0 | 24VCT @ 450mA | 12V @ 900mA |
| PC-24-1000 | DPC-24-1000 | 24.0 | 24VCT @ 1.0A | 12V @ 2.0A |
| PC-28-30 | DPC-28-30 | 1.0 | 28VCT @ 30mA | 14V @ 60mA |
| PC-28-40 | DPC-28-40 | 1.2 | 28VCT @ 40mA | 14V @ 80mA |
| PC-28-160 | DPC-28-160 | 4.4 | 28VCT @ 160mA | 14V @ 320mA |
| PC-28-360 | DPC-28-360 | 10.0 | 28VCT @ 360mA | 14V @ 720mA |
| PC-28-800 | DPC-28-800 | 24.0 | 28VCT @ 800mA | 14V @ 1.60A |
| PC-34-25 | DPC-34-25 | 1.0 | 34VCT @ 25mA | 17V @ 50mA |
| PC-34-35 | DPC-34-35 | 1.2 | 34VCT @ 35mA | 17V @ 70mA |
| PC-34-125 | DPC-34-125 | 4.4 | 34VCT @ 125mA | 17V @ 250mA |
| PC-34-300 | DPC-34-300 | 10.0 | 34VCT @ 300mA | 17V @ 600mA |
| PC-34-700 | DPC-34-700 | 24.0 | 34VCT @ 700mA | 17V @ 1.40A |
| PC-40-20 | DPC-40-20 | 1.0 | 40VCT @ 20mA | 20V @ 40mA |
| PC-40-30 | DPC-40-30 | 1.2 | 40VCT @ 30mA | 20V @ 60mA |
| PC-40-110 | DPC-40-110 | 4.4 | 40VCT @ 110mA | 20V @ 220mA |
| PC-40-250 | DPC-40-250 | 10.0 | 40VCT @ 250mA | 20V @ 500mA |
| PC-40-600 | DPC-40-600 | 24.0 | 40VCT @ 600mA | 20V @ 1.20A |
| PC-56-15 | DPC-56-15 | 1.0 | 56VCT @ 15mA | 28V @ 30mA |
| PC-56-20 | DPC-56-20 | 1.2 | 56VCT @ 20mA | 28V @ 40mA |
| PC-56-80 | DPC-56-80 | 4.4 | 56VCT @ 80mA | 28V @ 160mA |
| PC-56-180 | DPC-56-180 | 10.0 | 56VCT @ 180mA | 28V @ 360mA |
| PC-56-420 | DPC-56-420 | 24.0 | 56VCT @ 420mA | 28V @ 840mA |
| PC-120-8 | DPC-120-8 | 1.0 | 120VCT @ 8mA | 60V @ 16mA |
| PC-120-10 | DPC-120-10 | 1.2 | 120VCT @ 10mA | 60V @ 20mA |
| PC-120-35 | DPC-120-35 | 4.4 | 120VCT @ 35mA | 60V @ 70mA |
| PC-120-85 | DPC-120-85 | 10.0 | 120VCT @ 85mA | 60V @ 170mA |
| PC-120-200 | DPC-120-200 | 24.0 | 120VCT @ 200mA | 60V @ 400mA |



Custom versions available upon request.

©2015 Signal Transformer Inc. Specifications subject to change without notice. 07.15

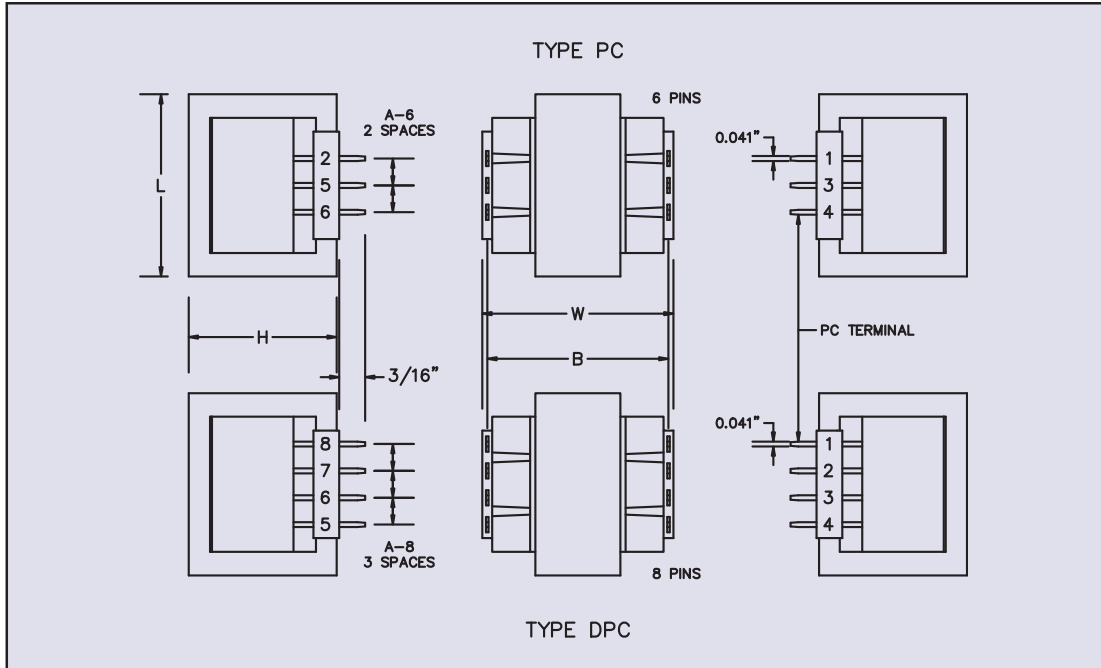


www.signaltransformer.com

500 Bayview Avenue, Inwood, NY 11096
 Toll Free 866-239-5777 • Tel 516-239-5777 • Fax 516-239-7208
 sales@signaltransformer.com • techhelp@signaltransformer.com

Printed Circuit Mount Power Transformers

Miniature Low Power Transformers



| VA | L | W | H | A-6 | A-8 | B | Weight | Optional Bracket* | | |
|------|----------------|-----------------|-----------------|-----------------|----------------|----------------|---------------|-------------------|----------------|----------------|
| | | | | 6 Pin | 8 Pin | | | Number | MW | MD |
| Size | Inches (mm) | | | | | | oz (kg) | Inches (mm) | | |
| 1.0 | 1.00 (25.4) | 1.37 (34.92) | 0.83 (21.08) | 0.25 (6.35) | 0.20 (5.08) | 1.23 (31.2) | 2.5 (0.07) | - | - | - |
| 1.2 | 1.37 (34.9) | 1.12 (28.6) | 1.18 (30.15) | 0.31 (7.92) | 0.20 (5.08) | 1.03 (26.2) | 3 (0.08) | - | - | - |
| 4.4 | 1.62 (41.3) | 1.25 (31.8) | 1.37 (34.92) | 0.40 (10.16) | 0.25 (6.35) | 1.13 (28.7) | 5 (0.14) | - | - | - |
| 10.0 | 1.87 (47.6) | 1.43 (36.5) | 1.62 (41.27) | 0.40 (10.16) | 0.25 (6.35) | 1.33 (33.7) | 9 (0.23) | 10-BR | 1.64 (41.7) | 1.12 (28.6) |
| 24.0 | 1.62 (41.3) | 2.25 (57.2) | 1.37 (34.93) | 0.40 (10.16) | 0.25 (6.35) | 2.13 (54.1) | 12 (0.34) | 24-BR | 1.37 (34.9) | 2.00 (50.8) |

*An optional slide on mounting bracket is available for sizes 10 & 24. These brackets do not consume any additional board space but add 1/32" to the transformer's height.

See Accessories page for mounting brackets.

Custom versions available upon request.

©2015 Signal Transformer Inc. Specifications subject to change without notice. 07.15



www.signaltransformer.com

500 Bayview Avenue, Inwood, NY 11096
 Toll Free 866-239-5777 • Tel 516-239-5777 • Fax 516-239-7208
 sales@signaltransformer.com • techhelp@signaltransformer.com

Printed Circuit Mount Triple Output Transformers

For 5 VDC and ± 12 VDC or ± 15 VDC Regulated Power Supplies



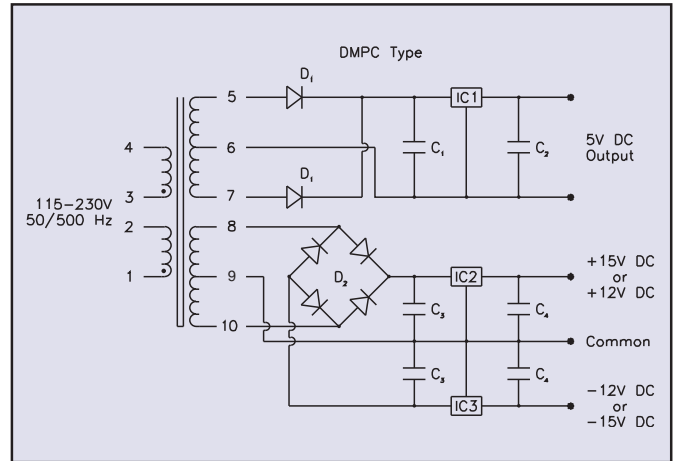
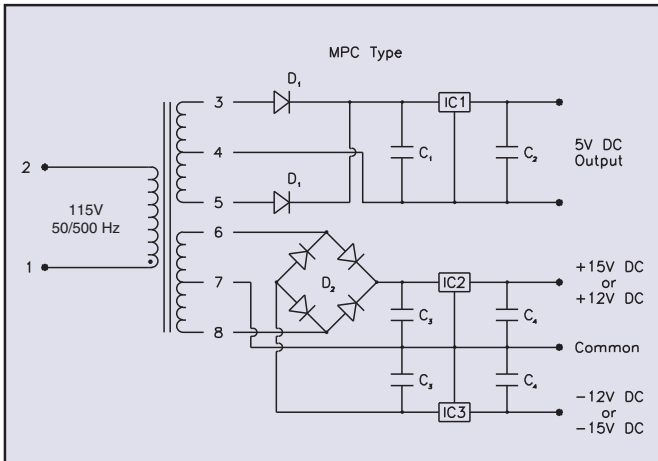
Signal's MPC and DMPC transformers have all of the performance features of our PC and DPC series.

General Specifications

- Power - 10 VA and 24 VA
- Dielectric Strength - 1500 Vrms Hipot
- Primaries - Single or dual primaries, 115 V or 115/230 V, 50-500 Hz
- Secondaries - Dual complementary outputs, 5 VDC with ± 12 VDC or 5 VDC with ± 15 VDC
- Insulation System - Class B, 130° C, UL 1446 E66312
- Mounting Brackets - Available for 10 & 24 VA sizes, part numbers 10-BR and 24-BR, respectively

Agency Certifications

- UL recognized to UL 506 / UL 5085-2, File # E63829
- CSA certified to C22.2 #66.1, File # 221070



| Part Number | | DC Output | | Size | Suggested Components | | | | | | | |
|-------------------|--------------------|----------------|-----------------------|------|----------------------|----------------|----------------|----------------|--------------------|--------------------|-------------------|-------------------|
| Primary 50/500 Hz | | Regulator I | Regulator II | | C ₁ | C ₂ | C ₃ | C ₄ | D ₁ (2) | D ₂ (4) | IC ₁ * | IC ₂ * |
| 115V 8 Pin | 115/230V 10 Pin | | | | | | | | | | | |
| MPC-X-12 | DMPC-X-12 | 5 VDC 360mA | ± 12 VDC 60mA | X | 2100MFD 30V | 2.7MFD 20V | 250MFD 50V | 10MFD 20V | 1N4001 | 1N4002 | LM341P-5.0 | LM326N |
| MPC-X-15 | DMPC-X-15 | 5 VDC 360mA | ± 15 VDC 50mA | X | 2100MFD 30V | 2.7MFD 20V | 250MFD 50V | 10MFD 20V | 1N4001 | 1N4002 | LM341P-5.0 | LM325N |
| MPC-Y-12 | DMPC-Y-12 | 5 VDC 835mA | ± 12 VDC 150mA | Y | 4000MFD 20V | 2.7MFD 20V | 1000MFD 50V | 2.7MFD 20V | 1N4001 | 1N4002 | LM340K-5.0 | LM326N |
| MPC-Y-15 | DMPC-Y-15 | 5 VDC 835mA | ± 15 VDC 130mA | Y | 4000MFD 20V | 2.7MFD 20V | 1000MFD 50V | 2.7MFD 20V | 1N4001 | 1N4002 | LM340K-5.0 | LM325N |

* National Semiconductor

Custom versions available upon request.

©2015 Signal Transformer Inc. Specifications subject to change without notice. 07.15

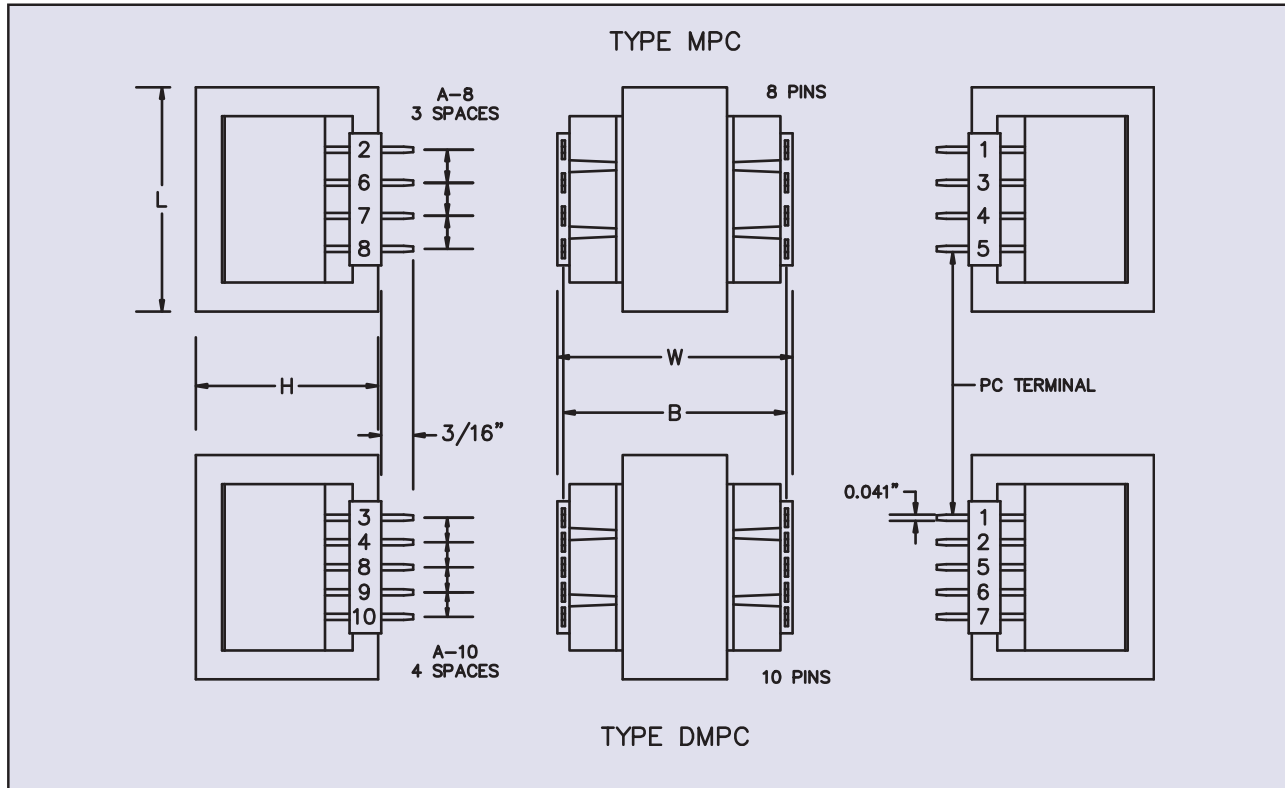


www.signaltransformer.com

500 Bayview Avenue, Inwood, NY 11096
Toll Free 866-239-5777 • Tel 516-239-5777 • Fax 516-239-7208
sales@signaltransformer.com • techhelp@signaltransformer.com

Printed Circuit Mount Triple Output Transformers

For 5 VDC and ± 12 VDC or ± 15 VDC Regulated Power Supplies



| Size | L | W | H | A-8 8 Pin | A-10 10 Pin | B | Weight | Optional Bracket | | |
|------|----------------|----------------|----------------|--------------|----------------|----------------|----------------|------------------|----------------|----------------|
| | | | | | | | | Number | MW | MD |
| | | | | | | | | | Inches (mm) | |
| X | 1.87 (47.6) | 1.43 (36.5) | 1.64 (41.7) | .25 (6.4) | .20 (5.1) | 1.30 (33.0) | 0.56 (0.25) | 10-BR | 1.64 (41.6) | 1.12 (28.6) |
| Y | 1.62 (41.3) | 2.25 (57.2) | 1.37 (34.9) | .25 (6.4) | .20 (5.1) | 2.10 (53.3) | 0.75 (0.34) | 24-BR | 1.37 (34.9) | 2.00 (50.8) |

* An optional slide on mounting bracket is available for sizes 10 & 24. These brackets do not consume any additional board space but add 1/32" to the transformer's height.

See Accessories page for mounting brackets.

Custom versions available upon request.

©2015 Signal Transformer Inc. Specifications subject to change without notice. 07.15



500 Bayview Avenue, Inwood, NY 11096
 Toll Free 866-239-5777 • Tel 516-239-5777 • Fax 516-239-7208
 sales@signaltransformer.com • techhelp@signaltransformer.com

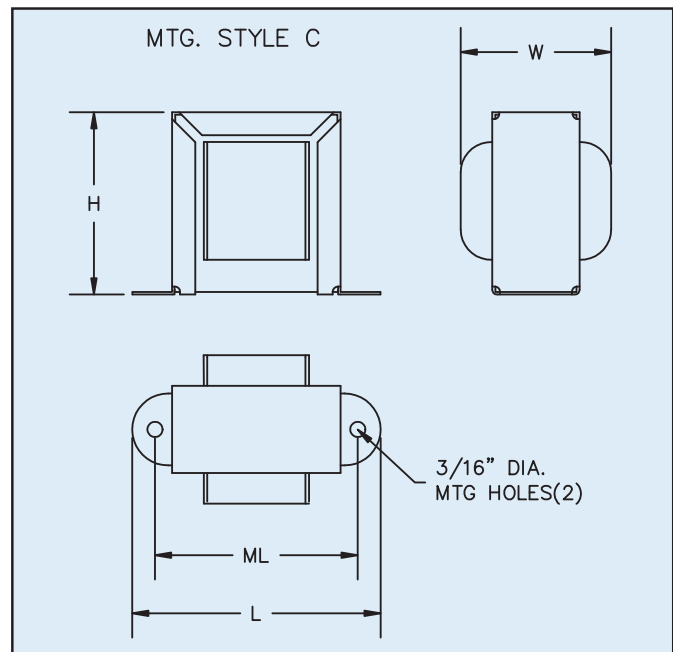
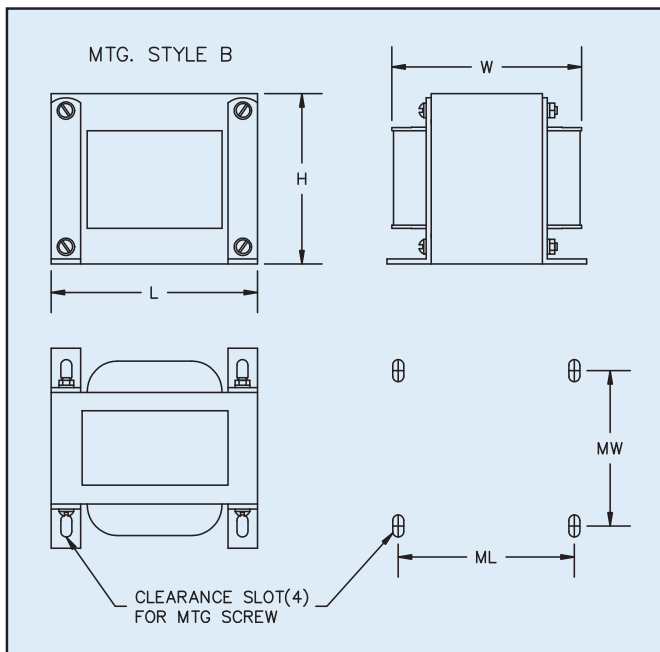
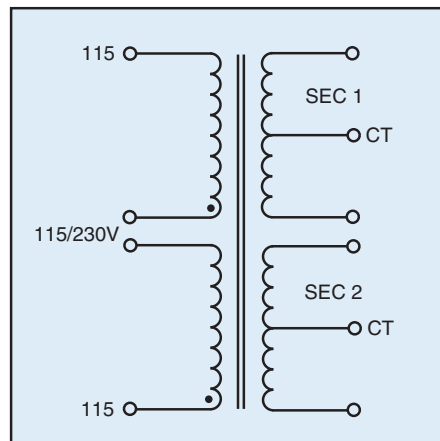
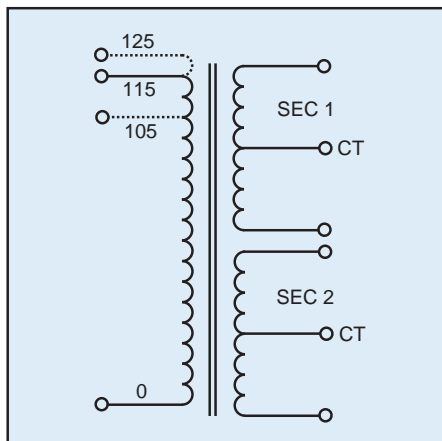
Conventional Rectifier Power Transformers Chassis Mount



Signal's rectifier power transformers provide a wide variety of outputs. This series of conservatively designed transformers is manufactured using traditional materials and layer wound techniques.

General Specifications

- Power - 10 VA to 2800 VA
- Dielectric Strength - 1500 Vrms Hipot
- Primaries - Single, tapped or dual primaries, 105V, 115V, 125V, 230V - 50/60 Hz
- Secondaries - Dual center tapped windings may be connected in series or parallel
- Insulation System - Class B insulation, 130° C



Custom versions available upon request.

©2015 Signal Transformer Inc. Specifications subject to change without notice. 07.15



www.signaltransformer.com

500 Bayview Avenue, Inwood, NY 11096
Toll Free 866-239-5777 • Tel 516-239-5777 • Fax 516-239-7208
sales@signaltransformer.com • techhelp@signaltransformer.com

Conventional Rectifier Power Transformers Chassis Mount



| Primary 50/60 Hz | | Second RMS Rating | | Mtg Style | Dimensions | | | | | Mtg Screw | Weight |
|------------------|---------------|-------------------|---------------|-----------|-----------------|-----------------|-----------------|-----------------|-----------------|-----------|-----------------|
| Single 115V | Dual 115/230V | Series | Parallel | | L | W | H | ML | MW | | |
| Inches (mm) | | | | | | | | | | | lbs (kg) |
| 10-1 | DL-10-1 | 10VCT @ 1A | 5VCT @ 2A | C | 2.87 (73.0) | 1.75 (44.5) | 2.31 (58.7) | 2.37 (60.3) | - | #8 | 1.0 (.45) |
| 10-2 | DL-10-2 | 10VCT @ 2A | 5VCT @ 4A | C | 3.12 (79.4) | 2.12 (53.9) | 2.75 (69.9) | 2.81 (71.4) | - | #8 | 1.5 (.68) |
| 10-4 | DL-10-4 | 10VCT @ 4A | 5VCT @ 8A | C | 3.56 (90.5) | 2.37 (60.3) | 3.06 (77.7) | 3.12 (79.4) | - | #8 | 2.3 (1.04) |
| 10-6 | DL-10-6 | 10VCT @ 6A | 5VCT @ 12A | B | 3.37 (85.7) | 2.75 (69.9) | 2.81 (71.4) | 2.81 (71.4) | 2.12 (53.9) | #8 | 3.3 (1.50) |
| 10-8 | DL-10-8 | 10VCT @ 8A | 5VCT @ 16A | B | 3.37 (85.7) | 3.12 (79.4) | 2.81 (71.4) | 2.81 (71.4) | 2.50 (63.5) | #8 | 4.01 (1.81) |
| 10-12 | DL-10-12 | 10VCT @ 12A | 5VCT @ 24A | B | 3.75 (95.3) | 3.25 (82.6) | 3.12 (79.4) | 3.12 (79.4) | 2.50 (63.5) | #8 | 5.0 (2.27) |
| 10-25 | DL-10-25 | 10VCT @ 25A | 5VCT @ 50A | B | 4.50 (114.3) | 3.75 (95.3) | 3.75 (95.3) | 3.75 (95.3) | 2.75 (69.9) | #10 | 8.7 (3.95) |
| 10-50‡ | DL-10-50 | 10VCT @ 50A | 5VCT @ 100A | B | 5.35 (133.4) | 5.50 (139.7) | 4.37 (111.1) | 4.37 (111.1) | 3.62 (92.1) | 1/4 | 17.0 (7.71) |
| 10-100‡ | DL-10-100 | 10VCT @ 100A | 5VCT @ 200A | B | 6.37 (162.0) | 7.25 (184.2) | 5.31 (134.9) | 5.31 (134.9) | 4.37 (111.1) | 1/4 | 34.5 (15.65) |
| 12.8-1 | DL-12.8-1 | 12.8VCT @ 1A | 6.4VCT @ 2A | C | 2.87 (73.0) | 2.00 (50.8) | 2.31 (58.7) | 2.31 (58.7) | - | #8 | 1.2 (.54) |
| 12.8-2 | DL-12.8-2 | 12.8VCT @ 2A | 6.4VCT @ 4A | B | 3.00 (76.2) | 2.50 (63.5) | 2.50 (63.5) | 2.50 (63.5) | 2.00 (50.8) | #8 | 2.3 (1.04) |
| 12.8-4 | DL-12.8-4 | 12.8VCT @ 4A | 6.4VCT @ 8A | B | 3.00 (76.2) | 2.50 (63.5) | 2.50 (63.5) | 2.50 (63.5) | 2.37 (60.3) | #8 | 2.8 (1.27) |
| 12.8-6 | DL-12.8-6 | 12.8VCT @ 6A | 6.4VCT @ 12A | B | 3.37 (85.7) | 3.06 (77.7) | 2.81 (71.4) | 2.81 (71.4) | 2.50 (63.5) | #8 | 4.0 (1.81) |
| 12.8-8 | DL-12.8-8 | 12.8VCT @ 8A | 6.4VCT @ 16A | B | 3.75 (95.3) | 3.12 (79.4) | 3.12 (79.4) | 3.12 (79.4) | 2.25 (57.2) | #8 | 4.5 (2.04) |
| 12.8-12‡ | DL-12.8-12 | 12.8VCT @ 12A | 6.4VCT @ 24A | B | 4.12 (104.8) | 3.25 (82.6) | 3.43 (87.3) | 3.43 (87.3) | 2.37 (60.3) | #10 | 6.0 (2.72) |
| 12.8-25‡ | DL-12.8-25 | 12.8VCT @ 25A | 6.4VCT @ 50A | B | 5.25 (133.4) | 4.25 (108.0) | 4.37 (111.1) | 4.37 (111.1) | 2.87 (73.0) | #10 | 12.5 (5.69) |
| 12.8-50‡ | DL-12.8-50 | 12.8VCT @ 50A | 6.4VCT @ 100A | B | 5.25 (133.4) | 6.00 (152.4) | 4.37 (111.1) | 4.37 (111.1) | 4.12 (104.8) | 1/4 | 20.7 (9.39) |
| 12.8-100‡ | DL-12.8-100 | 12.8VCT @ 100A | 6.4VCT @ 200A | B | 6.37 (162.0) | 7.25 (184.2) | 5.31 (134.9) | 5.31 (134.9) | 4.37 (111.1) | 1/4 | 34.5 (15.65) |

‡ Nominal 115V primary has added taps, i.e., 105/115/125V; Dual (DL) version is 115/230V only.
 † Available with dual primary only. Therefore, prefix DL is not required.

Custom versions available upon request.

©2015 Signal Transformer Inc. Specifications subject to change without notice. 07.15



www.signaltransformer.com

500 Bayview Avenue, Inwood, NY 11096
 Toll Free 866-239-5777 • Tel 516-239-5777 • Fax 516-239-7208
 sales@signaltransformer.com • techhelp@signaltransformer.com

Conventional Rectifier Power Transformers Chassis Mount



| Primary 50/60 Hz | | Second RMS Rating | | Mtg Style | Dimensions | | | | | Mtg Screw | Weight |
|------------------|---------------|-------------------|--------------|-----------|-----------------|-----------------|-----------------|------------------|-----------------|-----------|-----------------|
| Single 115V | Dual 115/230V | Series | Parallel | | L | W | H | ML | MW | | |
| Inches (mm) | | | | | | | | | | | lbs (kg) |
| 16-1 | DL-16-1 | 16VCT @ 1A | 8VCT @ 2A | C | 2.87 (73.0) | 2.00 (50.8) | 2.31 (58.7) | 2.37 (60.3) | - | #8 | 1.2 (.54) |
| 16-2 | DL-16-2 | 16VCT @ 2A | 8VCT @ 4A | C | 3.12 (79.4) | 2.25 (57.2) | 2.75 (69.9) | 2.81 (71.4) | - | #8 | 1.7 (.77) |
| 16-4 | DL-16-4 | 16VCT @ 4A | 8VCT @ 8A | B | 3.37 (85.7) | 2.75 (69.9) | 2.81 (71.4) | 2.81 (71.4) | 2.12 (53.9) | #8 | 3.3 (1.50) |
| 16-6 | DL-16-6 | 16VCT @ 6A | 8VCT @ 12A | B | 3.75 (95.3) | 3.12 (79.4) | 3.12 (79.4) | 3.12 (79.4) | 2.25 (57.2) | #10 | 4.5 (2.04) |
| 16-8 | DL-16-8 | 16VCT @ 8A | 8VCT @ 16A | B | 3.75 (95.3) | 3.50 (89.0) | 3.12 (79.4) | 3.12 (79.4) | 2.62 (66.7) | #10 | 5.4 (2.45) |
| 16-12 | DL-16-12 | 16VCT @ 12A | 8VCT @ 24A | B | 4.12 (104.8) | 3.87 (98.4) | 3.43 (87.3) | 3.43 (87.3) | 3.00 (76.2) | #10 | 7.9 (3.58) |
| 16-25 | DL-16-25 | 16VCT @ 25A | 8VCT @ 50A | B | 4.50 (114.3) | 5.37 (136.5) | 3.75 (95.3) | 3.75 (95.3) | 4.00 (101.6) | #10 | 14.5 (6.58) |
| 16-50‡ | DL-16-50 | 16VCT @ 50A | 8VCT @ 100A | B | 6.37 (162.0) | 5.70 (146.1) | 5.31 (134.9) | 5.31 (134.9) | 3.75 (95.3) | 1/4 | 26.5 (12.02) |
| 16-100‡ | DL-16-100 | 16VCT @ 100A | 8VCT @ 200A | B | 7.50 (190.5) | 7.50 (190.5) | 6.37 (162.0) | 6.75 (171.5) | 4.62 (117.5) | 1/4 | 50.0 (22.68) |
| 24-1 | DL-24-1 | 24VCT @ 1A | 12VCT @ 2A | B | 3.00 (76.2) | 2.50 (63.5) | 2.50 (63.5) | 2.50 (63.5) | 2.00 (50.8) | #8 | 2.3 (1.04) |
| 24-2 | DL-24-2 | 24VCT @ 2A | 12VCT @ 4A | B | 3.00 (76.2) | 2.87 (73.0) | 2.50 (63.5) | 2.50 (63.5) | 2.37 (60.3) | #8 | 2.9 (1.32) |
| 24-4 | DL-24-4 | 24VCT @ 4A | 12VCT @ 8A | B | 3.75 (95.3) | 3.12 (79.4) | 3.12 (79.4) | 3.12 (79.4) | 2.25 (57.2) | #8 | 4.5 (2.04) |
| 24-6 | DL-24-6 | 24VCT @ 6A | 12VCT @ 12A | B | 4.12 (104.8) | 3.25 (82.6) | 3.43 (87.3) | 3.43 (87.3) | 2.37 (60.3) | #10 | 5.8 (2.63) |
| 24-8 | DL-24-8 | 24VCT @ 8A | 12VCT @ 16A | B | 4.12 (104.8) | 3.87 (98.4) | 3.43 (87.3) | 3.43 (87.3) | 3.00 (76.2) | #10 | 7.9 (3.58) |
| 24-12‡ | DL-24-12 | 24VCT @ 12A | 12VCT @ 24A | B | 4.50 (114.3) | 4.50 (114.3) | 3.75 (95.3) | 3.75 (95.3) | 3.37 (85.7) | #10 | 11.0 (4.99) |
| 24-20‡ | DL-24-20 | 24VCT @ 20A | 12VCT @ 40A | B | 5.25 (133.4) | 4.75 (120.7) | 4.37 (111.1) | 4.37 (111.1) | 3.37 (85.7) | 1/4 | 15.3 (6.95) |
| 24-25‡ | DL-24-25 | 24VCT @ 25A | 12VCT @ 50A | B | 5.25 (133.4) | 5.62 (142.9) | 4.37 (111.1) | 4.37 (111.1) | 4.12 (104.8) | 1/4 | 19.5 (8.85) |
| 24-50‡ | DL-24-50 | 24VCT @ 50A | 12VCT @ 100A | B | 6.37 (162.0) | 6.25 (158.8) | 5.31 (134.9) | 5.31 (134.9) | 4.37 (111.1) | 1/4 | 31.3 (14.20) |
| — | 24-100‡ | 24VCT @ 100A | 12VCT @ 200A | B | 7.50 (190.5) | 7.00 (177.8) | 6.37 (162.0) | 6.75 (171.45) | 4.12 (104.8) | 1/4 | 43.0 (19.5) |

‡ Nominal 115V primary has added taps, i.e., 105/115/125V; Dual (DL) version is 115/230V only.

† Available with dual primary only. Therefore, prefix DL is not required.

Custom versions available upon request.

©2015 Signal Transformer Inc. Specifications subject to change without notice. 07.15



www.signaltransformer.com

500 Bayview Avenue, Inwood, NY 11096
Toll Free 866-239-5777 • Tel 516-239-5777 • Fax 516-239-7208
sales@signaltransformer.com • techhelp@signaltransformer.com

Conventional Rectifier Power Transformers Chassis Mount



| Primary 50/60 Hz | | Second RMS Rating | | Mtg Style | Dimensions | | | | | Mtg Screw | Weight |
|------------------|---------------|-------------------|--------------|-----------|--------------|--------------|--------------|--------------|--------------|-----------|--------------|
| Single 115V | Dual 115/230V | Series | Parallel | | L | W | H | ML | MW | | |
| Inches (mm) | | | | | | | | | | | lbs (kg) |
| 36-1 | DL-36-1 | 36VCT @ 1A | 18VCT @ 2A | B | 3.00 (76.2) | 2.75 (69.9) | 2.50 (63.5) | 2.50 (63.5) | 2.25 (57.2) | #8 | 2.6 (1.18) |
| 36-2 | DL-36-2 | 36VCT @ 2A | 18VCT @ 4A | B | 3.37 (85.7) | 2.93 (74.6) | 2.81 (71.4) | 2.81 (71.4) | 2.37 (60.3) | #8 | 3.8 (1.72) |
| 36-4 | DL-36-4 | 36VCT @ 4A | 18VCT @ 8A | B | 4.12 (104.8) | 3.37 (85.7) | 3.43 (87.3) | 3.43 (87.3) | 2.62 (66.7) | #10 | 6.8 (3.08) |
| 36-6 | DL-36-6 | 36VCT @ 6A | 18VCT @ 12A | B | 4.50 (114.3) | 3.75 (95.3) | 3.75 (95.3) | 3.75 (95.3) | 2.75 (69.9) | #10 | 8.7 (3.95) |
| 36-8† | DL-36-8 | 36VCT @ 8A | 18VCT @ 16A | B | 4.50 (114.3) | 4.50 (114.3) | 3.75 (95.3) | 3.75 (95.3) | 3.37 (85.7) | #10 | 11.0 (4.99) |
| 36-12† | DL-36-12 | 36VCT @ 12A | 18VCT @ 24A | B | 5.25 (133.4) | 5.00 (127.0) | 4.37 (111.1) | 4.37 (111.1) | 3.37 (85.7) | 1/4 | 15.0 (6.80) |
| 36-20† | DL-36-20 | 36VCT @ 20A | 18VCT @ 40A | B | 6.37 (162.0) | 5.37 (136.5) | 5.31 (134.9) | 5.31 (134.9) | 3.37 (85.7) | 1/4 | 22.8 (10.34) |
| 36-25† | DL-36-25 | 36VCT @ 25A | 18VCT @ 50A | B | 6.37 (162.0) | 5.75 (146.1) | 5.31 (134.9) | 5.31 (134.9) | 3.75 (95.3) | 1/4 | 26.5 (12.02) |
| 36-30† | DL-36-30 | 36VCT @ 30A | 18VCT @ 60A | B | 6.37 (162.0) | 6.00 (152.4) | 5.31 (134.9) | 5.31 (134.9) | 4.37 (111.1) | 1/4 | 31.5 (14.28) |
| — | 36-50† | 36VCT @ 50A | 18VCT @ 100A | B | 6.37 (162.0) | 7.25 (184.2) | 5.31 (134.9) | 5.31 (134.9) | 5.12 (130.2) | 1/4 | 40.0 (18.14) |
| 56-1 | DL-56-1 | 56VCT @ 1A | 28VCT @ 2A | B | 3.37 (85.7) | 2.87 (73.0) | 2.81 (71.4) | 2.81 (71.4) | 2.25 (57.2) | #8 | 3.5 (1.59) |
| 56-2 | DL-56-2 | 56VCT @ 2A | 28 VCT @ 4A | B | 3.75 (95.3) | 3.25 (82.6) | 3.12 (79.4) | 3.12 (79.4) | 2.50 (63.5) | #8 | 5.0 (2.27) |
| 56-4 | DL-56-4 | 56VCT @ 4A | 28VCT @ 8A | B | 4.12 (104.8) | 3.75 (95.3) | 3.43 (87.3) | 3.43 (87.3) | 3.00 (76.2) | #10 | 7.7 (3.49) |
| 56-6 | DL-56-6 | 56VCT @ 6A | 28VCT @ 12A | B | 5.25 (133.4) | 4.25 (108.0) | 4.37 (111.1) | 4.37 (111.1) | 2.87 (73.0) | #10 | 12.0 (5.44) |
| 56-8† | DL-56-8 | 56VCT @ 8A | 28VCT @ 16A | B | 5.25 (133.4) | 5.00 (127.0) | 4.37 (111.1) | 4.37 (111.1) | 3.62 (92.1) | #1/4 | 17.0 (7.71) |
| 56-12† | DL-56-12 | 56VCT @ 12A | 28VCT @ 24A | B | 6.37 (162.0) | 5.25 (133.4) | 5.31 (134.9) | 5.31 (134.9) | 3.37 (85.7) | 1/4 | 22.0 (9.98) |
| 56-25† | DL-56-25 | 56VCT @ 25A | 28VCT @ 50A | B | 6.37 (162.0) | 7.12 (181.0) | 5.31 (134.9) | 5.31 (134.9) | 5.12 (130.2) | 1/4 | 38.0 (17.24) |
| — | 56-50† | 56VCT @ 50A | 28VCT @ 100A | B | 7.50 (190.5) | 7.50 (190.5) | 6.24 (158.8) | 6.75 (171.5) | 4.87 (123.8) | 1/4 | 56.3 (25.54) |

‡ Nominal 115V primary has added taps, i.e., 105/115/125V; Dual (DL) version is 115/230V only.

† Available with dual primary only. Therefore, prefix DL is not required.

Custom versions available upon request.

©2015 Signal Transformer Inc. Specifications subject to change without notice. 07.15



www.signaltransformer.com

500 Bayview Avenue, Inwood, NY 11096
Toll Free 866-239-5777 • Tel 516-239-5777 • Fax 516-239-7208
sales@signaltransformer.com • techhelp@signaltransformer.com

Conventional Rectifier Power Transformers Chassis Mount



| Primary 50/60 Hz | | Second RMS Rating | | Mtg Style | Dimensions | | | | | Mtg Screw | Weight |
|------------------|---------------|-------------------|-------------|-----------|--------------|--------------|--------------|--------------|--------------|-----------|--------------|
| Single 115V | Dual 115/230V | Series | Parallel | | L | W | H | ML | MW | | |
| Inches (mm) | | | | | | | | | | | lbs (kg) |
| 68-1 | DL-68-1 | 68VCT @ 1A | 34VCT @ 2A | B | 3.37 (85.7) | 2.93 (74.6) | 2.81 (71.4) | 2.81 (71.4) | 2.37 (60.3) | #8 | 3.8 (1.72) |
| 68-2 | DL-68-2 | 68VCT @ 2A | 34VCT @ 4A | B | 4.12 (104.8) | 3.37 (85.7) | 3.43 (87.3) | 3.43 (87.3) | 2.62 (66.7) | #10 | 6.8 (3.08) |
| 68-4 | DL-68-4 | 68VCT @ 4A | 34VCT @ 8A | B | 4.50 (114.3) | 4.50 (114.3) | 3.75 (95.3) | 3.75 (95.3) | 3.37 (85.7) | #10 | 11.5 (5.22) |
| 68-6‡ | DL-68-6 | 68VCT @ 6A | 34VCT @ 12A | B | 5.25 (133.4) | 5.00 (127.0) | 4.37 (111.1) | 4.37 (111.1) | 3.37 (85.7) | 1/4 | 15.0 (6.80) |
| 68-8‡ | DL-68-8 | 68VCT @ 8A | 34VCT @ 16A | B | 5.25 (133.4) | 5.50 (139.7) | 4.37 (111.1) | 4.37 (111.1) | 3.87 (98.4) | 1/4 | 19.0 (8.62) |
| 68-12‡ | DL-68-12 | 68VCT @ 12A | 34VCT @ 24A | B | 6.37 (162.0) | 5.75 (146.1) | 5.31 (134.9) | 5.31 (134.9) | 3.75 (95.3) | 1/4 | 26.5 (12.02) |
| — | 68-25† | 68VCT @ 25A | 34VCT @ 50A | B | 6.37 (162.0) | 7.25 (184.2) | 5.31 (134.9) | 5.31 (134.9) | 5.12 (130.2) | 1/4 | 39.7 (18.01) |
| 80-1 | DL-80-1 | 80VCT @ 1A | 40VCT @ 2A | B | 3.37 (85.7) | 3.06 (77.7) | 2.81 (71.4) | 2.81 (71.4) | 2.50 (63.5) | #8 | 4.0 (1.81) |
| 80-2 | DL-80-2 | 80VCT @ 2A | 40VCT @ 4A | B | 4.12 (104.8) | 3.37 (85.7) | 3.43 (87.3) | 3.43 (87.3) | 2.62 (66.7) | #10 | 6.8 (3.08) |
| 80-4 | DL-80-4 | 80VCT @ 4A | 40VCT @ 8A | B | 5.25 (133.4) | 4.25 (108.0) | 4.37 (111.1) | 4.37 (111.1) | 2.87 (73.0) | 1/4 | 12.3 (5.58) |
| 80-6‡ | DL-80-6 | 80VCT @ 6A | 40VCT @ 12A | B | 5.25 (133.4) | 5.50 (139.7) | 4.37 (111.1) | 4.37 (111.1) | 3.87 (98.4) | 1/4 | 19.0 (8.62) |
| 80-8‡ | DL-80-8 | 80VCT @ 8A | 40VCT @ 16A | B | 6.37 (162.0) | 5.25 (133.4) | 5.31 (134.9) | 5.31 (134.9) | 3.25 (82.6) | 1/4 | 20.5 (9.30) |
| 80-12‡ | DL-80-12 | 80VCT @ 12A | 40VCT @ 24A | B | 6.37 (162.0) | 6.00 (152.4) | 5.31 (134.9) | 5.31 (134.9) | 4.12 (104.8) | 1/4 | 29.0 (13.15) |
| — | 80-25† | 80VCT @ 25A | 40VCT @ 50A | B | 7.50 (190.5) | 6.50 (165.1) | 6.25 (158.8) | 6.75 (171.5) | 3.87 (98.4) | 1/4 | 40.3 (18.28) |

‡ Nominal 115V primary has added taps, i.e., 105/115/125V; Dual (DL) version is 115/230V only.

† Available with dual primary only. Therefore, prefix DL is not required.

Custom versions available upon request.

©2015 Signal Transformer Inc. Specifications subject to change without notice. 07.15



www.signaltransformer.com

500 Bayview Avenue, Inwood, NY 11096
Toll Free 866-239-5777 • Tel 516-239-5777 • Fax 516-239-7208
sales@signaltransformer.com • techhelp@signaltransformer.com

Step Down Auto Transformers - Chassis Mount

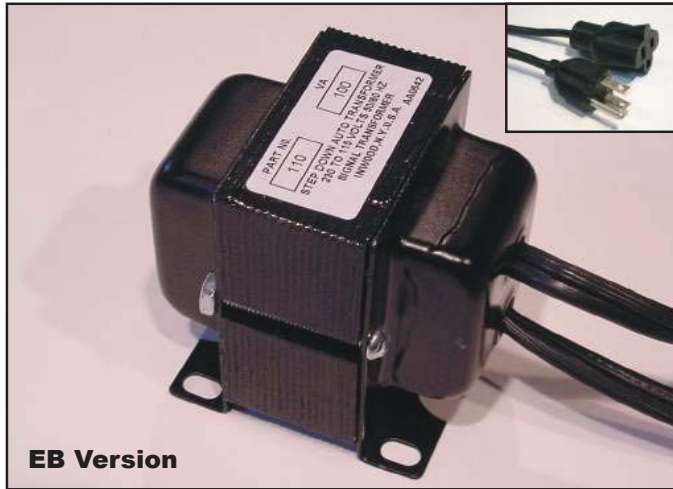
Available with Receptacle and Line Cord or Leads



Signal's auto transformers provide the user the capability of adapting voltages for worldwide applications.

General Specifications

- Power - 100 VA to 2000 VA
- Voltage - EB version: 230V to 115V, 50/60Hz
OF version: 230V to 115V or 115V to 230V, 50/60Hz
- Connections - EB version: Line cord and receptacle NEMA 5-15 style
OF version: 8" leads
- Insulation System - Class B, 130° C
- Higher insulation class available



| Part Number | VA | Dimensions | | | Mounting Centers | Weight |
|-------------|------|--------------|--------------|--------------|----------------------------|------------|
| | | Width | Depth | Height | | |
| | | Inches (mm) | | | | |
| 110 | 100 | 1.87 (47.6) | 2.37 (60.3) | 2.50 (63.5) | 1.50 x 1.68 (38.1 x 42.8) | 1.5 (0.68) |
| 112 | 120 | 2.87 (73.0) | 2.12 (54.0) | 3.50 (88.9) | 2.25 x 1.75 (57.2 x 44.5) | 3.0 (1.36) |
| 115 | 150 | 2.87 (73.0) | 3.37 (85.7) | 3.50 (88.9) | 2.25 x 2.00 (57.2 x 50.8) | 3.5 (1.59) |
| 120 | 200 | 2.87 (73.0) | 3.50 (88.9) | 3.50 (88.9) | 2.25 x 2.12 (57.2 x 54.0) | 4.0 (1.81) |
| 125 | 250 | 2.87 (73.0) | 3.87 (98.4) | 3.50 (88.9) | 2.25 x 2.50 (57.2 x 63.5) | 4.8 (2.18) |
| 130 | 300 | 3.25 (82.6) | 3.87 (98.4) | 3.87 (98.4) | 2.50 x 2.43 (63.5 x 61.9) | 5.5 (2.49) |
| 150 | 500 | 3.25 (82.6) | 4.87 (123.8) | 3.87 (98.4) | 2.50 x 3.43 (63.5 x 87.3) | 8 (3.63) |
| 175 | 750 | 3.25 (82.6) | 5.87 (149.2) | 3.87 (98.4) | 2.50 x 4.43 (63.5 x 112.7) | 11 (5.00) |
| 1100 | 1000 | 4.50 (114.3) | 5.12 (130.2) | 5.50 (139.7) | 3.50 x 3.50 (88.9 x 88.9) | 14 (6.35) |
| 1150 | 1500 | 4.50 (114.3) | 6.12 (155.6) | 5.50 (139.7) | 3.50 x 4.50 (88.9 x 114.3) | 20 (9.07) |
| 1200 | 2000 | 4.50 (114.3) | 7.12 (181.0) | 5.50 (139.7) | 3.50 x 5.50 (88.9 x 139.7) | 26 (11.79) |

| Part Number | VA | Dimensions | | | Mounting Centers | Weight |
|-------------|------|--------------|--------------|--------------|-----------------------------|------------|
| | | Width | Depth | Height | | |
| | | Inches (mm) | | | | |
| 110-OF | 100 | 2.25 (57.2) | 2.00 (50.8) | 1.93 (49.2) | 2.81 (71.4) | 1.3 (0.59) |
| 112-OF | 120 | 3.37 (85.7) | 2.50 (63.5) | 2.87 (73.0) | 2.81 x 1.87 (71.4 x 47.6) | 2.5 (1.13) |
| 115-OF | 150 | 3.37 (85.7) | 2.75 (69.9) | 2.87 (73.0) | 2.81 x 2.12 (71.4 x 54.0) | 3.0 (1.36) |
| 120-OF | 200 | 3.37 (85.7) | 2.87 (73.0) | 2.87 (73.0) | 2.81 x 2.25 (71.4 x 57.2) | 3.5 (1.59) |
| 125-OF | 250 | 3.37 (85.7) | 3.25 (82.6) | 2.87 (73.0) | 2.81 x 2.62 (71.4 x 66.7) | 4.2 (1.90) |
| 130-OF | 300 | 3.75 (95.3) | 3.25 (82.6) | 3.12 (79.4) | 3.12 x 2.50 (79.4 x 63.5) | 5.0 (2.27) |
| 150-OF | 500 | 3.75 (95.3) | 4.25 (107.9) | 3.12 (79.4) | 3.12 x 3.50 (79.4 x 88.9) | 8.0 (3.63) |
| 175-OF | 750 | 3.75 (95.3) | 5.25 (133.4) | 3.12 (79.4) | 3.12 x 4.50 (79.4 x 114.3) | 11 (5.00) |
| 1100-OF | 1000 | 5.25 (133.4) | 4.50 (114.3) | 4.37 (111.1) | 4.37 x 3.12 (111.1 x 79.4) | 14 (6.35) |
| 1150-OF | 1500 | 5.25 (133.4) | 5.50 (139.7) | 4.37 (111.1) | 4.37 x 4.12 (111.1 x 104.8) | 19 (8.62) |
| 1200-OF | 2000 | 5.25 (133.4) | 6.50 (165.1) | 4.37 (111.1) | 4.37 x 5.12 (111.1 x 130.2) | 25 (11.34) |

Custom versions available upon request.

©2015 Signal Transformer Inc. Specifications subject to change without notice. 07.15



www.signaltransformer.com

500 Bayview Avenue, Inwood, NY 11096
Toll Free 866-239-5777 • Tel 516-239-5777 • Fax 516-239-7208
sales@signaltransformer.com • techhelp@signaltransformer.com

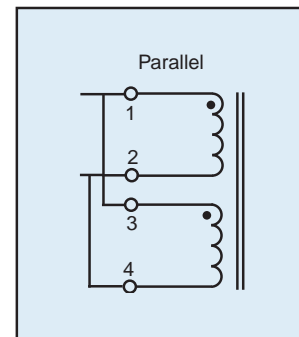
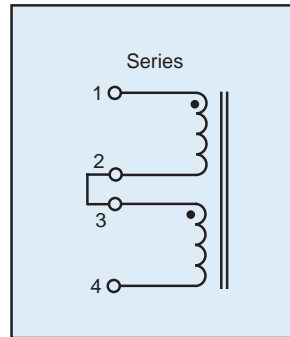
Filter and Dual Chokes Chassis Mount



Signal's CH and CL chokes are designed to complement the rectifier power transformers so that a set may be specified for DC power supplies using inductive filters.

General Specifications

- Inductance - 0.12 mHY to 100 mHY
- DC Current - 1.0 ADC to 200 ADC
- Insulation System - Class B insulation, 130° C



| Part Number | Inductance mHY | Current Amps | Resistance Ohms | Mounting Style | Dimensions | | | | | Mounting Screw | Weight lbs (kg) |
|-------------|-------------------|-----------------|--------------------|----------------|-----------------|-----------------|-----------------|-----------------|-----------------|----------------|-----------------------|
| | | | | | L | W | H | ML | MW | | |
| | | | | | Inches (mm) | | | | | | |
| CH-1 | 100 | 1 | 1.5 | B | 3.00 (76.2) | 2.50 (63.5) | 2.50 (63.5) | 2.50 (63.5) | 2.00 (50.8) | #8 | 2.3 (1.04) |
| CH-2 | 70 | 2 | 0.9 | B | 3.37 (85.7) | 2.75 (69.9) | 2.87 (73.0) | 2.81 (71.4) | 2.12 (53.9) | #8 | 3.2 (1.45) |
| CH-4 | 70 | 4 | 0.6 | B | 3.75 (95.3) | 3.12 (79.4) | 3.25 (82.6) | 3.12 (79.4) | 2.50 (63.5) | #8 | 5.3 (2.40) |
| CH-6 | 40 | 6 | 0.4 | B | 3.75 (95.3) | 3.62 (92.1) | 3.25 (82.6) | 3.12 (79.4) | 3.00 (76.2) | #8 | 6.5 (2.95) |
| CH-8 | 30 | 8 | 0.3 | B | 4.12 (104.8) | 3.62 (92.1) | 3.50 (88.9) | 3.43 (87.3) | 3.00 (76.2) | #10 | 8 (3.63) |
| CH-12 | 15 | 12 | 0.1 | B | 5.25 (133.4) | 4.00 (101.6) | 4.43 (112.7) | 4.37 (111.1) | 3.12 (79.4) | #10 | 13.7 (6.21) |
| CH-16 | 15 | 16 | 0.08 | B | 5.25 (133.4) | 4.62 (117.5) | 4.43 (112.7) | 4.37 (111.1) | 3.62 (92.0) | #10 | 17.5 (7.94) |
| CH-20 | 7 | 20 | 0.05 | B | 5.25 (133.4) | 4.00 (101.6) | 4.43 (112.7) | 4.37 (111.1) | 3.12 (79.4) | #10 | 13.3 (6.03) |
| CH-25 | 5 | 25 | 0.025 | B | 5.25 (133.4) | 4.75 (120.7) | 4.43 (112.7) | 4.37 (111.1) | 3.87 (98.4) | #10 | 17.8 (8.07) |
| CH-30 | 4 | 30 | 0.01 | B | 6.37 (161.9) | 5.00 (127.0) | 5.37 (136.5) | 5.31 (134.9) | 3.37 (85.7) | 1/4 | 24.4 (11.07) |
| CH-50 | 1.4 | 50 | 0.01 | B | 6.37 (161.9) | 5.25 (133.4) | 5.37 (136.5) | 5.31 (134.9) | 3.75 (95.3) | 1/4 | 26.7 (12.11) |
| CH-100 | 0.5 | 100 | 0.005 | B | 6.37 (161.9) | 6.25 (158.8) | 5.37 (136.5) | 5.31 (134.9) | 4.12 (104.8) | 1/4 | 31.4 (14.24) |
| CH-200 | 0.3 | 200 | 0.001 | B | 7.50 (190.5) | 7.50 (190.5) | 6.25 (158.8) | 6.75 (171.5) | 4.12 (104.8) | 1/4 | 48.0 (21.77) |

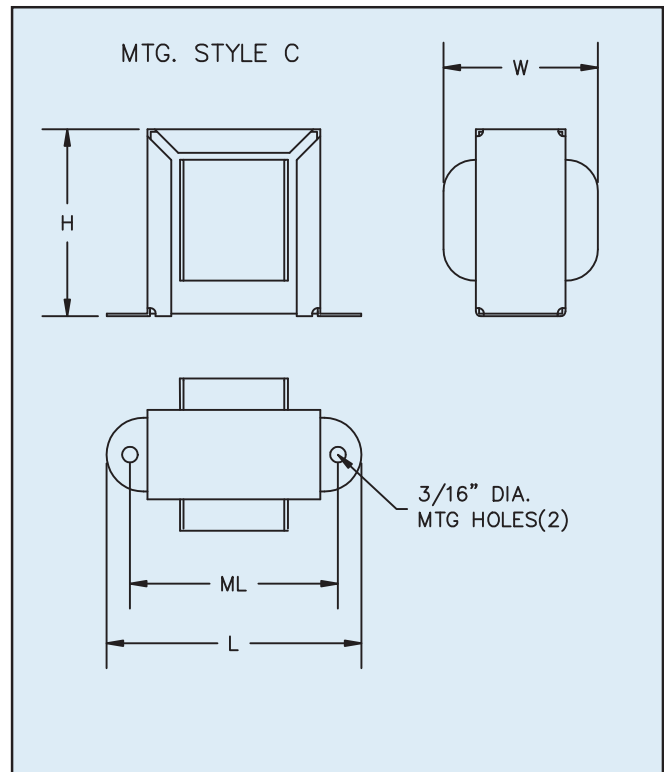
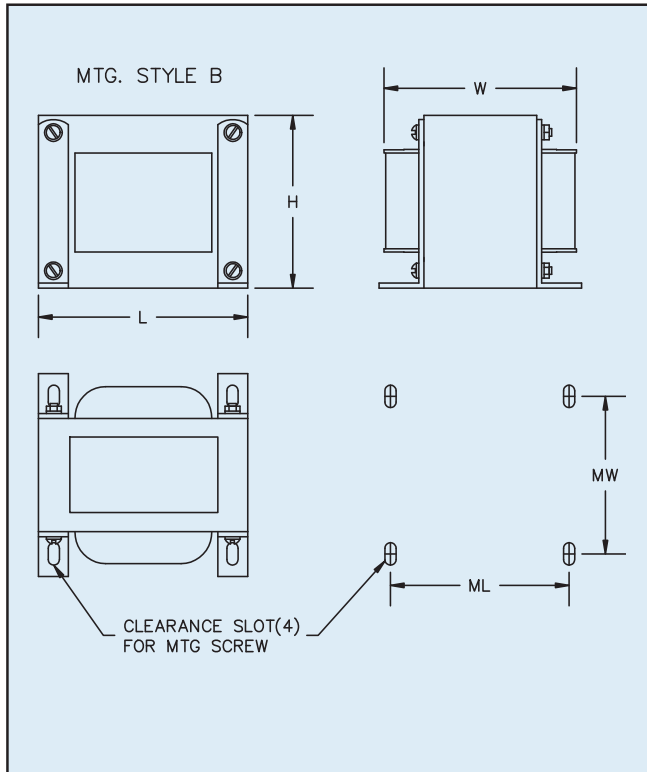
Custom versions available upon request.

©2015 Signal Transformer Inc. Specifications subject to change without notice. 07.15



500 Bayview Avenue, Inwood, NY 11096
Toll Free 866-239-5777 • Tel 516-239-5777 • Fax 516-239-7208
sales@signaltransformer.com • techhelp@signaltransformer.com

Filter and Dual Chokes Chassis Mount



| Part Number | Series Connected | | | Parallel Connected | | | Mounting Style | Dimensions | | | | | Mounting Screw | Weight |
|-------------|------------------|-------|--------|--------------------|-------|--------|----------------|-----------------|----------------|----------------|----------------|----------------|----------------|---------------|
| | Ind. | Curr. | Res. | Ind. | Curr. | Res. | | L | W | H | ML | MW | | |
| | mHY | Amps | Ohms | mHY | Amps | Ohms | | Inches (mm) | | | | | | lbs (kg) |
| CL-1-2 | 72 | 1 | 1.4 | 18 | 2 | 0.35 | C | 2.87 (73.0) | 1.75 (44.5) | 2.31 (58.7) | 2.37 (60.3) | — | #8 | 0.9 (0.41) |
| CL-2-4 | 40 | 2 | 0.7 | 10 | 4 | 0.18 | C | 3.12 (79.4) | 2.12 (53.9) | 2.75 (69.9) | 2.81 (71.4) | — | #8 | 1.5 (0.68) |
| CL-4-8 | 20 | 4 | 0.3 | 5 | 8 | 0.075 | B | 3.00 (76.2) | 2.87 (73.0) | 2.50 (63.5) | 2.50 (63.5) | 2.50 (63.5) | #8 | 3.0 (1.36) |
| CL-6-12 | 12 | 6 | 0.15 | 3 | 12 | 0.038 | B | 3.37 (85.7) | 3.06 (77.7) | 2.81 (71.4) | 2.81 (71.4) | 2.50 (63.5) | #8 | 4.0 (1.81) |
| CL-12-24 | 4.8 | 12 | 0.052 | 1.2 | 24 | 0.013 | B | 3.37 (85.7) | 3.56 (90.5) | 2.81 (71.4) | 2.81 (71.4) | 3.00 (76.2) | #8 | 5.3 (2.40) |
| CL-25-50 | 1.2 | 25 | 0.012 | 0.3 | 50 | 0.003 | B | 3.75 (98.3) | 3.37 (85.7) | 3.37 (85.7) | 3.12 (79.4) | 2.75 (69.9) | #8 | 6.0 (2.72) |
| CL-50-100 | 0.5 | 50 | 0.0043 | 0.12 | 100 | 0.0011 | B | 4.50 (114.3) | 3.75 (95.3) | 3.75 (95.3) | 3.75 (95.3) | 2.50 (63.5) | #8 | 8.0 (3.63) |

Signal's dual chokes are supplied with 2 windings which may be series or parallel connected with rating shown on chart. This line is designed for applications requiring lower inductance value at high currents such as low voltage, DC supplies or SCR filters.

Custom versions available upon request.

©2015 Signal Transformer Inc. Specifications subject to change without notice. 07.15



www.signaltransformer.com

500 Bayview Avenue, Inwood, NY 11096
Toll Free 866-239-5777 • Tel 516-239-5777 • Fax 516-239-7208
sales@signaltransformer.com • techhelp@signaltransformer.com

Power Isolation Transformers

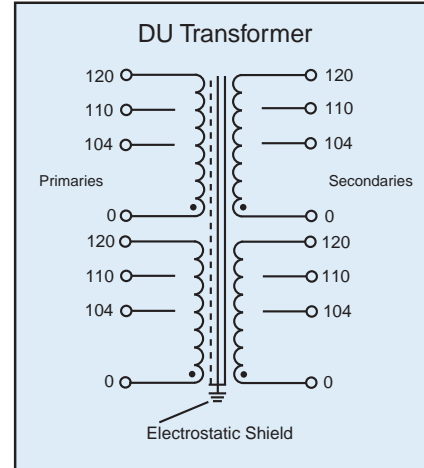
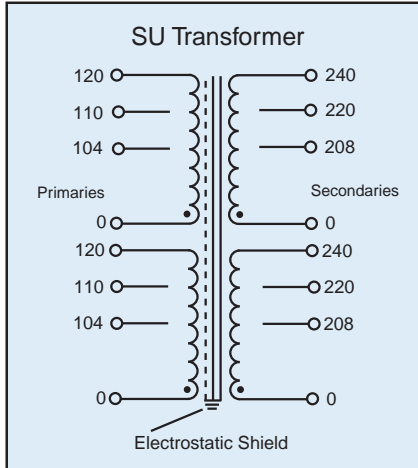
Industrial Grade Step-Up or Step-Down Transformers



Signal's DU and SU transformers have been designed to provide a multitude of step-up or step-down voltages to accommodate various input voltages available throughout the world.

General Specifications

- Power - 250 VA to 10 KVA (500 VA to 20 KVA possible if used as auto-transformer)
- Dielectric Strength - 2500 Vrms Hipot
- Primaries - Dual/tapped primaries: Parallel connected (104V, 110V, 120V - 50-500 Hz)
Series connected (208V, 220V, 230V, 240V)
- Secondaries - Dual/tapped secondaries:
DU Series - Parallel connected (104V, 110V, 120V - 50-500 Hz)
Series connected (208V, 220V, 230V, 240V - 50-500 Hz)
SU Series - Parallel connected (208V, 220V, 240V - 50-500 Hz)
Series connected (416V, 440V, 460V, 480V - 50-500 Hz)
- Electrostatic Shield - Solid copper foil connected to ground. The connection may be opened if an un-grounded shield is desired.
- Terminals - Plated brass screw-type terminals
- Insulation System - Class B, 130° C
- Higher insulation classes available



As shown on the schematic diagram the DU line incorporates dual primaries and secondaries. All four windings are identically rated at 0/104/110/120V. This permits series or parallel connections on either primary or secondary. Therefore, a nominal 110V to 110V, 220V to 220V, 110V to 220V, or 220V to 110V transformer can be configured. The winding tap permits intermediate series ratings such as 208V, 214V, or 230V. It is also possible to make auto-transformer connections by connecting a primary group in series with a secondary group. Such nominal ratings as 440V to 220V or 220V to 440V can be configured in addition to the standard ratings described above. A further advantage to auto-transformer connection is the fact that the KVA rating of a particular type is doubled.

| Part Number | KVA | Series Secondaries | | Parallel Secondaries | |
|-------------|-----|--------------------|----------|----------------------|----------|
| | | Volts | Max Amps | Volts | Max Amps |
| DU-1/4 | 1/4 | 0/208/220/240 | 1.1 | 0/104/110/120 | 2.2 |
| DU-1/2 | 1/2 | 0/208/220/240 | 2.3 | 0/104/110/120 | 4.6 |
| DU-1 | 1 | 0/208/220/240 | 4.5 | 0/104/110/120 | 9 |
| DU-2 | 2 | 0/208/220/240 | 9 | 0/104/110/120 | 18 |
| DU-3 | 3 | 0/208/220/240 | 14 | 0/104/110/120 | 28 |
| DU-5 | 5 | 0/208/220/240 | 23 | 0/104/110/120 | 46 |
| DU-7.5 | 7.5 | 0/208/220/240 | 31 | 0/104/110/120 | 62 |
| DU-10 | 10 | 0/208/220/240 | 41 | 0/104/110/120 | 82 |

| Part Number | KVA | Series Secondaries | | Parallel Secondaries | |
|-------------|-----|--------------------|----------|----------------------|----------|
| | | Volts | Max Amps | Volts | Max Amps |
| SU-1/4 | 1/4 | 0/416/440/480 | 0.55 | 0/208/220/240 | 1.1 |
| SU-1/2 | 1/2 | 0/416/440/480 | 1.15 | 0/208/220/240 | 2.3 |
| SU-1 | 1 | 0/416/440/480 | 2.25 | 0/208/220/240 | 4.5 |
| SU-2 | 2 | 0/416/440/480 | 4.5 | 0/208/220/240 | 9 |
| SU-3 | 3 | 0/416/440/480 | 7 | 0/208/220/240 | 14 |
| SU-5 | 5 | 0/416/440/480 | 11.5 | 0/208/220/240 | 23 |
| SU-7.5 | 7.5 | 0/416/440/480 | 15.5 | 0/208/220/240 | 31 |
| SU-10 | 10 | 0/416/440/480 | 20.5 | 0/208/220/240 | 41 |

Custom versions available upon request.

©2015 Signal Transformer Inc. Specifications subject to change without notice. 07.15

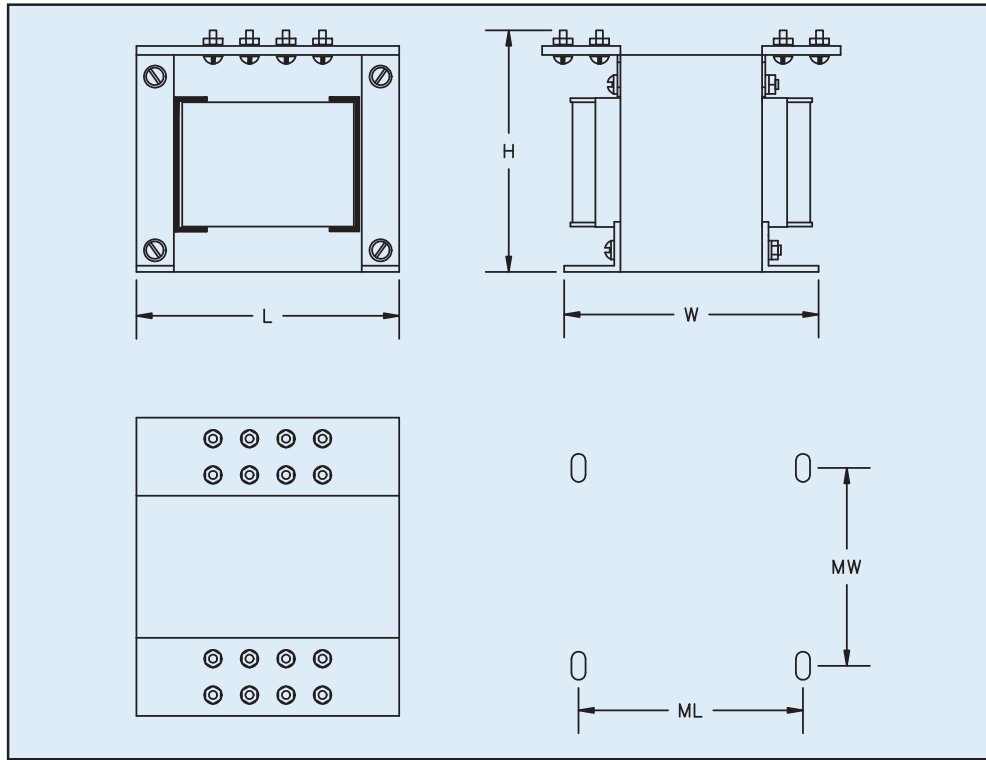


www.signaltransformer.com

500 Bayview Avenue, Inwood, NY 11096
Toll Free 866-239-5777 • Tel 516-239-5777 • Fax 516-239-7208
sales@signaltransformer.com • techhelp@signaltransformer.com

Power Isolation Transformers

Industrial Grade Step-Up or Step-Down Transformers



| Part Number | Dimensions | | | | | Mtg. & Term. Screw | Weight |
|-------------|-------------|-----------------|------------------|-----------------|-----------------|--------------------|-----------------------|
| | L* | W* | H* | ML† | MW‡ | | |
| | Inches (mm) | | | | | | lbs (kg) |
| DU-1/4 | SU-1/4 | 5.31 (134.9) | 4.25 (107.9) | 5.25 (133.4) | 4.37 (111.1) | 2.50 (63.5) | #10 12 (5.44) |
| DU-1/2 | SU-1/2 | 5.31 (134.9) | 5.31 (134.9) | 5.25 (133.4) | 4.37 (111.1) | 3.62 (92.1) | #10 18 (8.16) |
| DU-1 | SU-1 | 7.56 (192.1) | 6.25 (158.8) | 7.37 (187.3) | 6.75 (171.5) | 4.12 (104.8) | 1/4 33 (14.97) |
| DU-2 | SU-2 | 7.56 (192.1) | 8.25 (209.6) | 7.37 (187.3) | 6.75 (171.5) | 6.00 (152.4) | 1/4 56 (25.40) |
| DU-3 | SU-3 | 7.56 (192.1) | 9.25 (234.9) | 7.37 (187.3) | 6.75 (171.5) | 7.00 (177.8) | 1/4 70 (31.75) |
| DU-5 | SU-5 | 7.56 (192.1) | 10.75 (273.1) | 7.37 (187.3) | 6.75 (171.5) | 8.50 (215.9) | 1/4 89 (40.37) |
| DU-7.5 | SU-7.5 | 9.00 (228.6) | 10.75 (273.1) | 8.00 (203.2) | 7.50 (190.5) | 6.50 (165.1) | 1/4 105 (47.63) |
| DU-10 | SU-10 | 9.00 (228.6) | 13.00 (330.2) | 8.00 (203.2) | 7.50 (190.5) | 9.00 (228.6) | 1/4 150 (68.04) |

*Maximum
 † ± 0.06 (1.6mm)
 ‡ ± 0.12 (3.2mm)

Custom versions available upon request.

©2015 Signal Transformer Inc. Specifications subject to change without notice. 07.15



500 Bayview Avenue, Inwood, NY 11096
 Toll Free 866-239-5777 • Tel 516-239-5777 • Fax 516-239-7208
 sales@signaltransformer.com • techhelp@signaltransformer.com

Industrial Control Transformers

Isolation and Buck Boost in a NEMA 3R Compliant Enclosure



The ICT series is designed with flexibility to support both isolation and/or buck boost severe duty applications while offering many standard features.

Features

- Epoxy encapsulated, impervious to atmospheric conditions
- Incorporates Class H 180.0C, UL 1446 insulation systems
- Powder-coated, NEMA 3R-compliant steel case
- Line isolation and stray field filtering
- Bottom and/or side conduit access
- Convenient side or top mounting offers easy access
- Available with optional NEMA cord set and outlet
- Suitable for both indoor and outdoor applications
- Standard input voltage: 115, 230, and 480
- Standard available outputs: 12, 16, 20, 24, and 115
- Electrostatic screen (ESS) terminal
- Conforms to UL 506, 508, and 5085-2

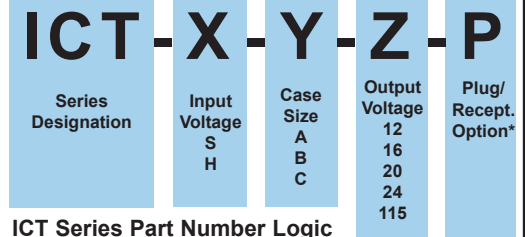


Part Number Configuration

Based on the case size, input voltage, and output voltage required.

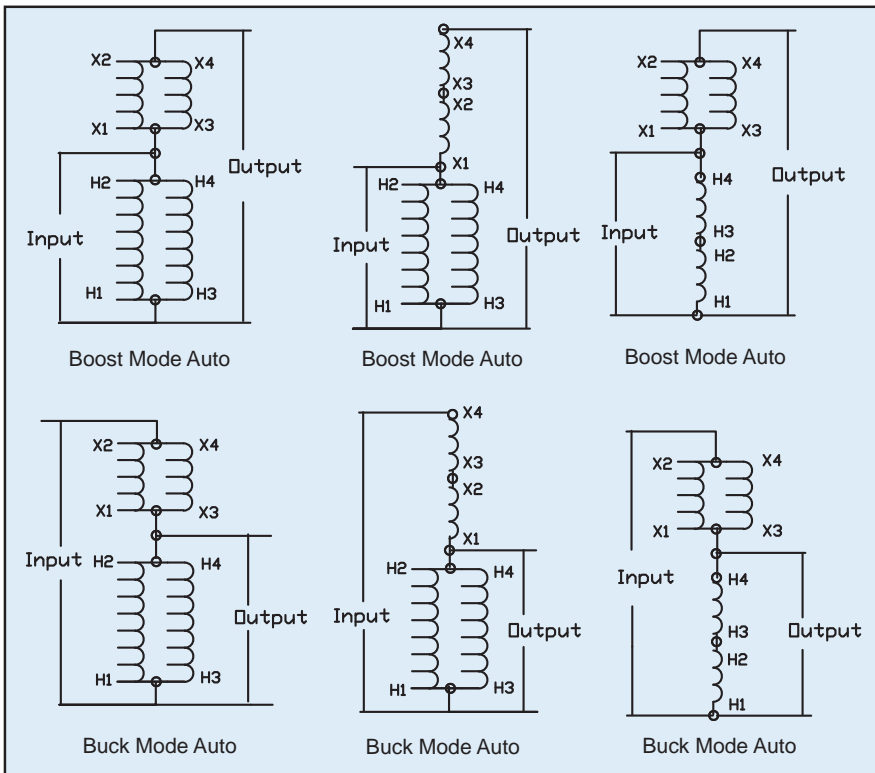
| Input Voltages | |
|----------------|----------|
| S | 2 x 115V |
| H | 2 x 240V |

| Output Voltages | |
|-----------------|----------|
| 12 | 2 x 12V |
| 16 | 2 x 16V |
| 20 | 2 x 20V |
| 24 | 2 x 24V |
| 115 | 2 x 115V |



ICT Series Part Number Logic

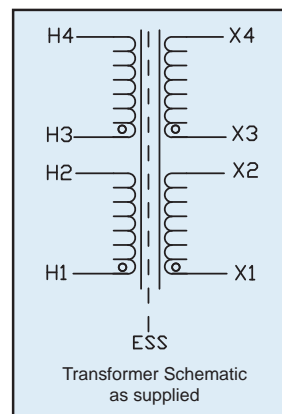
P(*) - Configured for 15 V Single Output



| Case Size | Isolation Mode | Buck Boost Mode |
|-----------|----------------|-----------------|
| | VA (max) | |
| A | 500 | 1000 |
| B | 1000 | 2000 |
| C | 1800 | 3600 |

Case Size Selection

When configured in buck or boost modes, the ICT transformer's maximum VA rating exceeds the VA rating listing for isolation mode. The maximum VA ratings are contingent on the actual configuration. Please consult Signal for specific application requirements.



Notes:

1. Units with optional line cords are for indoor use only.
2. Contact Signal for compliance services.

Custom versions available upon request.

©2015 Signal Transformer Inc. Specifications subject to change without notice. 07.15

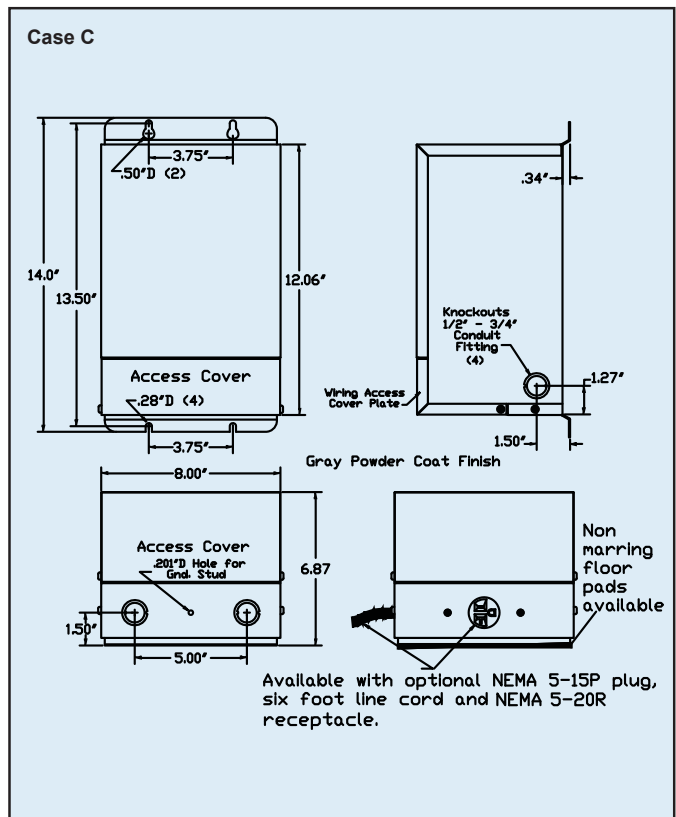
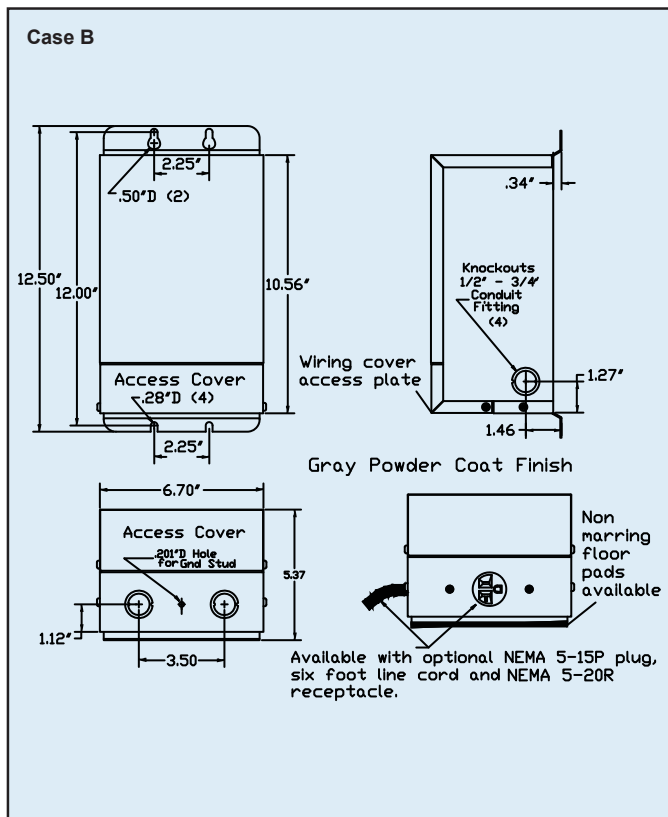
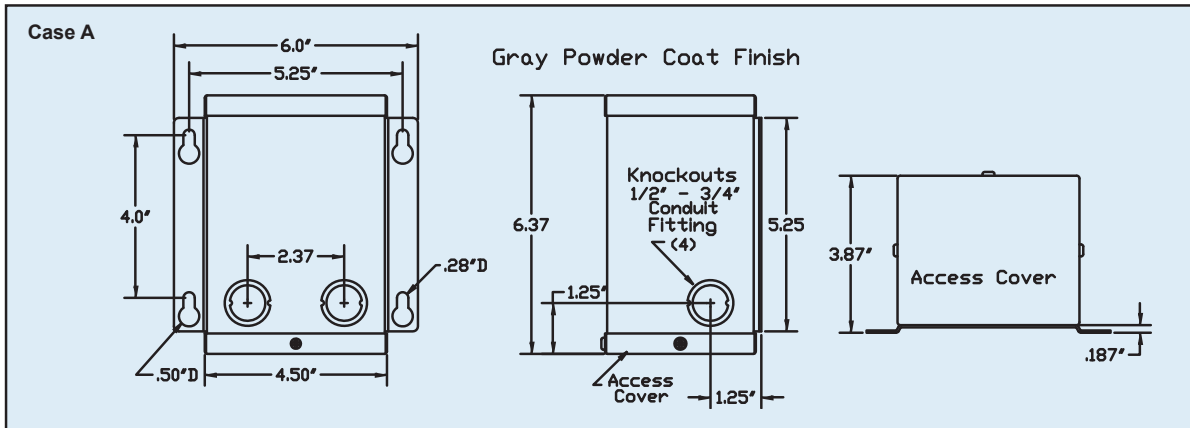


www.signaltransformer.com

500 Bayview Avenue, Inwood, NY 11096
 Toll Free 866-239-5777 • Tel 516-239-5777 • Fax 516-239-7208
 sales@signaltransformer.com • techhelp@signaltransformer.com

Industrial Control Transformers

Isolation and Buck Boost in a NEMA 3R Compliant Enclosure



Custom versions available upon request.

©2015 Signal Transformer Inc. Specifications subject to change without notice. 07.15



www.signaltransformer.com

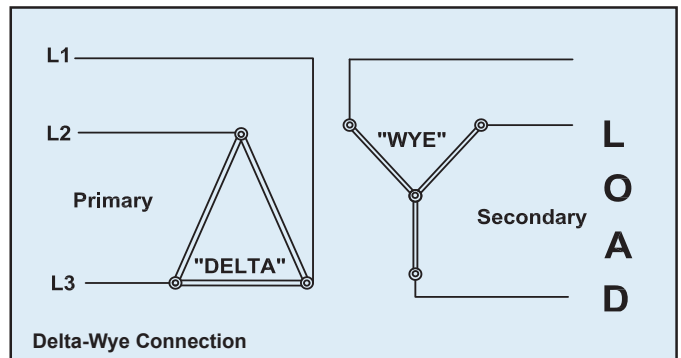
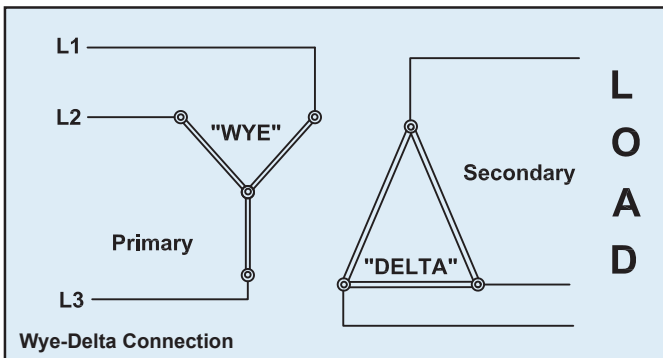
500 Bayview Avenue, Inwood, NY 11096
 Toll Free 866-239-5777 • Tel 516-239-5777 • Fax 516-239-7208
 sales@signaltransformer.com • techhelp@signaltransformer.com

Three Phase Transformers

Custom Designs to Meet Your Requirements
Available with UL Recognition



Signal's Three Phase transformers support power distribution, as well as low or high voltages and currents.



Capabilities

From small PC mount 100 VA devices to large 45 KVA designs, we tailor these transformers to your specific needs. Our Three Phase transformers are designed to cover a frequency range of 50 to 400 Hz, can be shielded or unshielded, and are suitable for a wide variety of applications from medical equipment to avionics systems.

Agency Approvals

With our vast experience and multiple designs already registered and agency approved, Signal can expeditiously process your UL/CSA or any other certification and approval that you require.

Configurations

Transformers can be supplied prewired for D (Delta) or Y (Wye) configurations for your specific installation requirements. Transformers are available with multiple taps, fuses, thermal cut-off, and multiple hardware and termination schemes. Our miniature Three Phase transformers are available for through hole, printed circuit board mounting.

Materials

Signal's Three Phase Transformers are constructed with copper windings and grain-oriented silicon core materials assuring extremely high efficiency and the lowest loss possible. We manufacture using only the highest grade electrical insulation materials in order to meet the most demanding isolating applications and temperature requirements.

Fast Response and Delivery

For most designs, we'll provide a quote within 48 hours and deliveries follow within a few weeks.

Request a Quote

Let us quote your existing requirements or your new design. You'll be glad that you called Signal.

©2015 Signal Transformer Inc. Specifications subject to change without notice. 07.15



www.signaltransformer.com

500 Bayview Avenue, Inwood, NY 11096
Toll Free 866-239-5777 • Tel 516-239-5777 • Fax 516-239-7208
sales@signaltransformer.com • techhelp@signaltransformer.com

High Frequency Custom Transformers

Custom Designs To Meet Your Requirements



- Transformers for switch-mode power supplies
- Telecom coupling transformers
- Common mode chokes
- Current sensing transformers
- Surface mount or through hole packaging
- Platforms Available
 - EE/EI/UI core
 - RM core
 - PQ core
 - U core
 - EP core
 - ETD/EFD core
 - Toroidal - powder iron or ferrite
- Agency certifications available upon request
- Call or email with specific requirements

Custom versions available upon request.

©2015 Signal Transformer Inc. Specifications subject to change without notice. 07.15



www.signaltransformer.com

500 Bayview Avenue, Inwood, NY 11096
Toll Free 866-239-5777 • Tel 516-239-5777 • Fax 516-239-7208
sales@signaltransformer.com • techhelp@signaltransformer.com



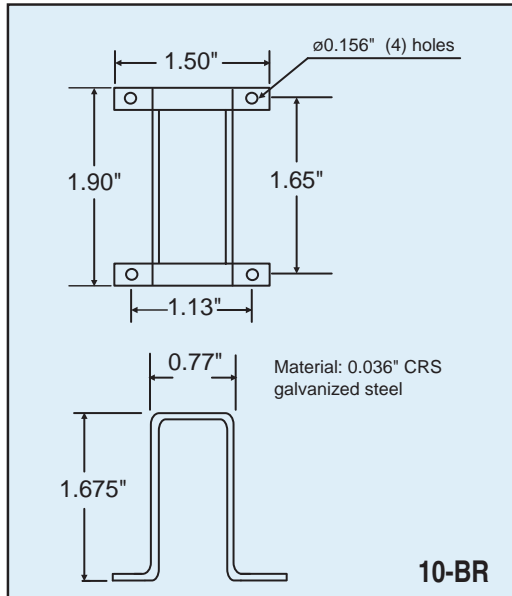
Accessories

Mounting Hardware | TransPort™ Connectors



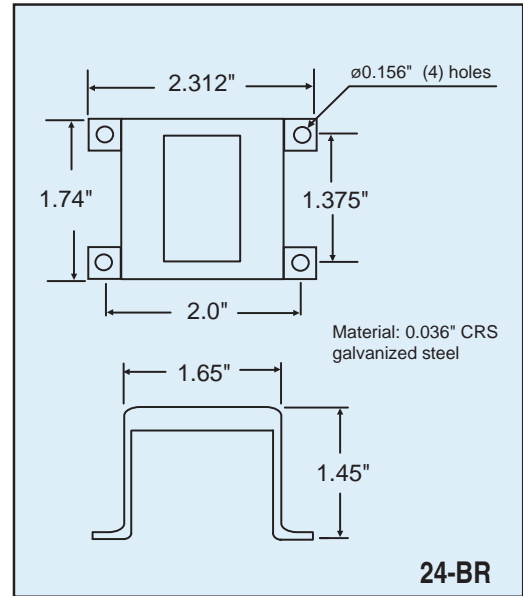
- Signal's accessory products include brackets, screws and TransPort™ connectors to be used in conjunction with a variety of our power transformers.

Brackets

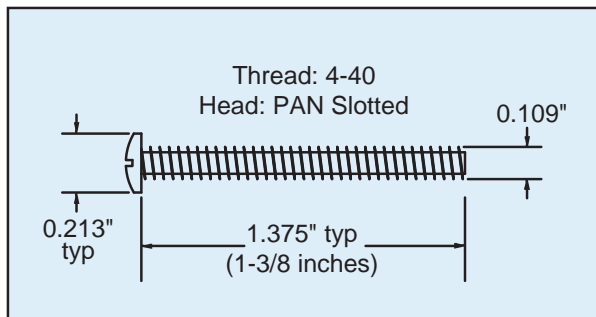


| Bracket | | |
|---------|----------------|----------------|
| Number | MW | MD |
| | Inches (mm) | |
| 10-BR | 1.65 (41.9) | 1.13 (28.7) |
| 24-BR | 1.37 (34.9) | 2.00 (50.8) |

- 10-BR bracket for use with Signal's 10VA size PC, DPC, MPC, and DMPC series transformers
- 24-BR bracket for use with Signal's 24VA size PC, DPC, MPC, and DMPC series transformers
- Please refer to transformer data sheets for details on bracket compatibility and transformer part numbers



Screws



| Part Number | Description |
|-------------|--|
| ST-MS* | Slotted pan screw 4-40, 1 3/8" long, plastic |
| ST-MN* | Hex nut 4-40, plastic |
| 250-FO-SL* | 1/4" Fast-on spade lug (used with TransPort™ connectors) |

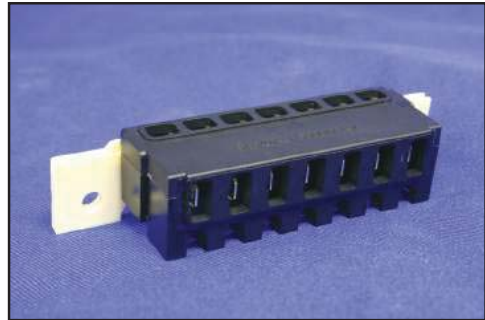
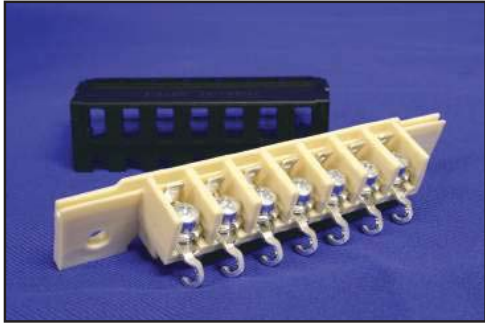
* Sold in bags of 100 only.

- For use with Signal's 14A, ST, DST, LP, and MPL series transformers
- Slotted pan screw 4-40 x 1 3/8" thread size (part number ST-MS)
- Compatible with 4-40 hex nut (part number ST-MN)

©2015 Signal Transformer Inc. Specifications subject to change without notice. 07.15

Accessories

Mounting Hardware | TransPort™ Connectors



TransPort™ Connectors

- Provides touch safe terminations and conforms to IEC60529 / IP20 requirements
- Designed to support multiple connection schemes
- For use on power transformers, inductors, and reactors with EI core assemblies
- VDE certified to EN 60998-2-1 (VDE 0613), rated at 450V, 41A, Reg-Nr B503
- CSA certified to CAN/CSA C22.2 (# 0-M91, 158-1987), Certificate # 1803371
- Certified to UL 1059, UL 310 and UL 486E
- RoHS compliant

TransPort™ connectors provide touch safe electrical terminations for power transformers, inductors, and reactors with EI-type core assemblies. The connectors may also be attached to bulkheads and chassis where touch safe terminations are required.

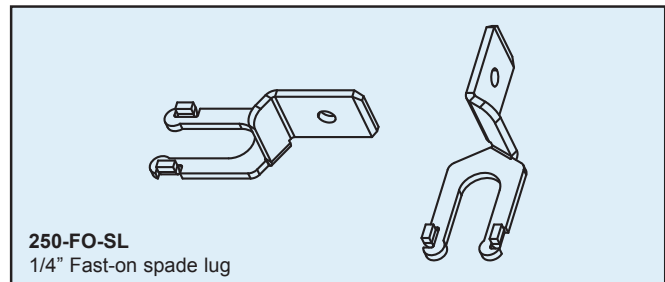
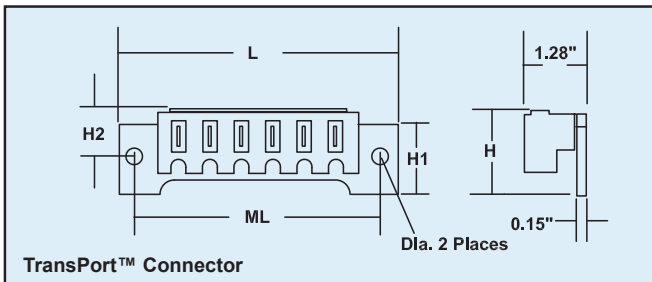
The connectors' modular design provides superior strength and rigidity over singular terminal components while minimizing handling and storage issues. This series offers multiple connection schemes in one compact package including 3/16" and 1/4" Fast-On as well as screw/binding clamp for hard wiring. Integral mounting holes provide secure attachment with no need for additional insulating hardware.



TransPort™'s unique modular design supports multiple connection schemes.



Note: The 1/4" Fast-On spade lug P/N 250-FO-SL can also be purchased separately.



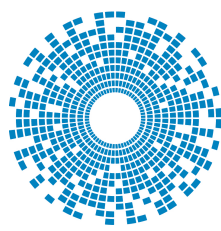
| Part Number | Positions | Diameter | L | ML | H | H1 | H2 |
|-------------|-----------|----------|-----|------|------|------|------|
| TB-1-1/4-6 | 6 | 0.224 | 3.5 | 3.12 | 1.08 | 0.81 | 0.86 |
| TB-1-3/8-7 | 7 | 0.224 | 4.1 | 3.45 | 1.18 | 0.91 | 0.92 |
| TB-1-1/2-7 | 7 | 0.224 | 4.2 | 3.75 | 1.08 | 0.81 | 0.78 |
| TB-1-3/4-8 | 8 | 0.312 | 5.0 | 4.39 | 1.08 | 0.81 | 0.73 |
| TB-2-1/8-8 | 8 | 0.312 | 6.2 | 5.33 | 1.08 | 0.81 | 0.73 |
| TB-2-1/4-8 | 8 | 0.312 | 6.9 | 5.84 | 1.08 | 0.81 | 0.73 |
| TB-2-1/2-8 | 8 | 0.312 | 7.4 | 6.68 | 1.08 | 0.81 | 0.73 |

©2015 Signal Transformer Inc. Specifications subject to change without notice. 07.15



www.signaltransformer.com

500 Bayview Avenue, Inwood, NY 11096
Toll Free 866-239-5777 • Tel 516-239-5777 • Fax 516-239-7208
sales@signaltransformer.com • techhelp@signaltransformer.com



signal
TRANSFORMER

a bel group



Signal Transformer

500 Bayview Avenue

Inwood, NY 11096-1792

Phone: 516 239 5777

Fax: 516 239 7208

sales@signaltransformer.com

techhelp@signaltransformer.com

www.signaltransformer.com