

Gallium Arsenide PHEMT

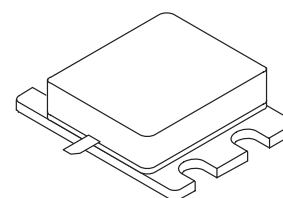
RF Power Field Effect Transistor

Designed for WLL base station applications with frequencies from 3400 to 3600 MHz. Suitable for TDMA and CDMA amplifier applications. To be used in Class AB applications.

- Typical Single-Carrier W-CDMA Performance: $V_{DD} = 12$ Volts, $I_{DQ} = 650$ mA, $P_{out} = 3$ Watts Avg., $f = 3550$ MHz, Channel Bandwidth = 3.84 MHz, Peak/Avg. = 8.5 dB @ 0.01% Probability on CCDF.
 Power Gain — 12 dB
 Drain Efficiency — 21%
 ACPR @ 5 MHz Offset — -41 dBc @ 3.84 MHz Channel Bandwidth
- Internally Matched, Controlled Q, for Ease of Use
- High Gain, High Efficiency and High Linearity
- Excellent Thermal Stability
- In Tape and Reel. R5 Suffix = 50 Units per 56 mm, 13 inch Reel.

MRF35030R5

**3550 MHz, 30 W, 12 V
 SINGLE W-CDMA
 POWER FET
 GaAs PHEMT**



CASE 1490-02, STYLE 1

Table 1. Maximum Ratings

Rating	Symbol	Value	Unit
Drain-Source Voltage	V_{DSS}	15	Vdc
Total Device Dissipation @ $T_C = 25^\circ\text{C}$ Derate above 25°C	P_D	79 0.53	W W/ $^\circ\text{C}$
Gate-Source Voltage	V_{GS}	- 5	Vdc
RF Input Power	P_{in}	37	dBm
Storage Temperature Range	T_{stg}	- 40 to +175	$^\circ\text{C}$
Channel Temperature (1)	T_{ch}	175	$^\circ\text{C}$
Operating Case Temperature Range	T_C	- 20 to +90	$^\circ\text{C}$

Table 2. Thermal Characteristics

Characteristic	Symbol	Value	Unit
Thermal Resistance, Junction to Case	$R_{\theta JC}$	1.9	$^\circ\text{C}/\text{W}$

1. For reliable operation, the operating channel temperature should not exceed 150°C .

Table 3. Electrical Characteristics ($T_C = 25^\circ\text{C}$ unless otherwise noted)

Characteristic	Symbol	Min	Typ	Max	Unit
DC Characteristics					
Off State Drain Current ($V_{DS} = 3.5\text{ Vdc}$, $V_{GS} = -2\text{ Vdc}$)	I_{DSO}	—	15	425	μA dc
Off State Current ($V_{DS} = 28.5\text{ Vdc}$, $V_{GS} = -2.5\text{ Vdc}$)	I_{DSX}	—	5	42.5	mA dc
Gate–Source Cut–off Voltage ($V_{DS} = 3.5\text{ Vdc}$, $I_{DS} = 1\text{ mA/mm}$)	$V_{GS(th)}$	-0.7	-0.85	-1.1	Vdc

Functional Tests (In Freescale Test Fixture, 50 ohm system) ⁽¹⁾ $V_{DD} = 12\text{ Vdc}$, $I_{DQ} = 650\text{ mA}$, $P_{out} = 3\text{ W Avg.}$, $f = 3550\text{ MHz}$, Single-carrier W-CDMA, 3.84 MHz Channel Bandwidth Carrier. ACPR measured in 3.84 MHz Channel Bandwidth @ $\pm 5\text{ MHz}$ Offset. Peak/Avg. = 8.5 dB @ 0.01% Probability on CCDF.

Power Gain	G_{ps}	10	12	—	dB
Drain Efficiency	η_D	17	21	—	%
Adjacent Channel Power Ratio	ACPR	—	-41	-36	dBc

Typical RF Performance (In Freescale Test Fixture, 50 ohm system) $V_{DD} = 12\text{ Vdc}$, $I_{DQ} = 650\text{ mA}$, $f = 3550\text{ MHz}$

Output Power, 1 dB Compression Point, CW	P1dB	—	30	—	W
--	------	---	----	---	---

1. Measurements made with device in test fixture.

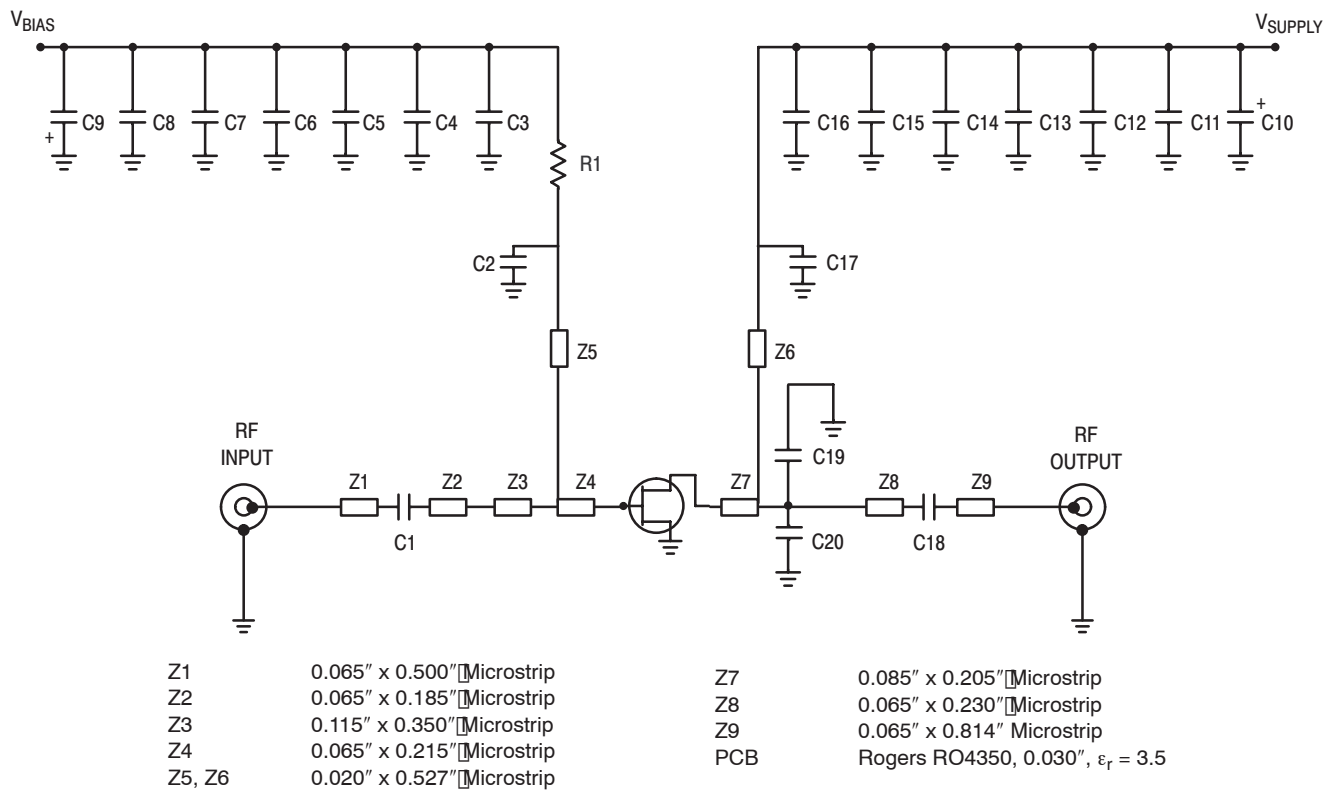
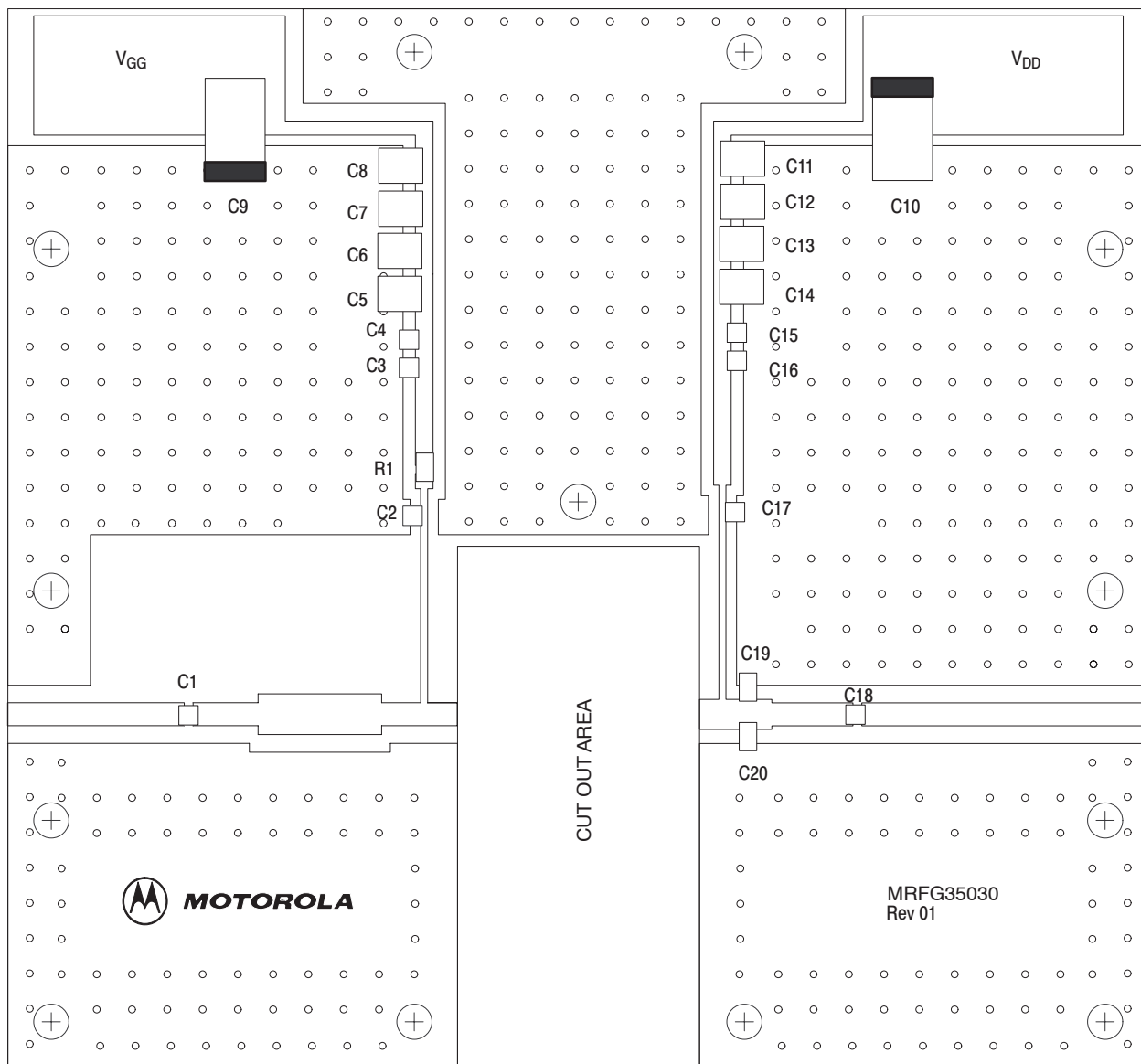


Figure 1. MRFG35030 Test Circuit Schematic

Table 4. MRFG35030 Test Circuit Component Designations and Values

Part	Description	Part Number	Manufacturer
C1, C2, C17	6.8 pF Chip Capacitors	100A6R8CP500X	ATC
C3, C16	10 pF Chip Capacitors	100A100JP500X	ATC
C4, C15	100 pF Chip Capacitors	100A101JP500X	ATC
C5, C14	100 pF Chip Capacitors	100B101JP500X	ATC
C6, C13	1000 pF Chip Capacitors	100B102JP500X	ATC
C7, C12	0.1 μ F Chip Capacitors	CDR33BX104AKWS	Newark
C8, C11	39K Chip Capacitors	200B393KP50X	ATC
C9, C10	22 μ F, 35 V Tantalum Capacitors	T491X226K035AS	ATC
C18	1.0 pF Chip Capacitor	08051J1R0BBT	AVX
C19	0.7 pF Chip Capacitor	08051J0R7BBT	AVX
C20	0.3 pF Chip Capacitor	08051J0R3BBT	AVX
R1	10 Ω , 1/4 W, 1% Resistor	D55342M07B10J0R	Dale



Freescale has begun the transition of marking Printed Circuit Boards (PCBs) with the Freescale Semiconductor signature/logo. PCBs may have either Motorola or Freescale markings during the transition period. These changes will have no impact on form, fit or function of the current product.

Figure 2. MRFG35030 Test Circuit Component Layout

TYPICAL CHARACTERISTICS

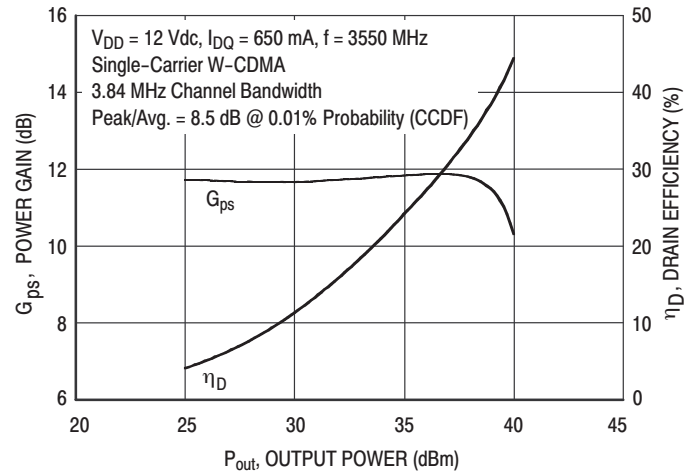


Figure 3. Single-Carrier W-CDMA Power Gain and Drain Efficiency versus Output Power

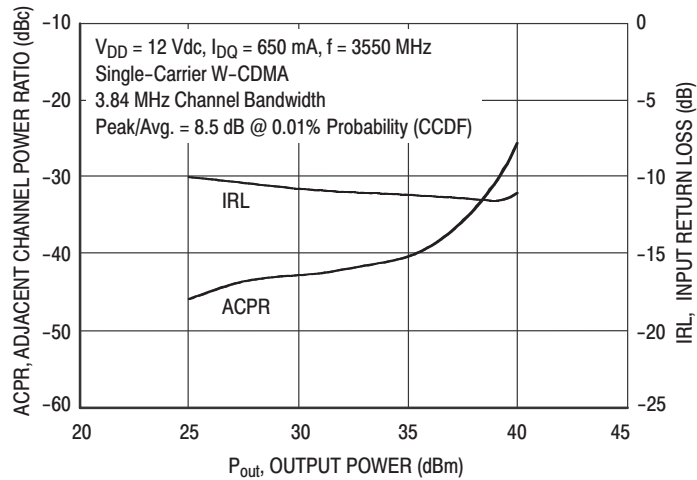


Figure 4. Single-Carrier W-CDMA Adjacent Channel Power Ratio and Input Return Loss versus Output Power

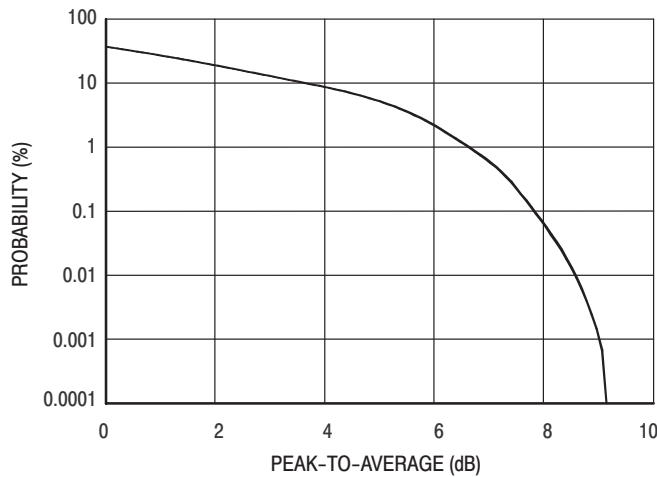


Figure 5. CCDF W-CDMA 3GPP, Test Model 1, 64 DPCH, 67% Clipping, Single-Carrier Test Signal

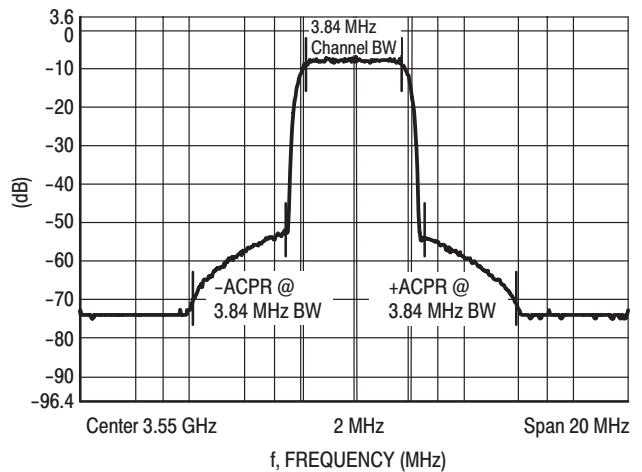
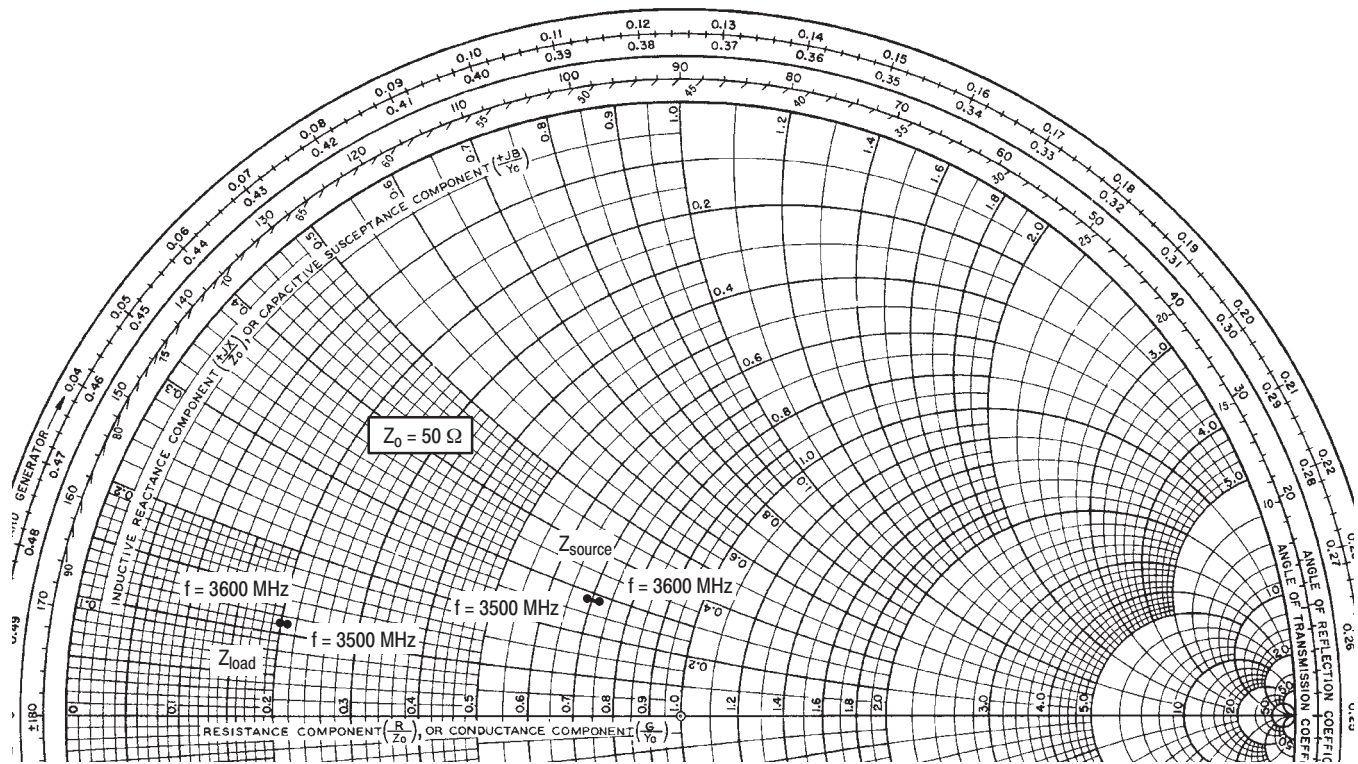


Figure 6. Single-Carrier W-CDMA Spectrum



$V_{DD} = 12 \text{ Vdc}$, $I_{DQ} = 650 \text{ mA}$, $P_{out} = 3 \text{ W Avg.}$

f MHz	Z_{source} Ω	Z_{load} Ω
3500	$34.459 + j13.83$	$10.322 + j5.42$
3550	$35.460 + j14.19$	$10.400 + j5.44$
3600	$36.000 + j14.12$	$10.100 + j5.72$

Z_{source} = Test circuit impedance as measured from gate to ground.

Z_{load} = Test circuit impedance as measured from drain to ground.

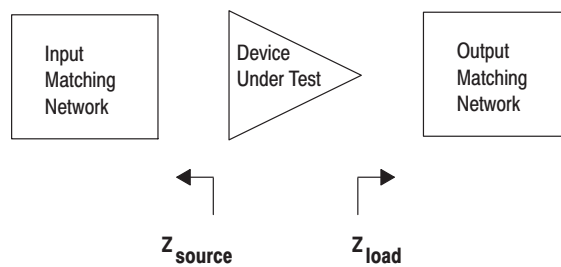


Figure 7. Series Equivalent Source and Load Impedance

Table 5. Class AB Common Source S-Parameters at $V_{DD} = 12$ Vdc, $I_{DQ} = 650$ mA

f GHz	S ₁₁		S ₂₁		S ₁₂		S ₂₂	
	S ₁₁	∠ φ	S ₂₁	∠ φ	S ₁₂	∠ φ	S ₂₂	∠ φ
1.00	0.96	146.14	0.80	26.33	0.01	-26.74	0.88	164.54
1.05	0.96	143.94	0.80	22.43	0.01	-28.86	0.88	162.97
1.10	0.96	141.83	0.80	18.46	0.01	-31.83	0.88	161.29
1.15	0.96	139.54	0.80	14.44	0.01	-34.90	0.88	159.77
1.20	0.96	137.28	0.80	10.43	0.01	-37.88	0.88	158.47
1.25	0.96	134.74	0.80	6.28	0.01	-40.90	0.88	157.36
1.30	0.95	132.06	0.81	2.08	0.01	-44.27	0.88	156.46
1.35	0.95	129.35	0.82	-2.17	0.01	-47.36	0.87	155.56
1.40	0.95	126.57	0.84	-6.49	0.01	-51.09	0.86	154.65
1.45	0.95	123.71	0.86	-10.87	0.01	-55.57	0.85	153.72
1.50	0.95	120.59	0.89	-15.96	0.01	-59.77	0.84	151.32
1.55	0.94	117.35	0.92	-20.65	0.01	-64.36	0.83	150.22
1.60	0.94	113.90	0.95	-25.47	0.01	-68.43	0.82	149.03
1.65	0.94	110.38	0.99	-30.41	0.01	-72.98	0.80	147.80
1.70	0.93	106.54	1.03	-35.59	0.01	-78.34	0.79	146.32
1.75	0.93	102.65	1.08	-41.07	0.01	-83.48	0.78	144.63
1.80	0.93	98.32	1.14	-46.87	0.01	-88.75	0.77	142.65
1.85	0.92	93.83	1.19	-53.00	0.01	-94.75	0.76	140.48
1.90	0.92	89.08	1.26	-59.40	0.01	-100.91	0.75	138.36
1.95	0.91	84.07	1.32	-66.00	0.01	-106.97	0.73	136.24
2.00	0.91	78.68	1.39	-72.86	0.02	-113.46	0.72	134.10
2.05	0.90	73.15	1.46	-79.86	0.02	-120.27	0.70	132.02
2.10	0.90	67.33	1.54	-87.14	0.02	-127.45	0.68	130.09
2.15	0.89	61.07	1.62	-94.66	0.02	-135.04	0.65	127.98
2.20	0.89	54.56	1.71	-102.36	0.02	-142.85	0.63	125.90
2.25	0.89	47.64	1.80	-110.40	0.02	-150.91	0.60	123.85
2.30	0.89	40.29	1.89	-118.62	0.02	-159.34	0.56	121.74
2.35	0.89	32.60	1.99	-127.18	0.03	-168.04	0.53	119.56
2.40	0.89	24.42	2.09	-135.99	0.03	-177.20	0.49	117.39
2.45	0.88	16.02	2.20	-145.15	0.03	173.58	0.44	115.36
2.50	0.88	7.28	2.30	-154.53	0.03	163.81	0.40	113.49
2.55	0.88	-1.82	2.40	-164.19	0.03	153.87	0.35	111.97
2.60	0.88	-10.92	2.49	-174.07	0.03	143.74	0.30	111.53
2.65	0.88	-20.24	2.58	175.96	0.04	133.49	0.25	112.88
2.70	0.88	-29.71	2.66	165.78	0.04	122.87	0.21	117.12
2.75	0.87	-39.08	2.73	155.55	0.04	112.29	0.16	126.44
2.80	0.86	-48.39	2.79	145.30	0.04	101.82	0.14	143.32
2.85	0.85	-57.62	2.84	135.00	0.04	91.15	0.13	165.50
2.90	0.83	-66.46	2.89	124.74	0.04	80.47	0.16	-175.99
2.95	0.81	-75.13	2.93	114.46	0.05	69.79	0.20	-164.66
3.00	0.79	-83.52	2.98	104.21	0.05	59.07	0.24	-158.95
3.05	0.76	-91.51	3.02	93.91	0.05	48.50	0.29	-156.30
3.10	0.72	-99.34	3.06	83.64	0.05	37.72	0.35	-155.52
3.15	0.69	-106.90	3.11	73.20	0.05	26.81	0.40	-156.12
3.20	0.64	-114.08	3.17	62.60	0.05	15.81	0.45	-157.58
3.25	0.59	-120.87	3.24	51.75	0.06	4.40	0.50	-160.01
3.30	0.53	-127.33	3.31	40.49	0.06	-7.27	0.55	-163.32

Table 5. Class AB Common Source S-Parameters at $V_{DD} = 12$ Vdc, $I_{DQ} = 650$ mA (continued)

f GHz	S ₁₁		S ₂₁		S ₁₂		S ₂₂	
	S ₁₁	∠ φ	S ₂₁	∠ φ	S ₁₂	∠ φ	S ₂₂	∠ φ
3.35	0.46	-132.64	3.37	28.77	0.06	-19.38	0.59	-167.40
3.40	0.38	-136.44	3.44	16.54	0.06	-32.21	0.64	-172.25
3.45	0.29	-136.21	3.48	3.73	0.06	-45.19	0.68	-177.89
3.50	0.22	-127.35	3.51	-9.59	0.07	-58.78	0.71	175.79
3.55	0.18	-102.40	3.50	-23.47	0.07	-73.20	0.73	168.90
3.60	0.22	-76.34	3.45	-37.84	0.07	-88.01	0.73	161.51
3.65	0.32	-66.79	3.36	-52.56	0.07	-103.17	0.71	153.97
3.70	0.43	-66.93	3.22	-67.50	0.06	-118.63	0.66	146.50
3.75	0.54	-71.16	3.03	-82.42	0.06	-134.11	0.59	139.64
3.80	0.64	-77.27	2.80	-97.34	0.06	-149.56	0.50	133.98
3.85	0.73	-84.04	2.55	-111.69	0.05	-164.55	0.40	130.85
3.90	0.80	-90.75	2.29	-125.67	0.05	-179.15	0.29	133.09
3.95	0.85	-97.18	2.03	-138.92	0.04	166.69	0.20	146.65
4.00	0.90	-103.05	1.79	-151.47	0.04	153.98	0.17	177.35
4.05	0.93	-108.56	1.56	-163.31	0.03	141.83	0.22	-158.21
4.10	0.95	-113.68	1.35	-174.50	0.03	130.44	0.29	-149.29
4.15	0.96	-118.39	1.17	175.04	0.03	119.35	0.38	-147.85
4.20	0.97	-122.39	1.01	165.37	0.02	108.97	0.45	-149.63
4.25	0.98	-126.23	0.87	156.24	0.02	99.25	0.52	-152.98
4.30	0.98	-129.72	0.75	147.79	0.02	90.59	0.58	-157.04
4.35	0.98	-132.86	0.65	139.97	0.02	83.55	0.63	-161.14
4.40	0.99	-135.98	0.57	132.62	0.01	76.85	0.68	-165.09
4.45	0.99	-138.73	0.49	125.76	0.01	69.46	0.72	-168.90
4.50	0.99	-141.42	0.43	119.49	0.01	62.85	0.76	-172.28
4.55	0.99	-144.00	0.37	113.69	0.01	56.84	0.79	-175.36
4.60	0.99	-146.52	0.33	108.35	0.01	51.52	0.82	-178.09
4.65	0.99	-148.89	0.29	103.42	0.01	46.39	0.85	179.48
4.70	0.99	-151.15	0.26	98.73	0.01	42.21	0.87	177.24
4.75	1.00	-153.53	0.24	94.28	0.01	37.59	0.89	175.01
4.80	1.00	-155.94	0.21	89.98	0.01	34.26	0.90	172.99
4.85	1.00	-158.19	0.19	85.78	0.01	30.24	0.91	170.86
4.90	1.00	-160.43	0.18	81.45	0.01	27.16	0.92	168.57
4.95	0.99	-162.40	0.16	78.17	0.01	25.24	0.92	165.89
5.00	1.00	-164.61	0.15	74.76	0.01	22.43	0.93	163.33

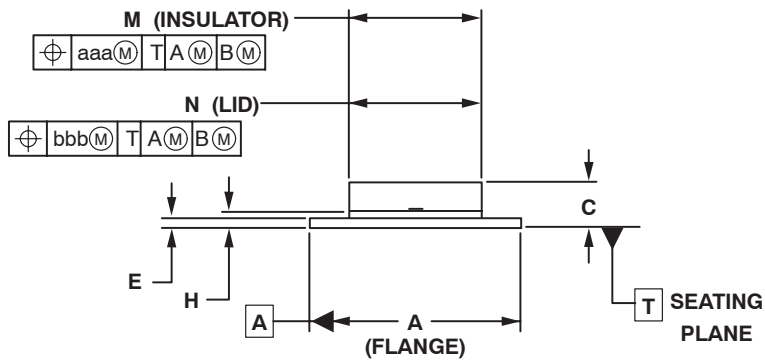
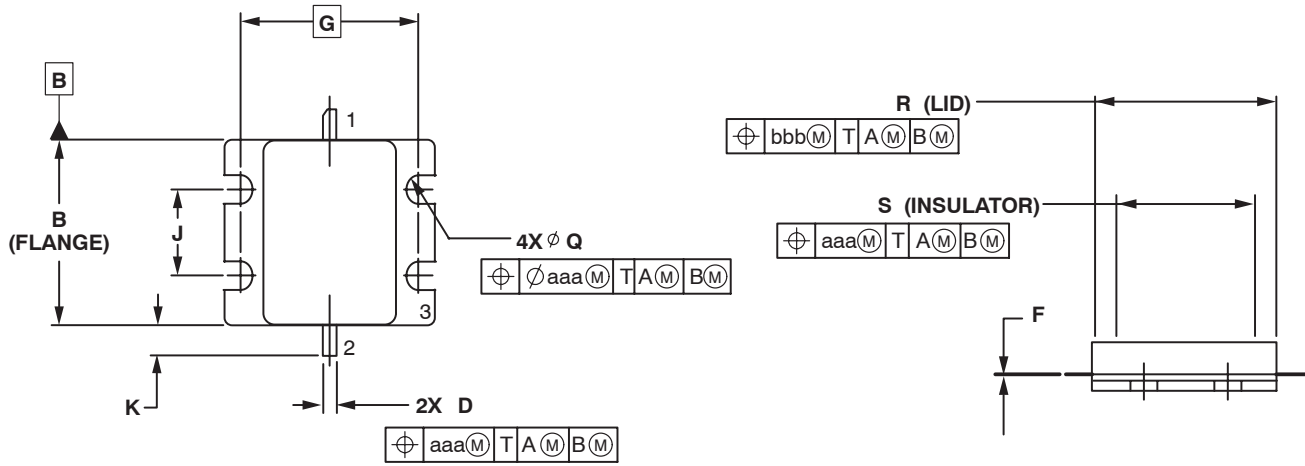


NOTES



NOTES

PACKAGE DIMENSIONS



NOTES:

1. DIMENSIONING AND TOLERANCING PER ANSI Y14.5M, 1994.
2. CONTROLLING DIMENSION: INCH.
3. DIMENSION H IS MEASURED .030 (0.762) AWAY FROM PACKAGE BODY.

DIM	INCHES		MILLIMETERS	
	MIN	MAX	MIN	MAX
A	0.948	0.958	24.08	24.33
B	0.680	0.720	17.27	18.29
C	0.147	0.182	3.73	4.62
D	0.055	0.065	1.40	1.65
E	0.035	0.045	0.89	1.14
F	0.003	0.006	0.08	0.15
G	0.803 BSC		20.40 BSC	
H	0.057	0.067	1.45	1.70
J	0.315 BSC		8.00	
K	0.095	0.125	2.41	3.18
M	0.595	0.605	15.11	15.37
N	0.594	0.606	15.09	15.39
Q	0.092	0.112	2.34	2.84
R	0.678	0.692	17.22	17.58
S	0.680	0.690	17.27	17.23
aaa	0.004		0.10	
bbb	0.015		0.38	

STYLE 1:

- PIN 1. GATE
2. DRAIN
3. SOURCE

**CASE 1490-02
ISSUE A**

How to Reach Us:

Home Page:

www.freescale.com

E-mail:

support@freescale.com

USA/Europe or Locations Not Listed:

Freescale Semiconductor
Technical Information Center, CH370
1300 N. Alma School Road
Chandler, Arizona 85224
+1-800-521-6274 or +1-480-768-2130
support@freescale.com

Europe, Middle East, and Africa:

Freescale Halbleiter Deutschland GmbH
Technical Information Center
Schatzbogen 7
81829 Muenchen, Germany
+44 1296 380 456 (English)
+46 8 52200080 (English)
+49 89 92103 559 (German)
+33 1 69 35 48 48 (French)
support@freescale.com

Japan:

Freescale Semiconductor Japan Ltd.
Headquarters
ARCO Tower 15F
1-8-1, Shimo-Meguro, Meguro-ku,
Tokyo 153-0064
Japan
0120 191014 or +81 3 5437 9125
support.japan@freescale.com

Asia/Pacific:

Freescale Semiconductor Hong Kong Ltd.
Technical Information Center
2 Dai King Street
Tai Po Industrial Estate
Tai Po, N.T., Hong Kong
+800 2666 8080
support.asia@freescale.com

For Literature Requests Only:

Freescale Semiconductor Literature Distribution Center
P.O. Box 5405
Denver, Colorado 80217
1-800-441-2447 or 303-675-2140
Fax: 303-675-2150
LDCForFreescaleSemiconductor@hibbertgroup.com

RoHS-compliant and/or Pb-free versions of Freescale products have the functionality and electrical characteristics of their non-RoHS-compliant and/or non-Pb-free counterparts. For further information, see <http://www.freescale.com> or contact your Freescale sales representative.

For information on Freescale's Environmental Products program, go to <http://www.freescale.com/epp>.

Information in this document is provided solely to enable system and software implementers to use Freescale Semiconductor products. There are no express or implied copyright licenses granted hereunder to design or fabricate any integrated circuits or integrated circuits based on the information in this document.

Freescale Semiconductor reserves the right to make changes without further notice to any products herein. Freescale Semiconductor makes no warranty, representation or guarantee regarding the suitability of its products for any particular purpose, nor does Freescale Semiconductor assume any liability arising out of the application or use of any product or circuit, and specifically disclaims any and all liability, including without limitation consequential or incidental damages. "Typical" parameters that may be provided in Freescale Semiconductor data sheets and/or specifications can and do vary in different applications and actual performance may vary over time. All operating parameters, including "Typicals", must be validated for each customer application by customer's technical experts. Freescale Semiconductor does not convey any license under its patent rights nor the rights of others. Freescale Semiconductor products are not designed, intended, or authorized for use as components in systems intended for surgical implant into the body, or other applications intended to support or sustain life, or for any other application in which the failure of the Freescale Semiconductor product could create a situation where personal injury or death may occur. Should Buyer purchase or use Freescale Semiconductor products for any such unintended or unauthorized application, Buyer shall indemnify and hold Freescale Semiconductor and its officers, employees, subsidiaries, affiliates, and distributors harmless against all claims, costs, damages, and expenses, and reasonable attorney fees arising out of, directly or indirectly, any claim of personal injury or death associated with such unintended or unauthorized use, even if such claim alleges that Freescale Semiconductor was negligent regarding the design or manufacture of the part.

Freescale™ and the Freescale logo are trademarks of Freescale Semiconductor, Inc. All other product or service names are the property of their respective owners.
© Freescale Semiconductor, Inc. 2005. All rights reserved.

