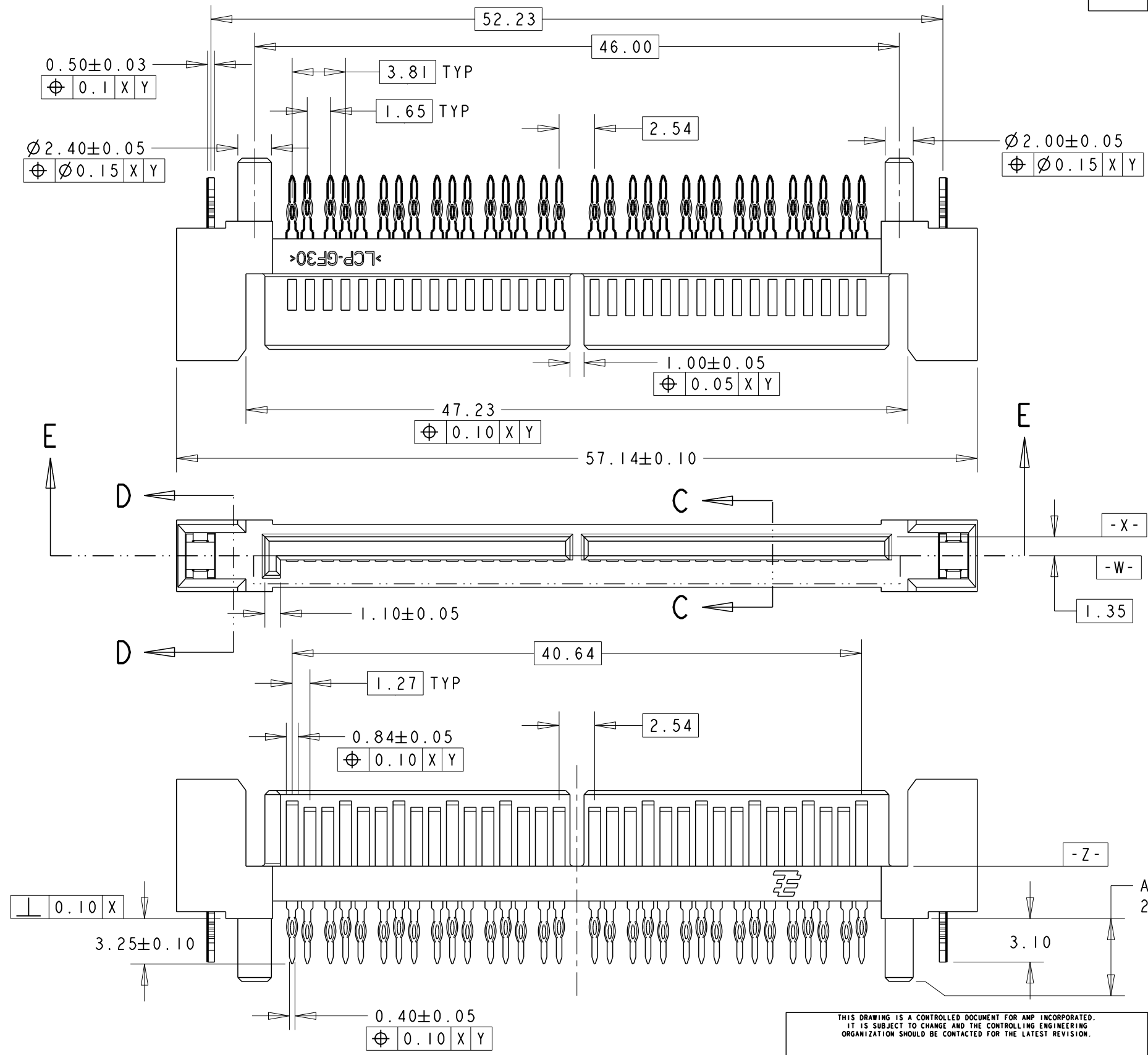


THIS DRAWING IS UNPUBLISHED. RELEASED FOR PUBLICATION .19 .
 © COPYRIGHT 19 BY AMP INCORPORATED. ALL RIGHTS RESERVED.

LOC DY
 DIST -

REVISIONS					
P	LTR	DESCRIPTION	DATE	DWN	APVD
D		REVISED ECR-10-017381	20AUG10	JC	TAP



NOTES:

- 1 MATERIAL
 HOUSING: HIGH TEMPERATURE THERMOPLASTIC GLASS FILLED, BLACK, UL94V-0, REGRIND 25% MAXIMUM
 CONTACT: COPPER ALLOY
 BOARDLOCK: COPPER ALLOY
- 2 FINISH
 CONTACT: 0.76µm MIN GOLD ON MATING AREA AND 1.91µm MIN TIN ON SOLDER AREA, BOTH OVER 1.27µm MIN NICKEL
 BOARDLOCK: 2.54µm MIN TIN OVER 1.27µm MIN NICKEL

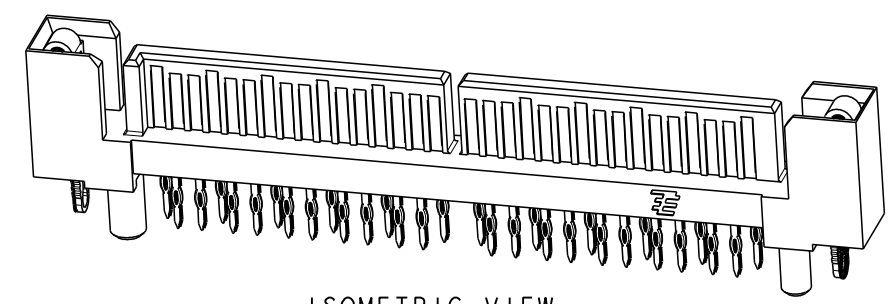
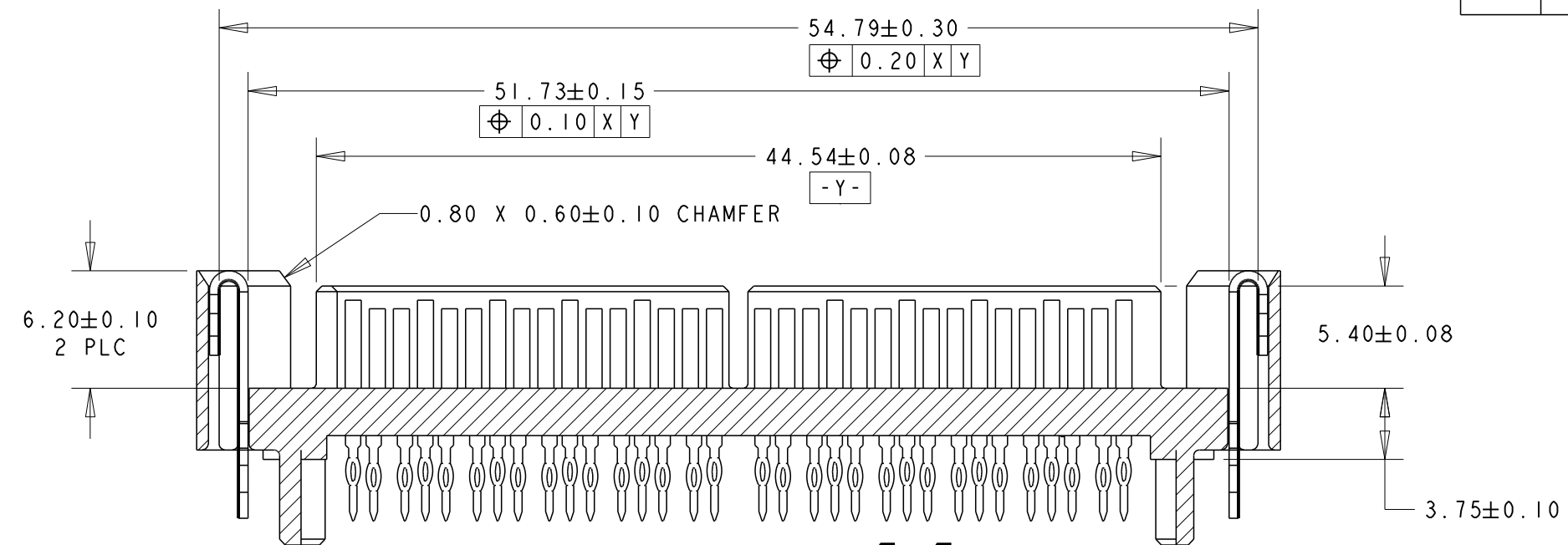


3.60	84979-2
4.50	84979-1
DIMENSION A	PART NO.

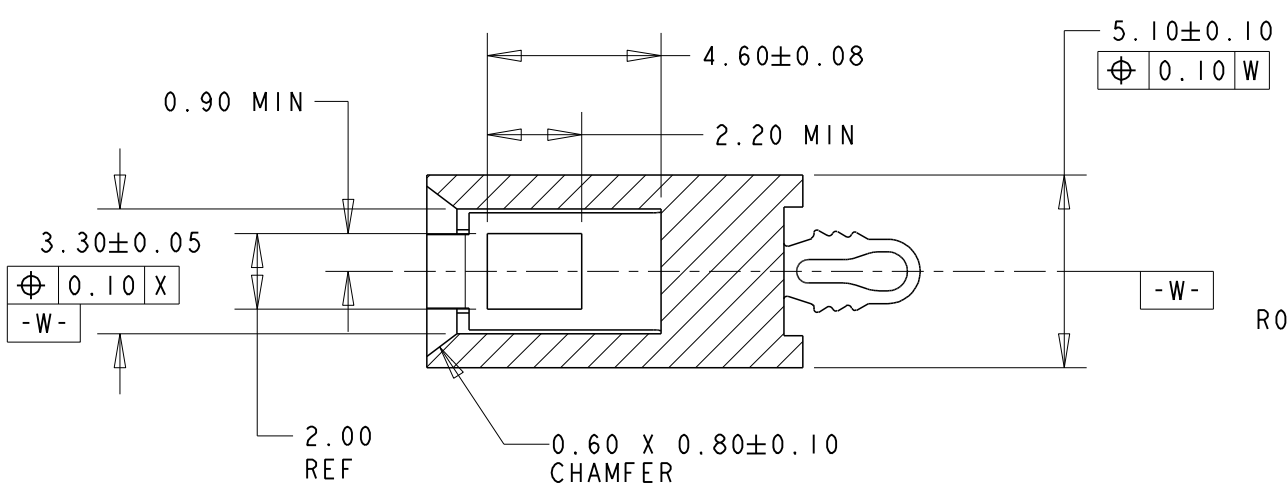
THIS DRAWING IS A CONTROLLED DOCUMENT FOR AMP INCORPORATED. IT IS SUBJECT TO CHANGE AND THE CONTROLLING ENGINEERING ORGANIZATION SHOULD BE CONTACTED FOR THE LATEST REVISION.		DWN WYLEE 60CT04	Tyco Electronics Singapore Pte. Ltd.	
DIMENSIONS: mm	TOLERANCES UNLESS OTHERWISE SPECIFIED:	CHK AP TAY	NAME CONNECTOR, SAS 4i AND INTERNAL 4 LANE SATA PLUG, VERTICAL PRESSFIT	
	0 PLC ±- 1 PLC ±0.15 2 PLC ±0.15 3 PLC ±0.15 4 PLC ±- ANGLES ±2°	APVD SE LEONG	SIZE A3	CAGE CODE 00779
MATERIAL 1	FINISH 2	PRODUCT SPEC -	DRAWING NO C-84979	SCALE 3:1
		APPLICATION SPEC -	SHEET 1 OF 2	
		WEIGHT -	REV D	
		CUSTOMER DRAWING		

THIS DRAWING IS UNPUBLISHED.
 RELEASED FOR PUBLICATION .19
 BY AMP INCORPORATED. ALL RIGHTS RESERVED.

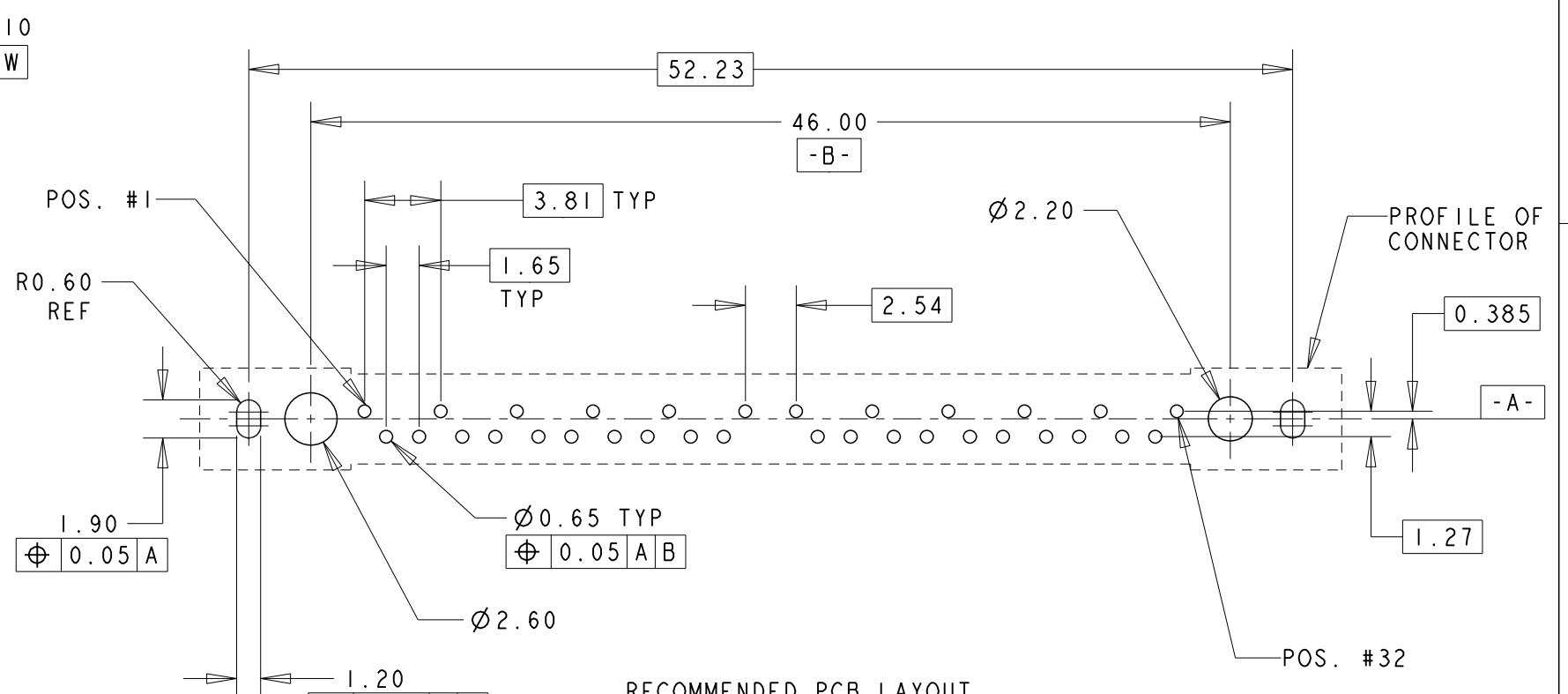
LOC	DIST	REVISIONS					
DY	-	P	LTR	DESCRIPTION	DATE	DWN	APVD
				SEE SHEET 1			



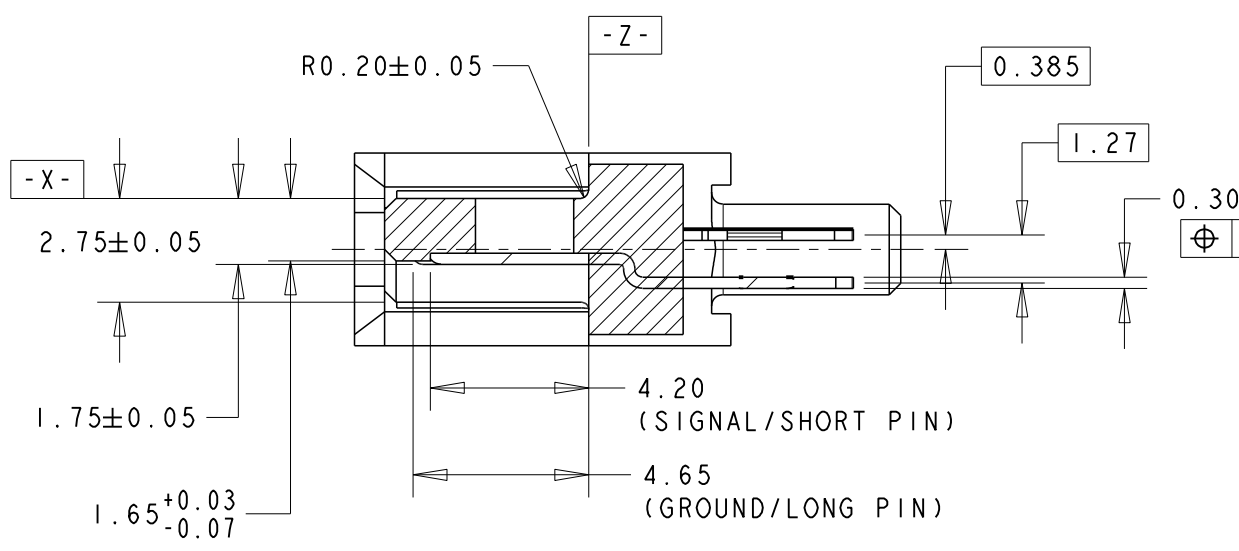
ISOMETRIC VIEW
SCALE 2:1



SECTION D-D
SCALE 5:1



RECOMMENDED PCB LAYOUT
(ALL TOLERANCE ARE ±0.05)
SCALE 3:1



SECTION C-C
SCALE 5:1

THIS DRAWING IS A CONTROLLED DOCUMENT FOR AMP INCORPORATED. IT IS SUBJECT TO CHANGE AND THE CONTROLLING ENGINEERING ORGANIZATION SHOULD BE CONTACTED FOR THE LATEST REVISION.		DWN WYLEE	60CT04	Tyco Electronics Singapore Pte. Ltd.	
DIMENSIONS: mm		CHK AP TAY	APVD SE LEONG	NAME CONNECTOR, SAS 4i AND INTERNAL 4 LANE SATA PLUG, VERTICAL PRESSFIT	
TOLERANCES UNLESS OTHERWISE SPECIFIED: 0 PLC ± 1 PLC ±0.15 2 PLC ±0.15 3 PLC ±0.15 4 PLC ± ANGLES ±2°		PRODUCT SPEC -		APPLICATION SPEC -	
MATERIAL 1		FINISH 2		WEIGHT -	SIZE A3
		CUSTOMER DRAWING		CAGE CODE 00779	DRAWING NO C-84979
				SCALE 3:1	SHEET 2 OF 2 REV D