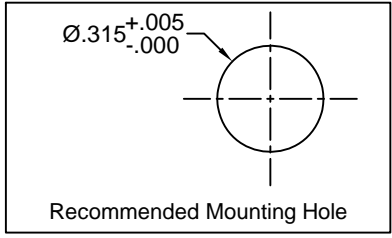
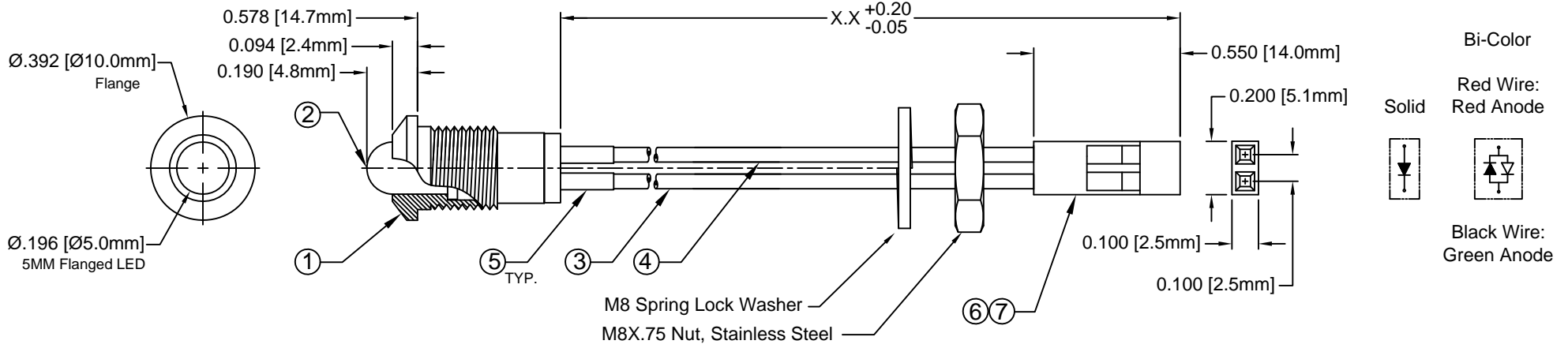


ITEM	Q'TY	PART NUMBER	PART DESCRIPTION
1	1	MPC5	Chrome Panel Mount Holder, 5mm
2	1	5XX-F	T-1 3/4 (5mm) Flanged LED, P.2. Note P/N Designation
3	1	BWS24-1007-BK	24AWG Wire Lead U.L. 1007, Black
4	1	BWS24-1007-RD	24AWG Wire Lead U.L. 1007, Red
5	2	BST200-BK	Shrink Tubing, Black, 0.5" Cut Length
6	1	2665S020000	Leoco 2665 Series 2.54 (.100") Crimp Type Socket, 1x
7	2	2653TPB0001	Leoco Terminal# 2653TPB0001 (Reel), 2653TPB00A1 (Bulk)

REV.	DESCRIPTION	DATE	APPROVED
A	Engineering Release	02/06/09	T. Y.
B	Engineering Update w/o Changes	08/14/16	J. C.



P/N Designation:  
**MPC5GD5VW6.5 -CC**  
 Connector  
 Wire Length "X.X", inches  
 - " " Standard LED  
 - "5V" 5V LED  
 - "L" Low Current LED  
 LED Color & Lens Appearance  
 Series

Note: Mounting Hardware included, packed separately



## ABSOLUTE MAXIMUM RATINGS (Ta = 25°C)

- REVERSE VOLTAGE \_\_\_\_\_ 5V
- REVERSE CURRENT ( VR=5V) \_\_\_\_\_ 100µA
- OPERATING TEMPERATURE RANGE \_\_\_\_\_ -25°C ~ 85°C
- STORAGE TEMPERATURE \_\_\_\_\_ -30°C ~ 100°C
- LEAD SOLDERING TEMPERATURE (1/16" FROM BODY) \_\_\_\_\_ 260°C for 5 Seconds

STANDARD TOLERANCE ( UNLESS OTHERWISE SPECIFIED )		BIVAR®	
DECIMALS	ANGULAR	4 THOMAS, IRVINE, CA. 92618 TEL: (949) 951-8808 FAX: (949) 951-3974	
.X ± .1	X° ± 1°	<b>TITLE:</b> CHROME PANEL MOUNT ASSY <b>PART NO:</b> MPC5XXWX.X-CC <b>REVISION:</b> B	
.XX ± .02			
.XXX ± .010			
DESIGNED: <b>R. Paje</b>	DATE: <b>02/06/09</b>	<b>CAGE CODE :</b> 32559	<b>SHEET #</b> 1 OF 2
CHECKED: <b>F. Jensen</b>	DATE: <b>02/06/09</b>	CAD GENERATED DOCUMENT. DO NOT MEASURE DRAWING.	

REV.	DESCRIPTION	DATE	APPROVED
	SEE SHEET #1		

Assy P/N	Peak Wave Length $\lambda_p$ (nm)	Emitted Color	Lens Appearance	Electro-Optical Data @ 20mA				Viewing Angle $2\theta \frac{1}{2}$ (Deg)	LED P/N
				If (mA)	Vf (V)		Iv (mcd)		
					MAX	TYP			
MPC5BWCWX.X-CC	430	BLUE	WATER CLEAR	25	4.0	4.5	50	20	5BWC-F
MPC5BWDWX.X-CC	430	BLUE	DIFFUSED	25	4.0	4.5	20	45	5BWD-F
MPC5BWTWX.X-CC	430	BLUE	TINTED	25	4.0	4.5	50	20	5BWT-F
MPC5GCWX.X-CC	565	GREEN	WATER CLEAR	30	2.2	2.6	150	20	5GC-F
MPC5GDWX.X-CC	565	GREEN	DIFFUSED	30	2.2	2.6	70	45	5GD-F
MPC5GTWX.X-CC	565	GREEN	TINTED	30	2.2	2.6	150	20	5GT-F
MPC5YCWX.X-CC	585	YELLOW	WATER CLEAR	30	2.1	2.6	140	20	5YC-F
MPC5YDWX.X-CC	585	YELLOW	DIFFUSED	30	2.1	2.6	70	45	5YD-F
MPC5YTWX.X-CC	585	YELLOW	TINTED	30	2.1	2.6	140	20	5YT-F
MPC5ACWX.X-CC	610	AMBER	WATER CLEAR	30	2.2	2.6	70	20	5AC-F
MPC5ADWX.X-CC	610	AMBER	DIFFUSED	30	2.2	2.6	45	45	5AD-F
MPC5ATWX.X-CC	610	AMBER	TINTED	30	2.2	2.6	70	20	5AT-F
MPC5HCWX.X-CC	635	HE RED	WATER CLEAR	30	2.0	2.6	150	20	5HC-F
MPC5HDWX.X-CC	635	HE RED	DIFFUSED	30	2.0	2.6	80	45	5HD-F
MPC5HTWX.X-CC	635	HE RED	TINTED	30	2.0	2.6	150	20	5HT-F
MPC5RCWX.X-CC	655	RED	WATER CLEAR	40	1.7	2.0	15	20	5RC-F
MPC5RDWX.X-CC	655	RED	DIFFUSED	40	1.7	2.0	5	45	5RD-F
MPC5RTWX.X-CC	655	RED	TINTED	40	1.7	2.0	15	20	5RT-F
MPC5SRCWX.X-CC	660	SUPER RED	WATER CLEAR	20	1.7	2.6	350	20	5SRC-F
MPC5SRDWX.X-CC	660	SUPER RED	DIFFUSED	20	1.7	2.6	90	45	5SRD-F
MPC5SRTWX.X-CC	660	SUPER RED	TINTED	20	1.7	2.6	350	20	5SRT-F
MPC5BCWX.X-CC	635	HE RED	WHITE DIFFUSED	45	2.0	2.6	45	50	5BC-F
	568	GREEN		30	2.2	2.6	45		
<b>5 VOLT</b>				<b>Data @ 5V</b>					
MPC5GD5VWX.X-CC	568	GREEN	DIFFUSED	8	-	5	25	40	5GD5V-F
MPC5YD5VWX.X-CC	590	YELLOW	DIFFUSED	8	-	5	25	40	5YD5V-F
MPC5HD5VWX.X-CC	625	HE RED	DIFFUSED	8	-	5	30	40	5HD5V-F

STANDARD TOLERANCE (UNLESS OTHERWISE SPECIFIED) DECIMALS                      ANGULAR		 <b>BIVAR</b> <sup>®</sup> 4 THOMAS, IRVINE, CA. 92618 TEL.: (949) 951-8808    FAX: (949) 951-3974	
			
DESIGNED: <b>R. Paje</b>	DATE: <b>02/06/09</b>	<b>PART NO:</b> MPC5XXWX.X-CC	REVISION: <b>B</b>
CHECKED: <b>F. Jensen</b>	DATE: <b>02/06/09</b>	<b>CAGE CODE : 32559</b>	<b>SHEET # 2 OF 2</b>
CAD GENERATED DOCUMENT. DO NOT MEASURE DRAWING.			