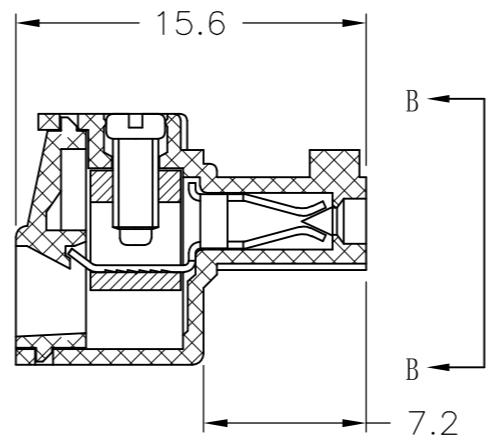
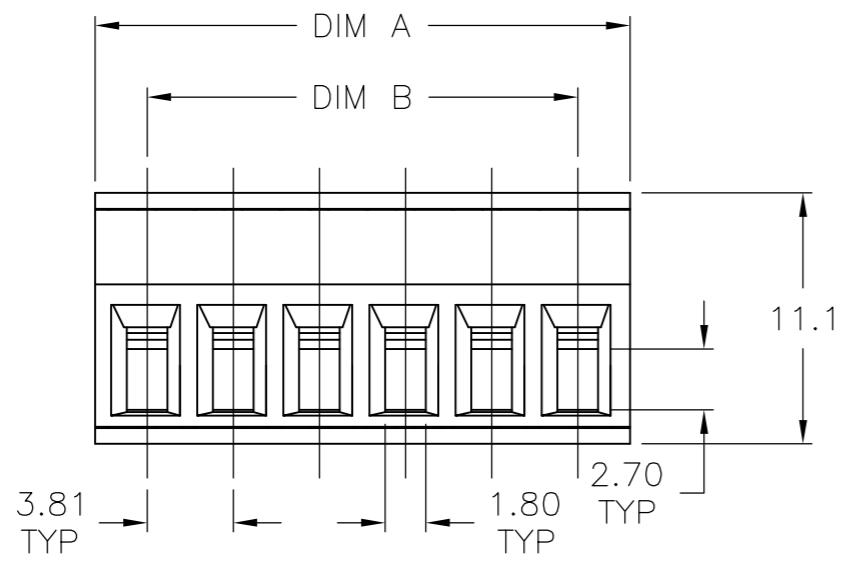


THIS DRAWING IS UNPUBLISHED. RELEASED FOR PUBLICATION
 © COPYRIGHT BY TYCO ELECTRONICS CORPORATION. ALL RIGHTS RESERVED.

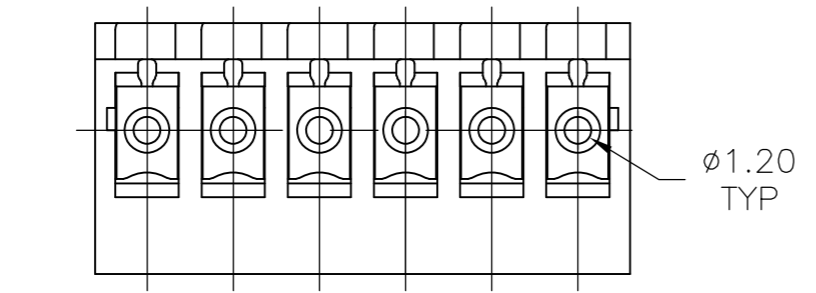
LOC	DIST	REVISIONS					
FT	0	P	LTR	DESCRIPTION	DATE	DWN	APVD
		A1		REVISED PER ECO-08-014051	09JUN08	HMR	CR



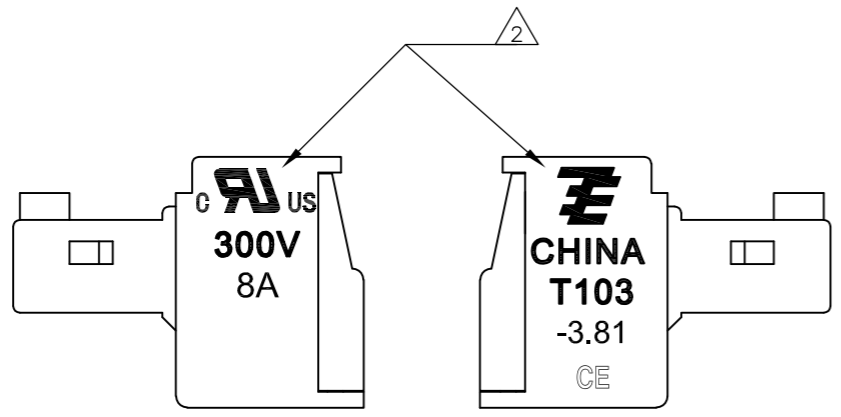
MATERIALS:
 HOUSING: PA66, UL94V-0, GREEN
 CAGE: BRASS, NICKEL PLATED
 CLAMP: PHOS BRONZE, NICKEL PLATED
 SCREW: STEEL, ZINC PLATED

ELECTRICAL:
 CURRENT RATING: 8A
 VOLTAGE RATING: 300V
 INSULATION RESISTANCE: 5000Mohm/DC1000V
 WITHSTANDING VOLTAGE: AC2000V/1 MIN
 WIRE RANGE: 16-28 AWG

MECHANICAL:
 MAXIMUM SCREW TORQUE: 2.04 kgf.cm
 OPERATING TEMP.: -40°C TO 105°C



VIEW B



- 1 PRELIMINARY PART NO.
- 2 LOGOS TO BE SHOWN APPROXIMATELY AS SHOWN

1	72.39±0.30	76.99±0.30	20	2-1776948-0
	45.72±0.30	50.32±0.30	13	1-1776948-3
1	41.91±0.30	46.51±0.30	12	1-1776948-2
1	34.29±0.30	38.89±0.30	10	1-1776948-0
1	26.67±0.30	31.27±0.30	8	1776948-8
1	19.05±0.25	23.65±0.20	6	1776948-6
1	15.24±0.25	19.84±0.20	5	1776948-5
1	11.43±0.25	16.03±0.20	4	1776948-4
1	7.62±0.15	12.22±0.20	3	1776948-3
1	3.81±0.10	8.41±0.20	2	1776948-2
	DIM B	DIM A	NO OF POS	PART NUMBER

THIS DRAWING IS A CONTROLLED DOCUMENT.		DWN S SCHLEGEL 30MAR2007	Tyco Electronics Corporation Harrisburg, PA 17105-3608	
DIMENSIONS: mm		CHK C RICHARD 3/30/07		
TOLERANCES UNLESS OTHERWISE SPECIFIED:		APVD C RICHARD 3/30/07	NAME	
0 PLC ± - 1 PLC ± 0.2 2 PLC ± 0.10 3 PLC ± - 4 PLC ± - ANGLES ± 1°		PRODUCT SPEC	TERMINAL BLOCK, R/A PLUG, 3.81mm	
MATERIAL		APPLICATION SPEC	SIZE	RESTRICTED TO
FINISH		WEIGHT	A3	
		CUSTOMER DRAWING	CAGE CODE	REV
			00779	A1
			DRAWING NO	SHEET
			C-1776948	1 OF 1
			SCALE	REV
			NTS	A1