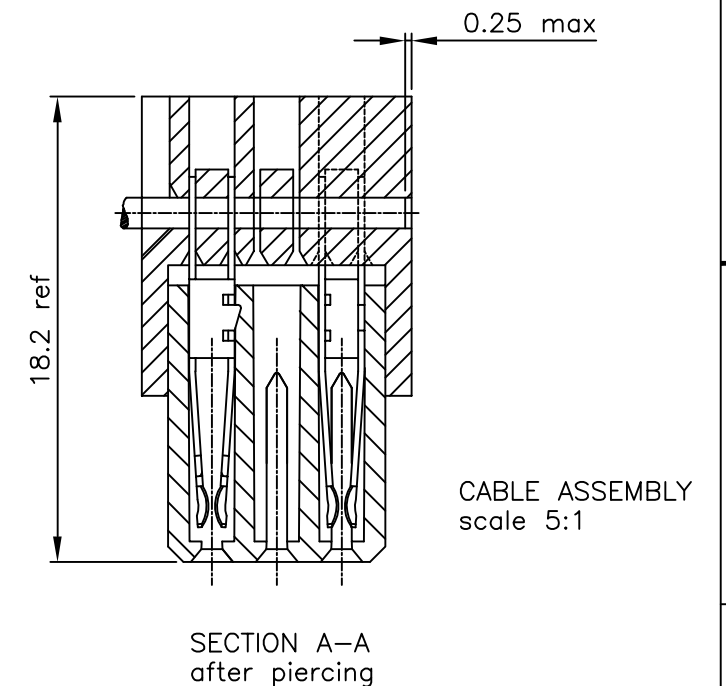
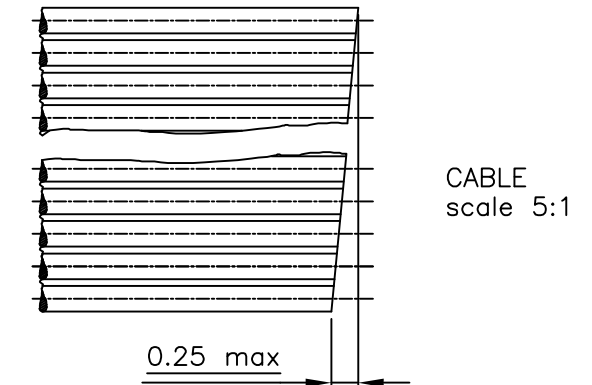
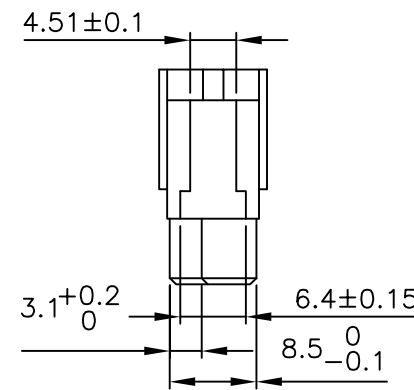
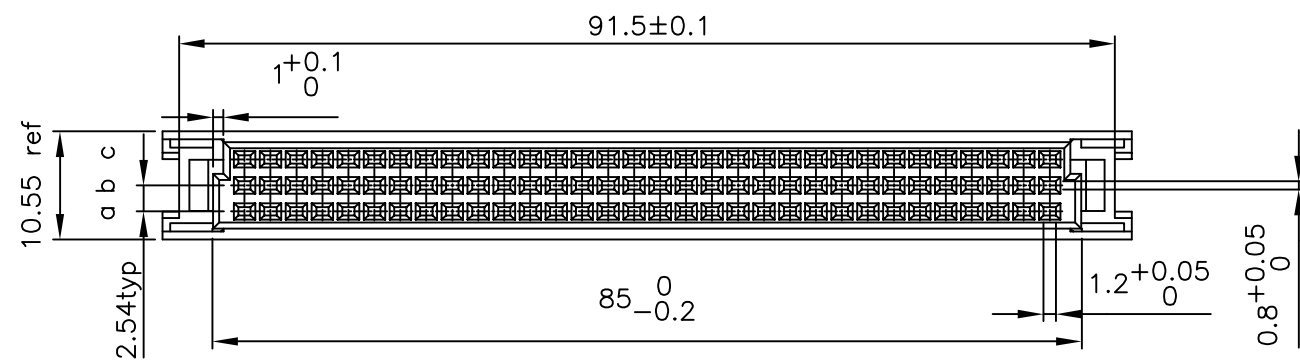
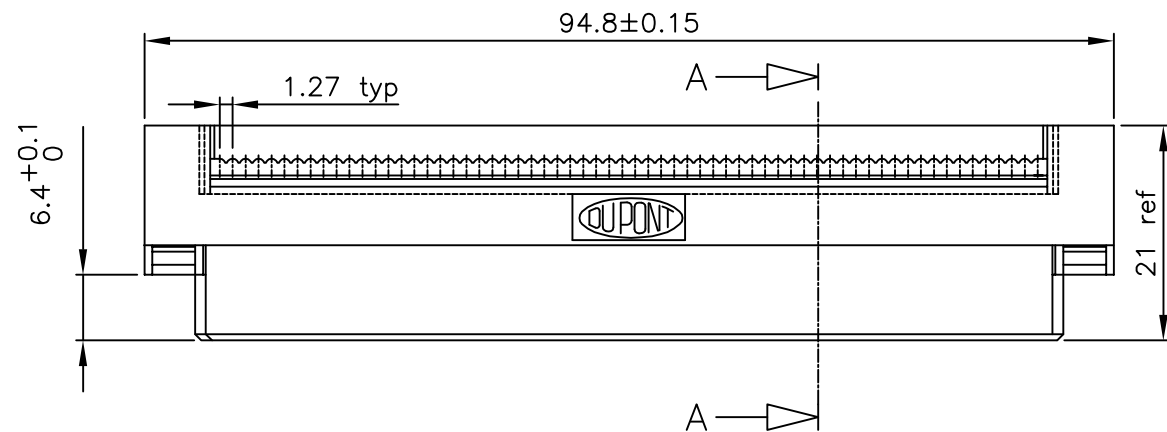


PRODUCT NUMBER	ROW	1	2	3	4	5	6	7	8	9	10	11	12	13	14	15	16	17	18	19	20	21	22	23	24	25	26	27	28	29	30	31	32		
75859-X01	a	X	X	X	X	X	X	X	X	X	X	X	X	X	X	X	X	X	X	X	X	X	X	X	X	X	X	X	X	X	X	X	X	X	X
	b	X	X	X	X	X	X	X	X	X	X	X	X	X	X	X	X	X	X	X	X	X	X	X	X	X	X	X	X	X	X	X	X	X	X
	c	X	X	X	X	X	X	X	X	X	X	X	X	X	X	X	X	X	X	X	X	X	X	X	X	X	X	X	X	X	X	X	X	X	X
75859-X02	a	X	X	X	X	X	X	X	X	X	X	X	X	X	X	X	X	X	X	X	X	X	X	X	X	X	X	X	X	X	X	X	X	X	
	b	X	X	X	X	X	X	X	X	X	X	X	X	X	X	X	X	X	X	X	X	X	X	X	X	X	X	X	X	X	X	X	X	X	
	c	X	X	X	X	X	X	X	X	X	X	X	X	X	X	X	X	X	X	X	X	X	X	X	X	X	X	X	X	X	X	X	X	X	X



- NOTES:
- 1.MATERIAL HOUSING: THERMOPLASTIC POLYESTER 30% GLASS FILLED, FLAME RETARDANT PER UL-94-V0
COLOUR HOUSING: GREY, COLOUR COVER: BLACK
 - 2.MATERIAL CONTACT: PHOSPHOR BRONZE
 - 3.CAN BE MATED WITH 3 ROW MALE CONNECTOR CONFORM DIN 41612 - FORM C
 - 4.CAN BE USED WITH STRAINRELIEF P/N 65142-001
 - 5."LF" SUFFIX TO THE PRODUCT NUMBER FOR LEAD FREE OR RoHS COMPATIBLE PRODUCTS.

NOTE:-

1. THE "LF" PRODUCTS MEET EUROPEAN UNION DIRECTIVES AND OTHER COUNTRY REGULATIONS AS DESCRIBED IN GS-22-008.
2. LEAD FREE OR RoHS DIRECTIVE LABELLING TO BE PROVIDED AS PER GS-14-920 FOR LEAD FREE VERSION.

75859-4YY	2.0 umAumin over 3 umNi	0.1-0.2 umNi
75859-2YY	0.5 umAumin over 3 umNi	0.1-0.2 umNi
75859-1YY	1.0 umAumin over 3 umNi	0.1-0.2 umNi
75859-0YY	3.0 umAumin over 3 umNi	0.1-0.2 umNi
PLATING CODE X	contact area	piercing area
	PLATING	

mat'l. code	see table	surface	tolerance	projection	product family
ltr	ecn no	dr	date	ISO 1302	ISO 406
K	H00085	MVI	1990-02-23	ISO 1101	BACKPANEL
L	H20166	MVI	1992-03-31	angles	linear
M	05-0138	MINI	2005-08-08	linear	linear
N	06-0082	MINI	2006-06-01	dr	M. Visschers
				enr	1992-03-31
				chr	RAKHEE GEORGE
				app	RAKHEE GEORGE
sheet index	revision sheet	N	1		

title
QUICKIE FEMALE
64 Pos P.L. ASSEMBLY

dwg no
75859

sheet 1 of 1 size
A2

type
CUSTOMER Drawing