


T distributor - SAC-M12T/2XM12 PBDP - 1458884

Please be informed that the data shown in this PDF Document is generated from our Online Catalog. Please find the complete data in the user's documentation. Our General Terms of Use for Downloads are valid (<http://phoenixcontact.com/download>)

T distributor, PROFIBUS DP (12 Mbps), 4-position, shielded, Plug straight M12, B-coded, on Plug straight M12, B-coded and Socket straight M12, B-coded



Key Commercial Data

Packing unit	1 STK
GTIN	 4 046356 660075
GTIN	4046356660075

Technical data

Ambient conditions

Ambient temperature (operation)	-25 °C ... 80 °C (Plug / socket)
Degree of protection	IP65
	IP67

General

Rated current at 40°C	1 A (Contact 2 and 4)
	4 A (Contact 1 and 3)
Rated voltage	30 V AC
	36 V DC
Number of positions	4
Insulation resistance	≥ 1 GΩ
Coding	B-coded
Standards/regulations	M12 connector IEC 61076-2-101
Signal type/category	PROFIBUS DP, 12 Mbps
Status display	No
Overvoltage category	II
Degree of pollution	3
Test voltage	1 kV

T distributor - SAC-M12T/2XM12 PBDP - 1458884

Technical data

General

Insertion/withdrawal cycles	≥ 100
Torque	0.4 Nm (M12 connector)
	0.6 Nm ... 0.8 Nm (Mounting screw)

Material

Flammability rating according to UL 94	V0
Contact material	CuSn
Contact surface material	Ni/Au
Contact carrier material	PUR
Material of grip body	PUR
Material, knurls	Nickel-plated brass
Sealing material	Viton

Standards and Regulations

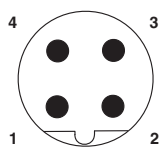
Standard designation	M12 connector
Standards/regulations	IEC 61076-2-101
Flammability rating according to UL 94	V0

Environmental Product Compliance

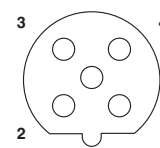
REACH SVHC	Lead 7439-92-1
China RoHS	Environmentally Friendly Use Period = 50
	For details about hazardous substances go to tab "Downloads", Category "Manufacturer's declaration"

Drawings

Schematic diagram



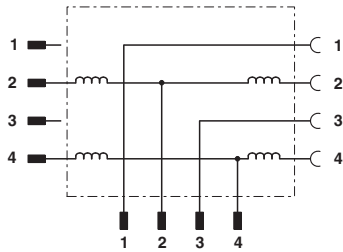
Schematic diagram



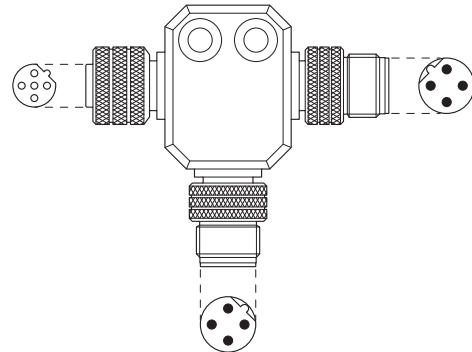
Pin assignment of M12 male connector, 4-pos., B-coded, view of pin side Pin assignment M12 socket, 4-pos., B-coded, view socket side

T distributor - SAC-M12T/2XM12 PBDP - 1458884

Circuit diagram



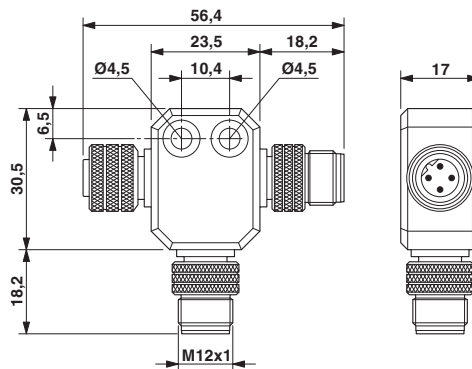
Schematic diagram



Contact assignment of the M12 plug and the M12 socket

Layout of connector pin assignments

Dimensional drawing



M12 T distributor

Approvals

Approvals

Approvals

EAC / EAC

Ex Approvals

Approval details

EAC



RU C-
DE.AI30.B.01102

T distributor - SAC-M12T/2XM12 PBDP - 1458884

Approvals

EAC



EAC-Zulassung

Phoenix Contact 2018 © - all rights reserved
<http://www.phoenixcontact.com>

PHOENIX CONTACT GmbH & Co. KG
Flachsmarktstr. 8
32825 Blomberg
Germany
Tel. +49 5235 300
Fax +49 5235 3 41200
<http://www.phoenixcontact.com>