

|     |      |           |     |                     |      |     |      |
|-----|------|-----------|-----|---------------------|------|-----|------|
| LOC | DIST | REVISIONS |     |                     |      |     |      |
| A   | 66   | P         | LTR | DESCRIPTION         | DATE | DWN | APVD |
|     |      |           | A1  | SEE PRODUCT DRAWING | -    | -   | -    |


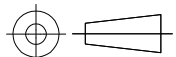
SEE PRODUCTION DRAWING  
1528851

THIS DRAWING IS UNPUBLISHED.

ALL INTERNATIONAL RIGHTS RESERVED.

BY TYCO ELECTRONICS CORPORATION.

© COPYRIGHT

|   |                  |           |           |   |           |            |               |
|---|------------------|-----------|-----------|---|-----------|------------|---------------|
| DIMENSIONS:<br>INCHES   | DWN              | M.YOUNGER | 14JAN2010 | MATERIAL  | -         | FINISH     | -             |
|   | CHK              | -         | -         |  Tyco Electronics Corporation<br>Harrisburg, PA 17105-3608 |           |            |               |
| TOLERANCES UNLESS OTHERWISE SPECIFIED:  | APVD             | -         | -         |   |           |            |               |
| 0 PLC ± -   | PRODUCT SPEC     | -         | -         | SIZE  | CAGE CODE | DRAWING NO | RESTRICTED TO |
| 1 PLC ± -   | APPLICATION SPEC | -         | -         | A4  | 00779     | C-1528851  | -             |
| 2 PLC ± -   | WEIGHT           | -         | -         | CUSTOMER DRAWING  |           |            | SCALE         |
| 3 PLC ± -   |                  |           |           |   |           |            | 1:1           |
| 4 PLC ± -   |                  |           |           |   |           |            | SHEET         |
| ANGLES ± -  |                  |           |           |   |           |            | 1 OF 1        |
|  |                  |           |           |   |           |            | REV           |
|   |                  |           |           |   |           |            | A1            |