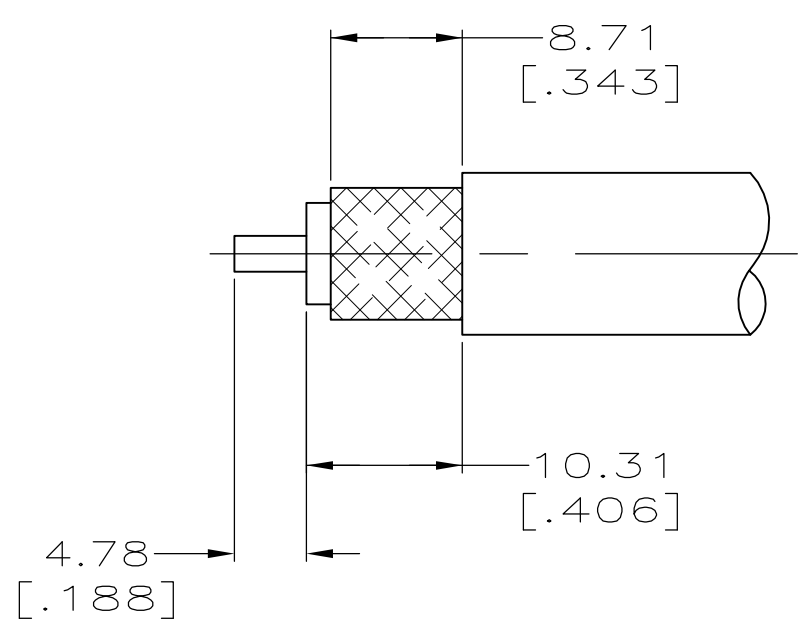


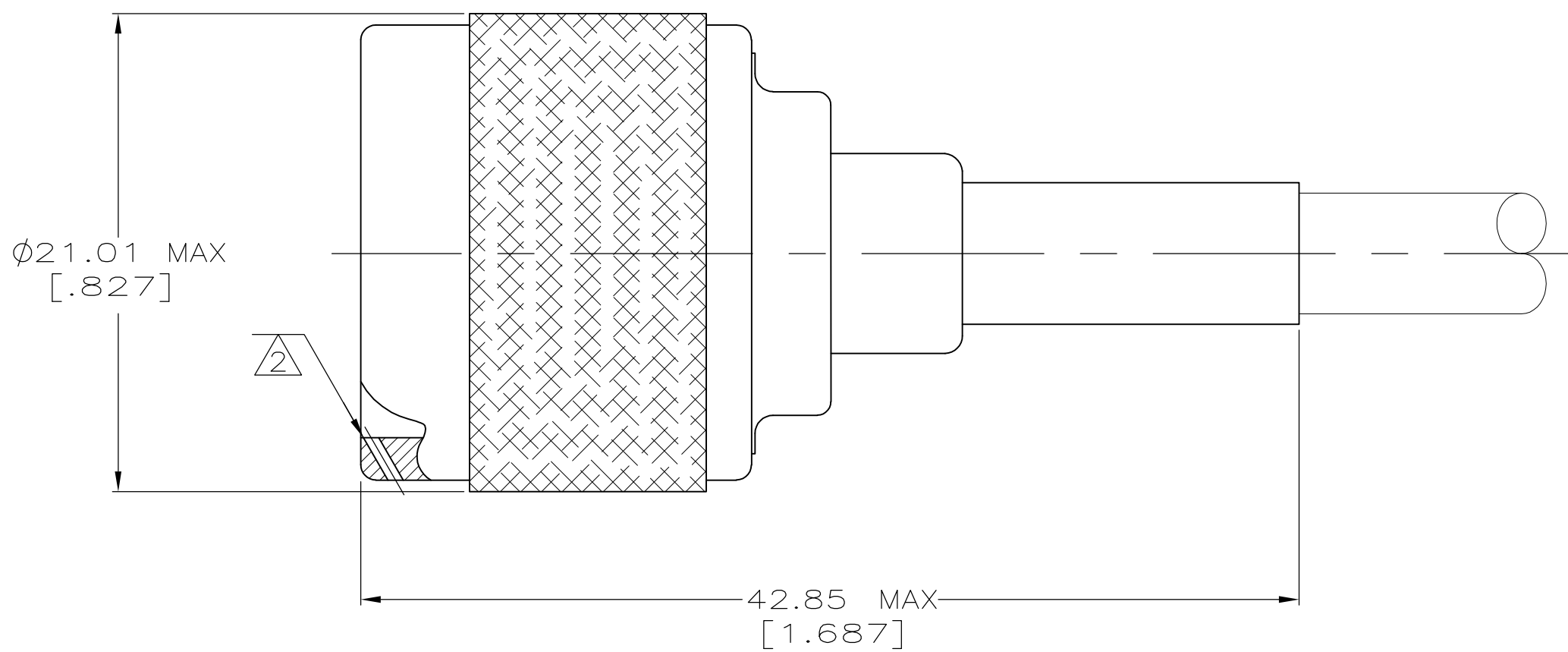
THIS DRAWING IS UNPUBLISHED. RELEASED FOR PUBLICATION
 © COPYRIGHT BY TYCO ELECTRONICS CORPORATION. ALL RIGHTS RESERVED.

LOC	DIST	REVISIONS					
		P	LTR	DESCRIPTION	DATE	DWN	APVD
AJ	16		A	REV PER ECO 06-002539	06APR06	GB	JH
			A1	REVISED PER ECO-09-024606	31OCT09	KK	AEG

1. PARTS PACKAGED UNASSEMBLED.
2. THREE SAFETY WIRE HOLES $\phi 0.61$ [.024] MIN, EQUALLY SPACED AROUND CIRCUMFERENCE.
3. CRIMP TOOL: 220045-2
4. SEE INSTRUCTION SHEET 408-2028-1
5. OBSOLETE PARTS: OBSOLETE CIS STREAMLINING PER D.RENAUD/D.SINISI



RECOMMENDED STRIP LENGTH
(SCALE 2:1)



5 OBSOLETE	RG-142/U,142A/U & 142B/U	9-225382-1	225343-4	9-225342-0	5225361-4
	RG-55A/U & 223/U	9-225382-1	225343-2	9-225342-0	5225361-2
	RG-58A/U & 58C/U	9-225381-1	225343-2	9-225342-0	5225361-1
	CABLE SIZE	3 FERRULE QTY=1	2 CONTACT QTY=1	1 PLUG ASSY QTY=1	PART NUMBER

THIS DRAWING IS A CONTROLLED DOCUMENT.

DWN	J. ALCORTA - DOCK5	22APR2005	Tyco Electronics Corporation Harrisburg, PA 17105-3608
CHK	J. HAVENER	22APR2005	
APVD	G. MICHAEL	22APR2005	
NAME	-		
DIMENSIONS: mm [INCHES] TOLERANCES UNLESS OTHERWISE SPECIFIED: 0 PLC ± - 1 PLC ± - 2 PLC ± 0.41 [.016] 3 PLC ± - 4 PLC ± - ANGLES ± - MATERIAL - FINISH -			PRODUCT SPEC - APPLICATION SPEC - WEIGHT 1.2 OZ MAX CUSTOMER DRAWING
SIZE CAGE CODE DRAWING NO RESTRICTED TO A2 00779 C=5225361 -			SCALE 4:1 SHEET 1 of 1 REV A1

5225361