

LAYOUT SHOWN AS EXAMPLE

Keying Shown as example

CHARACTERISTICS

- Standard : Based on MIL-DTL-38999 Series III
- Shell Material : Stainless Steel
- Shell Plating : Passivated
- Insulator : Thermoplastic
- Contacts : Copper Alloy
- Seals & Grommet : Silicon Elastomer
- Contact Plating : Gold over copper Alloy 0.8µm minimum
- Durability : 500 Mating cycles
- Delivered with Souriau contacts and Accessories
- Temperature Range : -65°C to +200°C
- Salt Spray : 500 hours

Connector dimension	
Dim	Nominal
A	38.1±0.3
B	23.82+0.1/-0.15
R	32.5Max
S	34.9±0.4
W	2.2+0.9/-0.1
VV THREAD	M18x1-6g

SOURIAU shall not be liable for any non-conformity or damage due to a use of the Products which does not comply with the Specifications issued by either of the Parties or by a third party (professional recommendation, technical notice.)

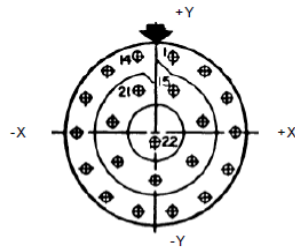
Country	Jurisdiction & Control List
FR	Not Listed

PN: 8D713K35BN

A	28-09-2016	First Release	
ISS	DATE	Latest modification - by	MOD N°
Designed By:		Date:	CUSTOMER DRAWING
TITLE	Stainless Steel Receptacle 8D series		
SCALE		General linear Tolerances: ±--	NPRDS / PROJECT 859
NA	SOURIAU WWW.SOURIAU.COM		This document is the property of SOURIAU it must not be reproduced or communicated without permission
FORMAT	A3		SHEET
		SOURIAU DRG N° 8D713K35BN-C	1/2

BASIC SERIES:	8D	7	-	13	K	35	B	N	ORIENTATION : N
SHELL TYPE :	Jam nut Receptacle								CONTACT TYPE : SOCKET(500 Matings)
CONTACT TYPE :	Standard Crimp Contact								CONTACT LAYOUT : 13-35
SHELL SIZE :	13								
PLATING :	K = Passivated								

Contact Layout



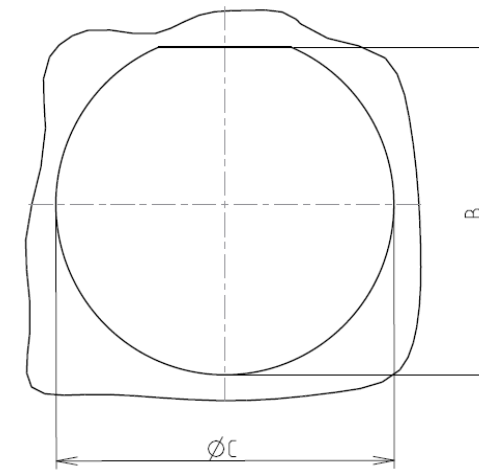
Contacts (Insert arrangement 13-35)					
Contact position ID	Location		Contact position ID	Location	
	X-axis (mm)	Y-axis (mm)		X-axis (mm)	Y-axis (mm)
1	+045 (1.14)	+197 (5.00)	12	-182 (4.62)	+088 (2.24)
2	+126 (3.20)	+158 (4.01)	13	-126 (3.20)	+158 (4.01)
3	+182 (4.62)	+088 (2.24)	14	-045 (1.14)	+197 (5.00)
4	+203 (5.16)	+000 (0.00)	15	+045 (1.14)	+107 (2.72)
5	+182 (4.62)	-088 (2.24)	16	+117 (2.97)	+026 (0.66)
6	+126 (3.20)	-158 (4.01)	17	+093 (2.36)	-075 (1.91)
7	+045 (1.14)	-197 (5.00)	18	+000 (.00)	-120 (3.05)
8	-045 (1.14)	-197 (5.00)	19	-093 (2.36)	-075 (1.91)
9	-126 (3.20)	-158 (4.01)	20	-117 (2.97)	+026 (0.66)
10	-182 (4.62)	-088 (2.24)	21	-045 (1.14)	+107 (2.72)
11	-203 (5.16)	+000 (0.00)	22	+000 (.00)	-030 (0.76)

(Applicable to MIL-DTL-38999 only)

Shell size	Arrangement no.	Number of contacts	Size contacts	Service rating	Contact location	Supersedes
13	-35	22	22D	M	All	MS27527-35

Panel cutout

JAM NUT RECEPTACLE (TYPE 7)



Dim	Nominal
B	24.26+0/-0.25
ØC	25.65+0.25/-0

SOURIAU shall not be liable for any non-conformity or damage due to a use of the Products which does not comply with the Specifications issued by either of the Parties or by a third party (professional recommendation, technical notice.)

Country	Jurisdiction & Control List
FR	Not Listed

PN: 8D713K35BN

A	28-09-2016	First Release	
ISS	DATE	Latest modification - by	MOD N°
Designed By:		Date:	CUSTOMER DRAWING
TITLE	Stainless Steel Receptacle 8D series		
SCALE		General linear Tolerances:	NPRDS / PROJECT
NA		±--	859
SOURIAU	WWW.SOURIAU.COM		This document is the property of SOURIAU it must not be reproduced or communicated without permission
FORMAT	SOURIAU DRG N° 8D713K35BN-C		SHEET 2/2