

4

3

2

1

THIS DRAWING IS UNPUBLISHED.

RELEASED FOR PUBLICATION

,19

© COPYRIGHT 19

BY AMP INCORPORATED. ALL RIGHTS RESERVED.

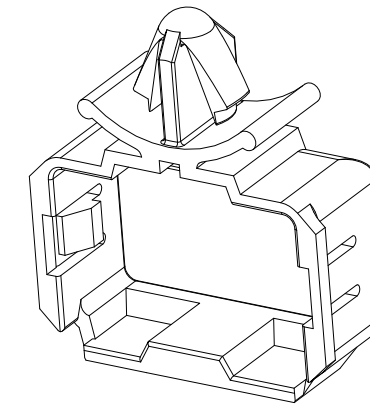
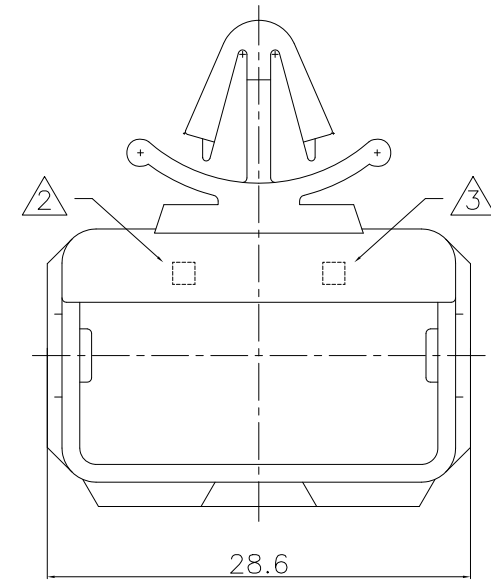
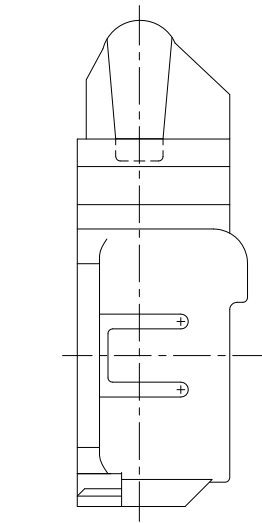
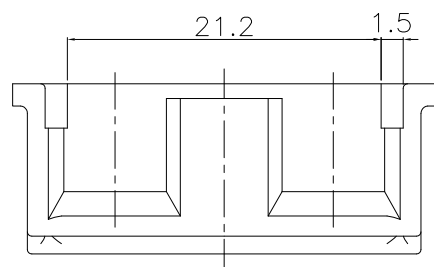
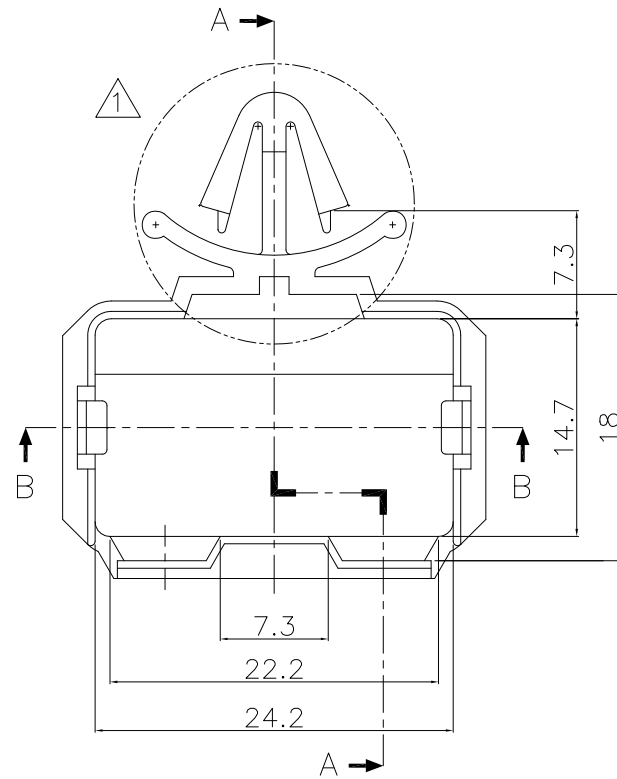
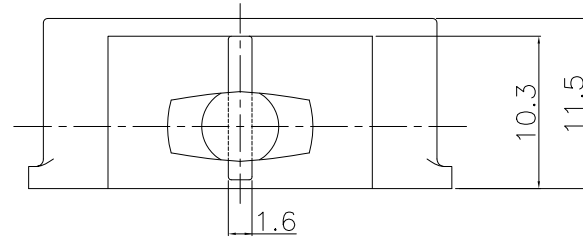
LOC

DIST

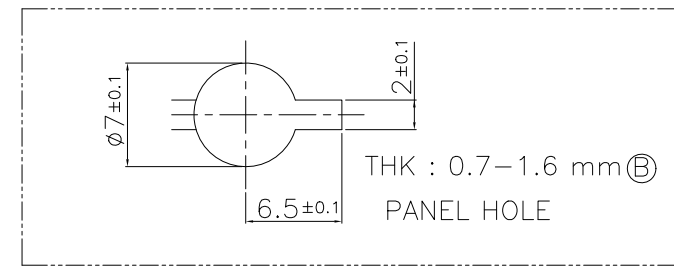
REVISIONS

P	LTR	DESCRIPTION	DATE	DWN	APVD
O		RELEASED (FC00-0119-01)	06/NOV/01	YD	CS
A		REVISED (ECR-05-009469)	23/AUG/05	IS	JK
B		REVISED (ECR-08-030553)	02/FEB/09	YM	HC

936273-1

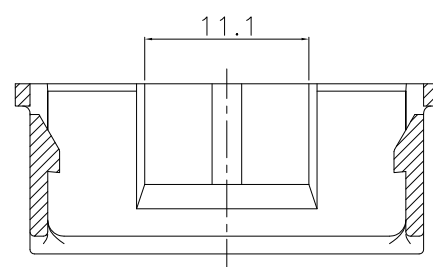


3D VIEW

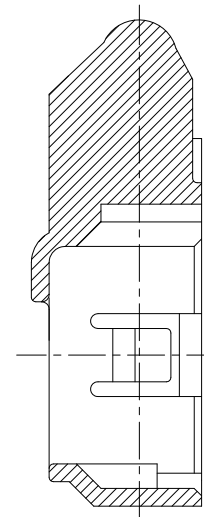


NOTES

- ①. EACH P/NO IS DIFFERENTIATED BY ONLY THIS FIGURE DUE TO PANEL & JPT
- ②. CAVITY MARK
- ③. TE LOGO



SECTION B-B



SECTION A-A

THIS DRAWING IS A CONTROLLED DOCUMENT FOR AMP INCORPORATED. IT IS SUBJECT TO CHANGE AND THE CONTROLLING ENGINEERING ORGANIZATION SHOULD BE CONTACTED FOR THE LATEST REVISION.

DIMENSIONS: MM	TOLERANCES UNLESS OTHERWISE SPECIFIED: 0<XX<10 ± 0.2 10<XX<30 ± 0.25 30<XX<100 ± 0.3 ANGLES ± 3°
3rd ANGLE PROJECTION	
MATERIAL NYLON 66 (DSC201IR, BLACK)	FINISH

936273-1	$\phi 7$ (THK:0.7-1.6) (B) KEY HOLE	85205/368366/368356(STD), 368000/936136(MULTI)
P/NO	PANEL HOLE & THK	APPLICABLE P/NO OF JPT 3P ASS'Y
DWN Y.M.LEE	AMP KOREA. Kyungsan, Korea	
CHK Y.M.CHOI		
APVD H.G.CHO		
PRODUCT SPEC		
APPLICATION SPEC	NAME CLIP BODY HSG FOR JPT 3P ASS'Y	
WEIGHT 1.87 g	SIZE A3	CAGE CODE 00779
CUSTOMER DRAWING	DRAWING NO 936273	SCALE 1/2 SHEET 1 OF 3 REV B

4

3

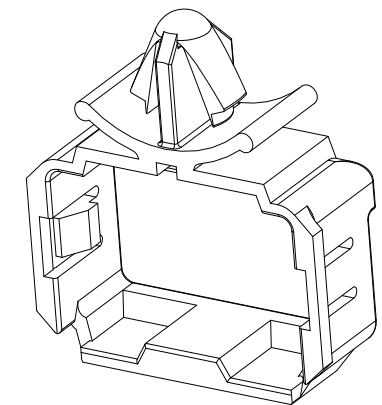
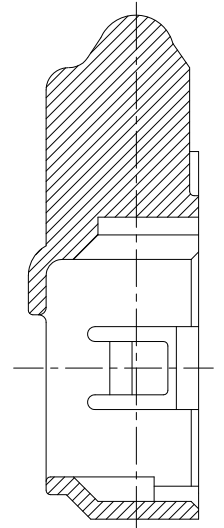
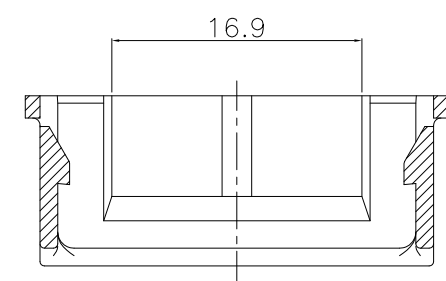
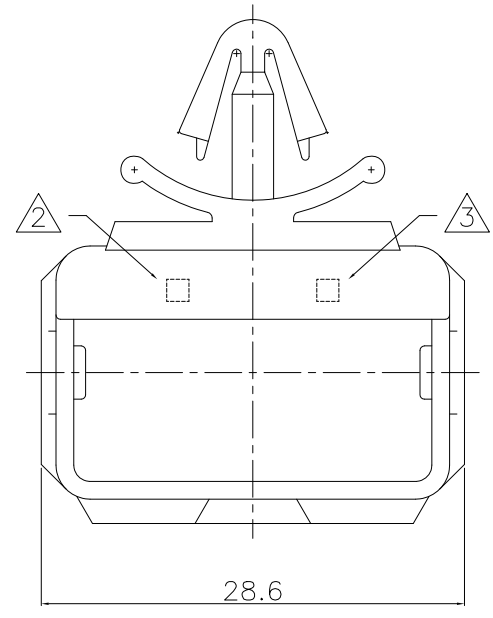
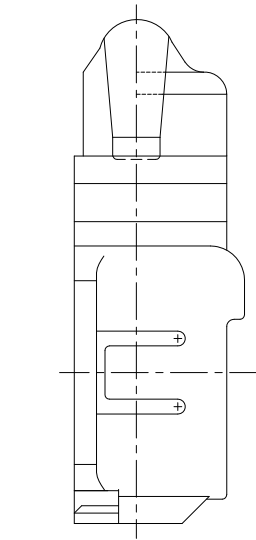
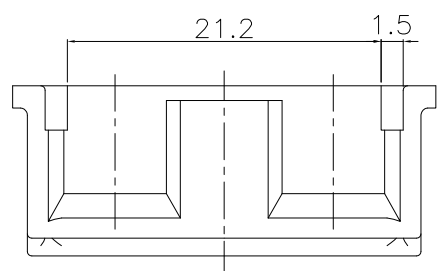
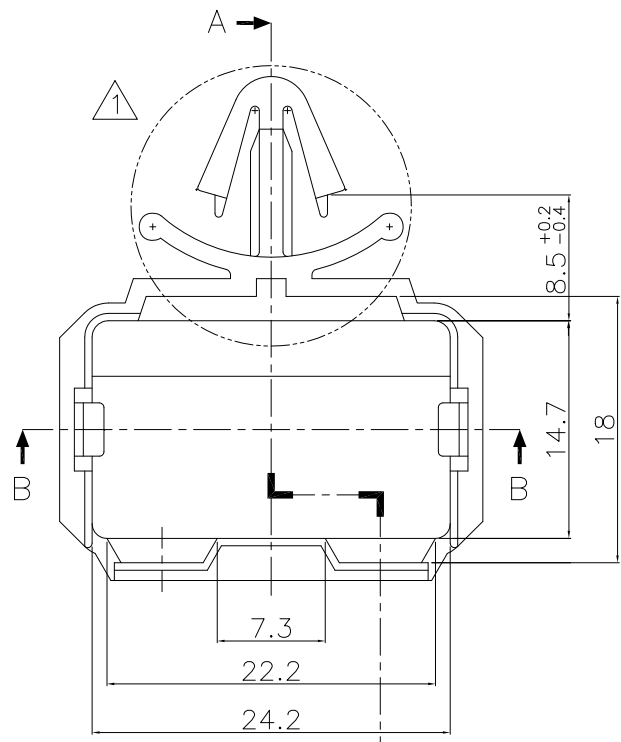
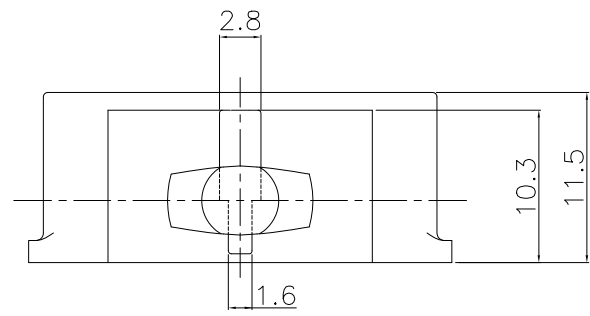
2

1

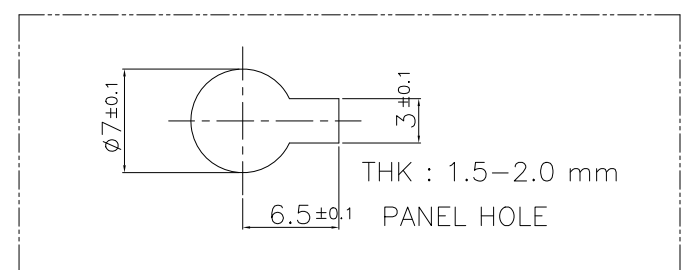
THIS DRAWING IS UNPUBLISHED. RELEASED FOR PUBLICATION ,19 .  
© COPYRIGHT 19 BY AMP INCORPORATED. ALL RIGHTS RESERVED.

LOC	DIST	REVISIONS					
DS		P	LTR	DESCRIPTION	DATE	DWN	APVD
				SEE SHEET 1/3			

936273-2



3D VIEW



NOTES

- 1. EACH P/NO IS DIFFERENTIATED BY ONLY THIS FIGURE DUE TO PANEL & JPT
- 2. CAVITY MARK
- 3. TE LOGO

THIS DRAWING IS A CONTROLLED DOCUMENT FOR AMP INCORPORATED. IT IS SUBJECT TO CHANGE AND THE CONTROLLING ENGINEERING ORGANIZATION SHOULD BE CONTACTED FOR THE LATEST REVISION.

DIMENSIONS: MM	TOLERANCES UNLESS OTHERWISE SPECIFIED: 0<XX<10 ± 0.2 10<XX<30 ± 0.25 30<XX<100 ± 0.3 ANGLES ± 3°
3rd ANGLE PROJECTION	
MATERIAL: NYLON 66 (DSC201IR, BLACK)	FINISH

936273-2	ø7 (THK:1.5-2.0) KEY HOLE	368215(KNOCK SENSOR)
P/NO	PANEL HOLE & THK	APPLICABLE P/NO OF JPT 3P ASS'Y
DWN	CHK	NAME
APVD	PRODUCT SPEC	AMP KOREA, Kyungsan, Korea
APPLICATION SPEC	WEIGHT: 1.97 g	CLIP BODY HSG FOR JPT 3P ASS'Y
SIZE: A3	CAGE CODE: 00779	DRAWING NO: 936273
CUSTOMER DRAWING	SCALE: 1/2	SHEET 2 OF 3 REV B

4

3

2

1

THIS DRAWING IS UNPUBLISHED.

RELEASED FOR PUBLICATION

,19

© COPYRIGHT 19

BY AMP INCORPORATED. ALL RIGHTS RESERVED.

LOC

DIST

REVISIONS

DS

P

LTR

DESCRIPTION

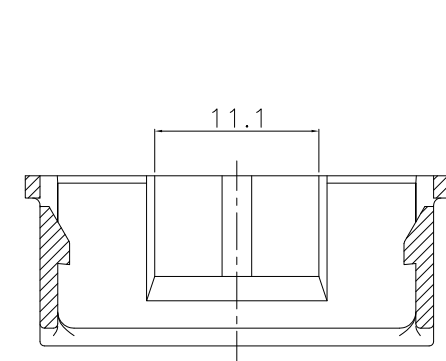
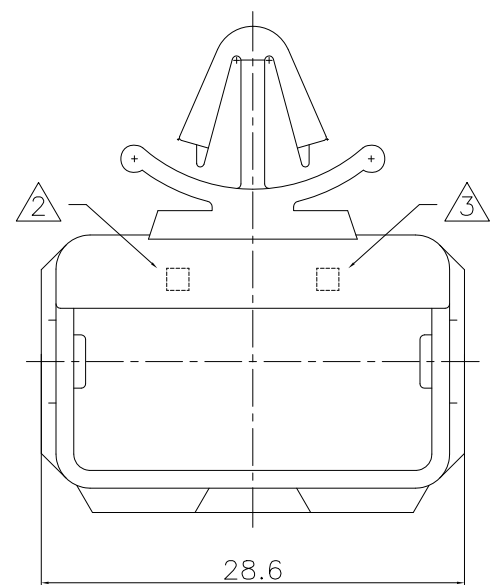
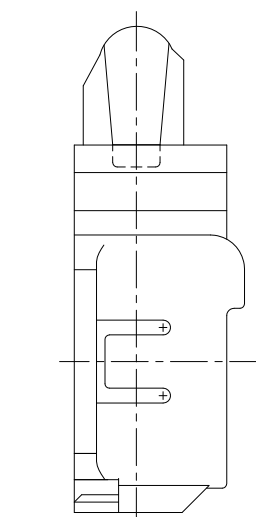
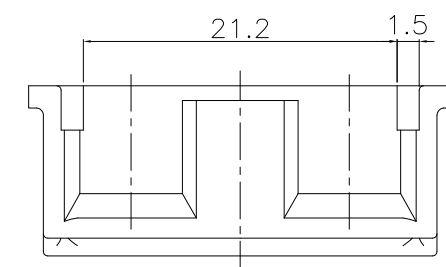
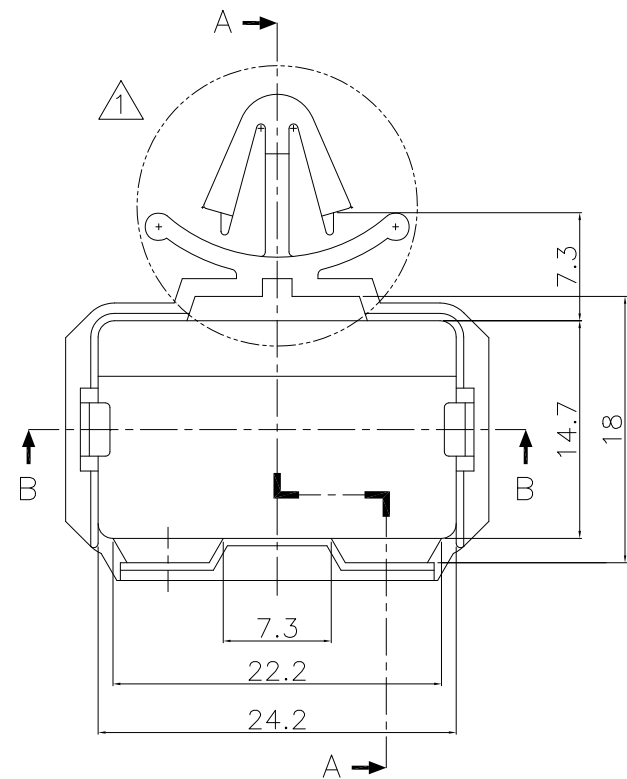
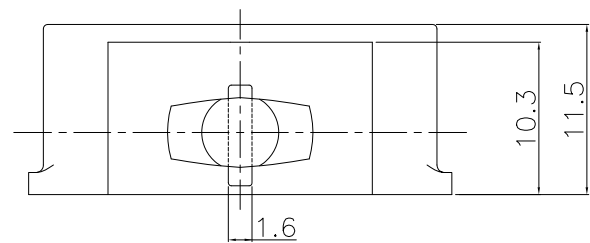
DATE

DWN

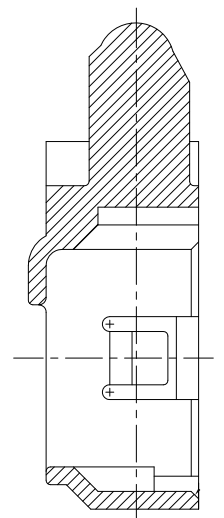
APVD

SEE SHEET 1/3

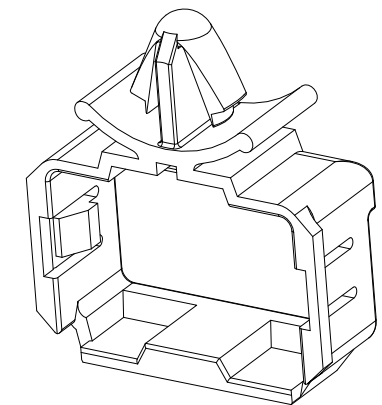
1-936273-1



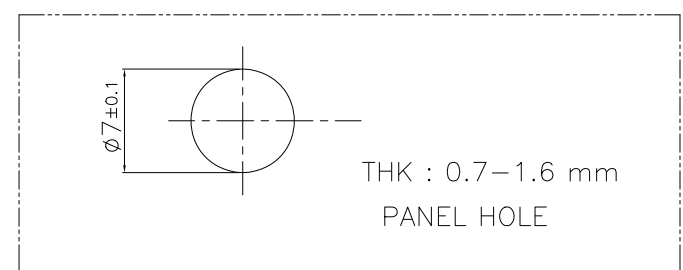
SECTION B-B



SECTION A-A



3D VIEW



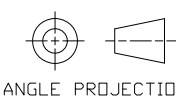
THK : 0.7-1.6 mm  
PANEL HOLE

NOTES

- 1. EACH P/NO IS DIFFERENTIATED BY ONLY THIS FIGURE DUE TO PANEL & JPT
- 2. CAVITY MARK
- 3. TE LOGO

THIS DRAWING IS A CONTROLLED DOCUMENT FOR AMP INCORPORATED. IT IS SUBJECT TO CHANGE AND THE CONTROLLING ENGINEERING ORGANIZATION SHOULD BE CONTACTED FOR THE LATEST REVISION.

DIMENSIONS: MM



MATERIAL: NYLON 66 (TEKAMID210IR, DARK GRAY)

TOLERANCES UNLESS OTHERWISE SPECIFIED:

- 0<XX<10 ± 0.2
- 10<XX<30 ± 0.25
- 30<XX<100 ± 0.3
- ANGLES ± 3°

FINISH

1-936273-1	ø7 (THK:0.7-1.6) ROUND HOLE	85205/368366/368356(STD), 368000/936136(MULTI)		
P/NO	PANEL HOLE & THK	APPLICABLE P/NO OF JPT 3P ASS'Y		
DWN	CHK	AMP KOREA, Kyungsan, Korea NAME: CLIP BODY HSG FOR JPT 3P ASS'Y SIZE: A3 CAGE CODE: 00779 DRAWING NO: 936273 WEIGHT: 1.80 g		
SEE SHEET 1/3				
APVD	PRODUCT SPEC			
APPLICATION SPEC				
CUSTOMER DRAWING		SCALE: 1/2	SHEET: 3 OF 3	REV: B