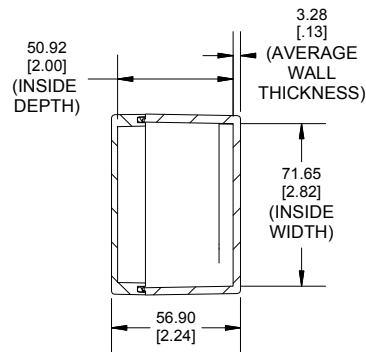
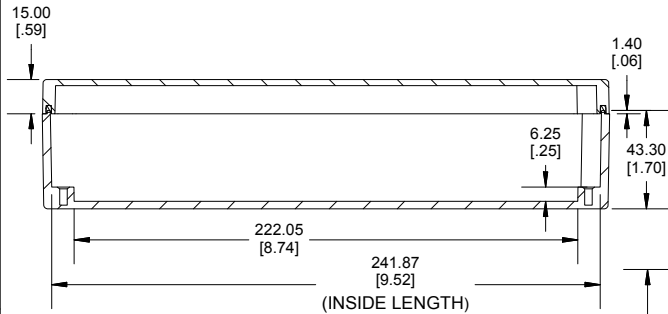
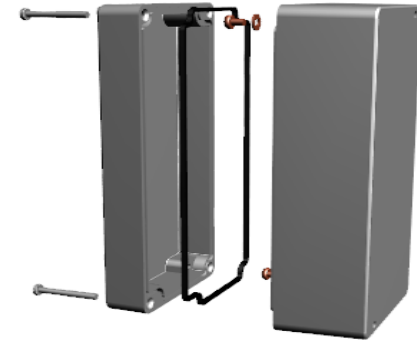


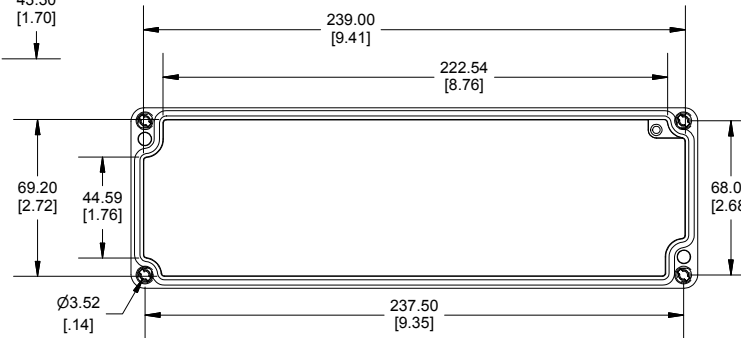
TOP VIEW



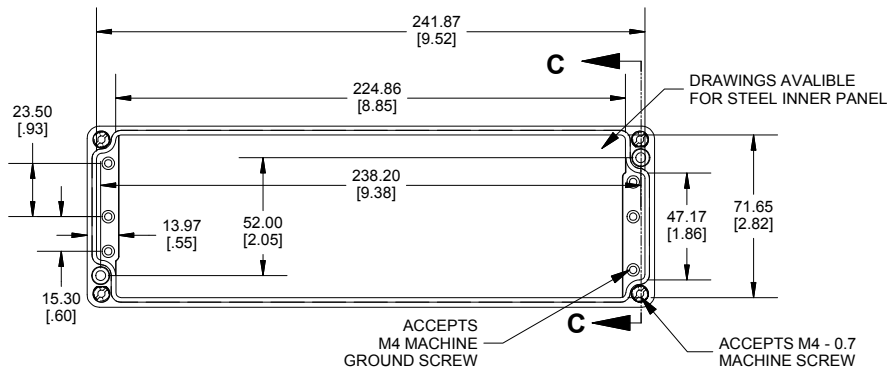
SECTION A-A
END VIEW



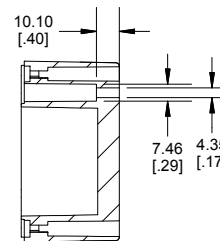
SECTION B-B
SIDE VIEW



INSIDE LID



INSIDE BOX



SECTION C-C
MOUNTING HOLE



Enclosures can be Factory Modified (Milling, Drilling, Printing etc.)
Contact Factory mjm@hammondmfg.com for quotes
Solid models of this enclosure available in STEP or IGES.
(Part number and text placement/orientation on our products are subject to change,
we do not recommend using them as a locating reference for modification purposes)

NOTE

Purchased assembly includes box, lid, silicone gasket,
4 cover screws and 4 ground screws with washers.
Box and lid are made from Diecast Aluminum Alloy.

Recommended cover screw Torque 5-7.5 lbf.in (50 -75 cN.m)

1590Z140

1590Z140 Enclosure

Natural Enclosure	1590Z140
Black Enclosure	1590Z140BK
Grey Enclosure - RAL7001 Gloss	1590Z140GY

ACCESSORIES

Steel Inner Panel	1590Z140PL
Pre-Formed Silicone Gasket (2 Pack)	1590Z140G
Copper Ground Hardware (50 Pack) [M4 - 0.7 X 6mm / M4 Washer]	SCGM4-50
Stainless Steel Cover screws (50 pkg) [M4 - 0.7 x 20mm PN]	SC576-50

1590Z140
www.hammondmfg.com

Dimensions:
mm
[inches]