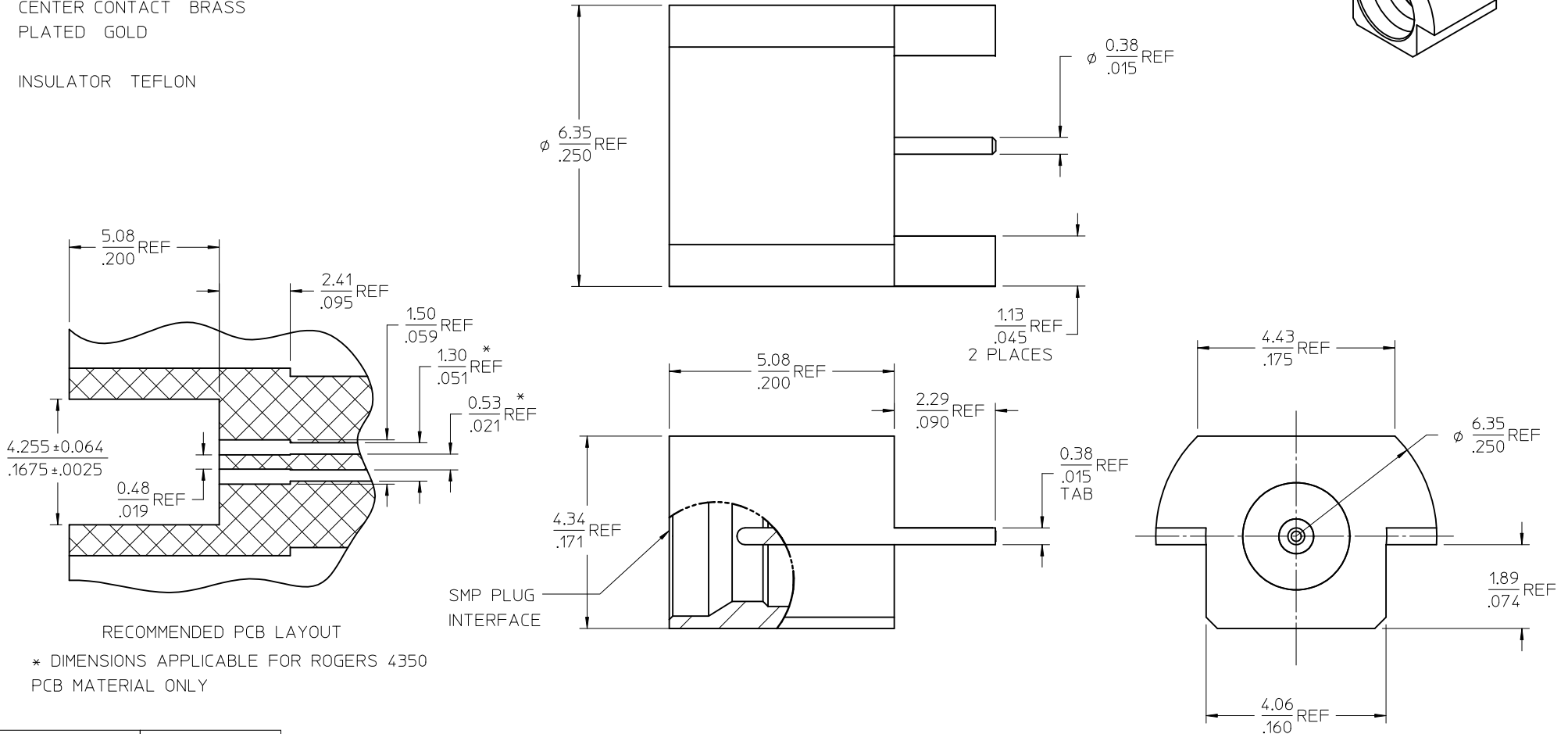
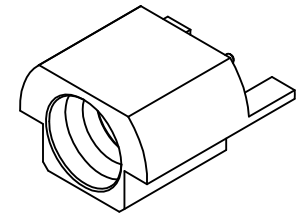


MATERIALS AND FINISHES

BODY BRASS
PLATED GOLD

CENTER CONTACT BRASS
PLATED GOLD

INSULATOR TEFLON



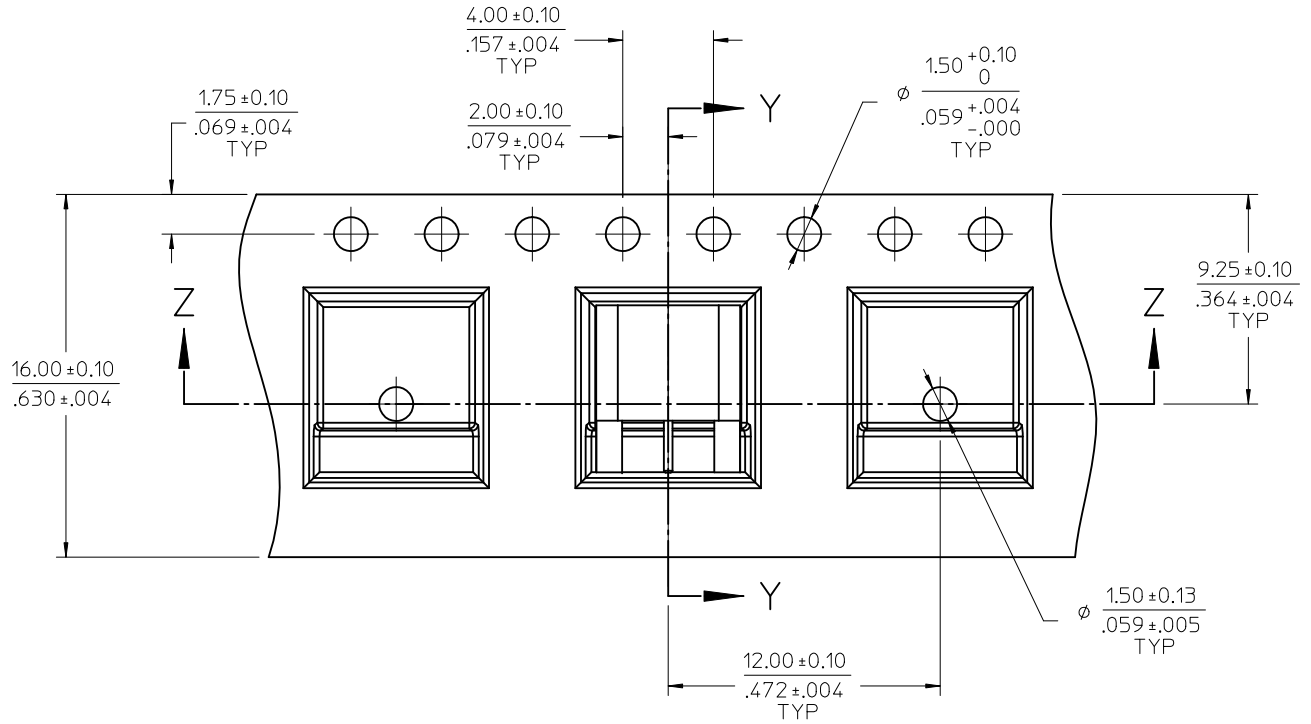
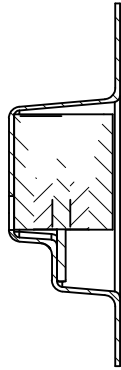
73415-5721	ONE PER BAG
73415-5720	TAPE & REEL
PART NO.	PACKAGING

PS-89675-3320	PRODUCT SPECIFICATION
SPECIFICATION	DESCRIPTION

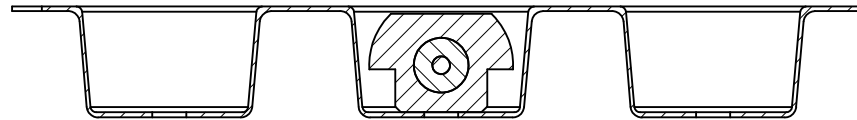
CHG: ADD -5721 EC NO: URF2012-0435 DRWN:JIENER 2012/01/30 CHKD:SSS 2012/01/30 APPR:JIENER 2012/01/31	QUALITY SYMBOLS ▽=0 ▽=0	GENERAL TOLERANCES (UNLESS SPECIFIED) 4 PLACES ± --- ± --- 3 PLACES ± --- ± --- 2 PLACES ± --- ± --- 1 PLACE ± --- ± --- ANGULAR ± 2°	DIMENSION STYLE MM/IN DRAWN BY DATE JM 2005/12/12 CHECKED BY DATE JM 2005/12/12 APPROVED BY DATE JDW 2005/12/12	SCALE DESIGN UNITS THIRD ANGLE PROJECTION TITLE SMP PLUG, PCB EDGEMOUNT FULL DETENT, 50 OHMS EWR-2973, SMP-P/PCB	MATERIAL NO. SEE TABLE SIZE C	DOCUMENT NO. SD-73415-572 SHEET NO. 1 OF 3
		DRAFT WHERE APPLICABLE MUST REMAIN WITHIN DIMENSIONS		MOLEX INCORPORATED THIS DRAWING CONTAINS INFORMATION THAT IS PROPRIETARY TO MOLEX INCORPORATED AND SHOULD NOT BE USED WITHOUT WRITTEN PERMISSION		

NOTE:
 1. 10 PITCHES CUMULATIVE TOLERANCE ±0.20(.008)

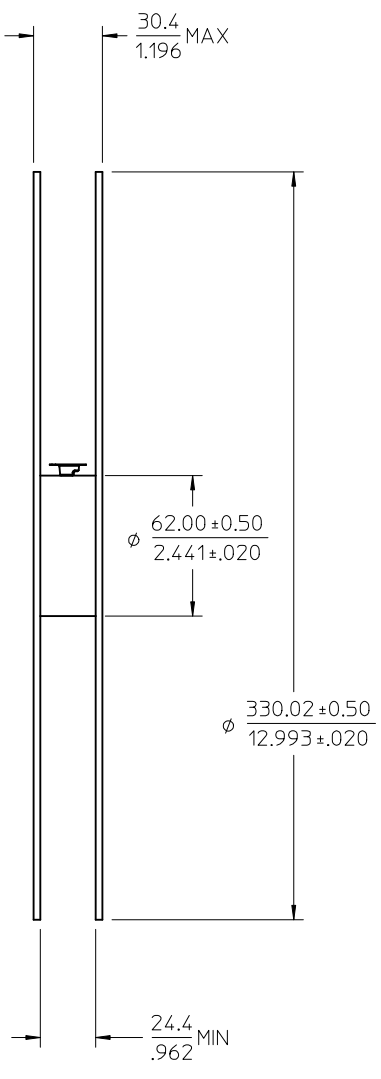
SECTION Y-Y



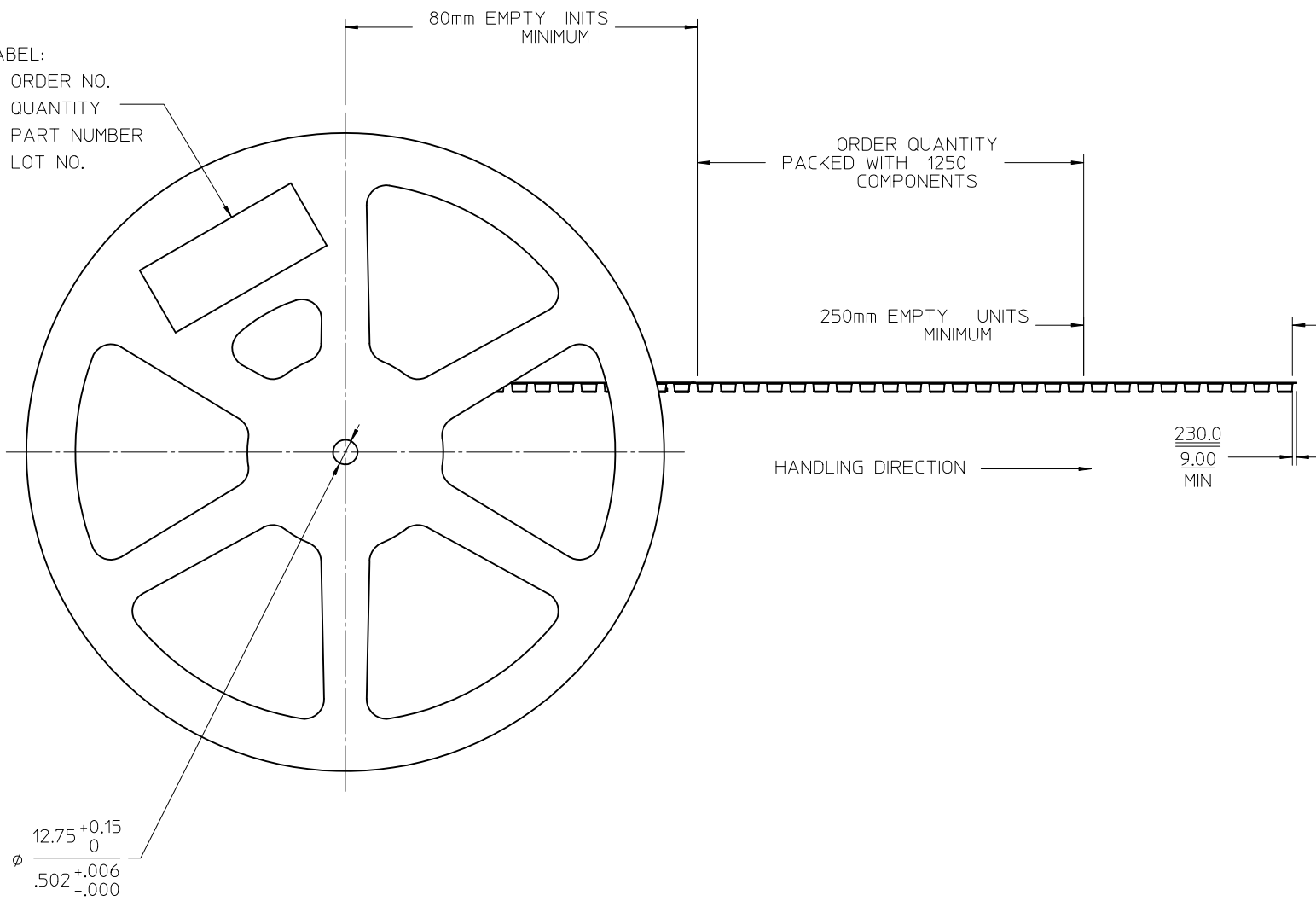
SECTION Z-Z



SEE SHEET 1 EC NO: URF2012-0435 2012/01/30 DRAWN: JWIENER CHKD: SSS 2012/01/30 APPR: JWIENER 2012/01/31	QUALITY SYMBOLS ▽=0 ▽=0	GENERAL TOLERANCES (UNLESS SPECIFIED)		DIMENSION STYLE MM/IN	SCALE	DESIGN UNITS METRIC	THIRD ANGLE PROJECTION	
		4 PLACES ± --- ± ---	3 PLACES ± --- ± ---	DRAWN BY JM	DATE 2005/12/12	TITLE SMP PLUG, PCB EDGEMOUNT FULL DETENT, 50 OHMS EWR-2973, SMP-P/PCB		
		2 PLACES ± --- ± ---	1 PLACE ± --- ± ---	CHECKED BY JM	DATE 2005/12/12	MOLEX INCORPORATED		
		ANGULAR ± 2 °		APPROVED BY JDW	DATE 2005/12/12	MATERIAL NO. 734155720	DOCUMENT NO. SD-73415-572	SHEET NO. 2 OF 3
B1	DESCRIPTION	DRAFT WHERE APPLICABLE MUST REMAIN WITHIN DIMENSIONS		THIS DRAWING CONTAINS INFORMATION THAT IS PROPRIETARY TO MOLEX INCORPORATED AND SHOULD NOT BE USED WITHOUT WRITTEN PERMISSION				



LABEL:
 - ORDER NO.
 - QUANTITY
 - PART NUMBER
 - LOT NO.



12.75 +0.15
0
∅
.502 +.006
-.000

SEE SHEET 1 EC NO: URF2012-0435 DRWN: JWIENER 2012/01/30 CHKD: SSS 2012/01/30 APPR: JWIENER 2012/01/31	QUALITY SYMBOLS ▽=0 ▽=0	GENERAL TOLERANCES (UNLESS SPECIFIED) <table border="1"> <tr> <td></td> <td>mm</td> <td>INCH</td> </tr> <tr> <td>4 PLACES</td> <td>± ---</td> <td>± ---</td> </tr> <tr> <td>3 PLACES</td> <td>± ---</td> <td>± ---</td> </tr> <tr> <td>2 PLACES</td> <td>± ---</td> <td>± ---</td> </tr> <tr> <td>1 PLACE</td> <td>± ---</td> <td>± ---</td> </tr> </table>		mm	INCH	4 PLACES	± ---	± ---	3 PLACES	± ---	± ---	2 PLACES	± ---	± ---	1 PLACE	± ---	± ---	DIMENSION STYLE MM/IN	SCALE DESIGN UNITS METRIC	THIRD ANGLE PROJECTION
		mm	INCH																	
	4 PLACES	± ---	± ---																	
	3 PLACES	± ---	± ---																	
	2 PLACES	± ---	± ---																	
1 PLACE	± ---	± ---																		
MATERIAL NO. 734155720	DOCUMENT NO. SD-73415-572	TITLE SMP PLUG, PCB EDGEMOUNT FULL DETENT, 50 OHMS EWR-2973, SMP-P/PCB	SHEET NO. 3 OF 3																	
DRAFT WHERE APPLICABLE MUST REMAIN WITHIN DIMENSIONS		MOLEX INCORPORATED																		
THIS DRAWING CONTAINS INFORMATION THAT IS PROPRIETARY TO MOLEX INCORPORATED AND SHOULD NOT BE USED WITHOUT WRITTEN PERMISSION																				
REV B1																				