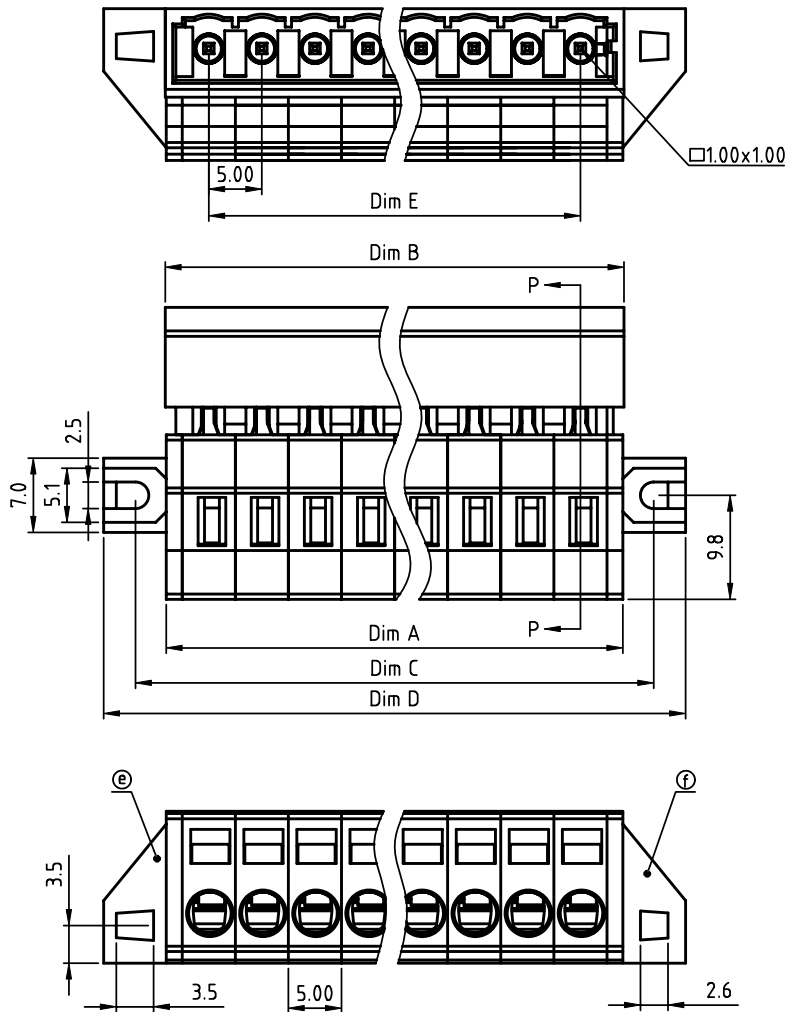


PRODUCT NUMBER	PITCH
NBxx70x100J0G	5.00 mm



N=Number of poles
 Dim A=Nx5.0+3.0
 Dim B=Nx5.0+3.2
 Dim C=Nx5.0+8.8
 Dim D=Nx5.0+14.8
 Dim E=(N-1)x5.0

POLES	Tolerance
2p-6p	±0.20
7p-12p	±0.25
13p-18p	±0.30
19p-24p	±0.40

PART NO.: NB xx 7 0 x 1 00J0 G

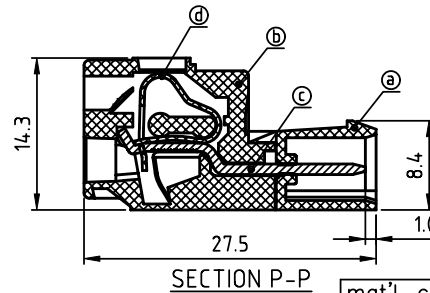
Solid block	No. of poles	Color	RoHS compliant
0	2	Black (RAL9005)	(lead<4%)
02	2 poles	Red (RAL3001/D)	In copper Alloy
03	3 poles	Orange(RAL2011/P)	
...	...	4 Yellow(RAL1018/A)	
...	...	5 Green(RAL6018/T)	
24	24 poles	6 Blue (RAL5015/A)	
		8 Grey(RAL7035/D)	
		9 White(RAL1102)	
		C Green(RAL6018/U)	

Material:

- Item@Top body:Thermoplastic (UL94 V-0)
- Item@Bottom body: Thermoplastic (UL94 V-0)
- Item@Male contact pin:Brass Tin plated
- Item@Spring clamp: Stainless steel
- Item@Terminal (Left cover):Thermoplastic (UL94 V-0)
- Item@Terminal (Right cover):Thermoplastic (UL94 V-0)

Electrical cULus

- Voltage rating: 300V
- Current rating: 8A
- Wire range:
- Solid wire(AWG): 12-28
- Stranded wire(AWG): 12-28
- Wire strip length: 8-9mm
- Withstanding Voltage: 1.6KV
- Operating temperature: -40°C to +115°C
- Safety Approval:



mat'l. code		surface ASME Y14.5	tolerance ASME Y14.5	projection 	product family TERMINAL BLOCK
ltr ecn no dr date		tolerances unless otherwise specified		MM	title TERMINAL BLOCK SPRING CLAMP,PLUGGABLE PLUG WITH FLANGE,MALE CONNECTOR
angles		X.±0.5	X.X±0.3		
X*±1"		X.XX±0.1			
dr		EVIN ZHONG	051714		scale
enr		EVIN ZHONG	051714		dwg no
chr		HANKE FENG	051714		sheet 1 of 1
appd		SHI JUN	051714		size A4
sheet index	revision sheet	A	1	type	CUSTOMER Drawing