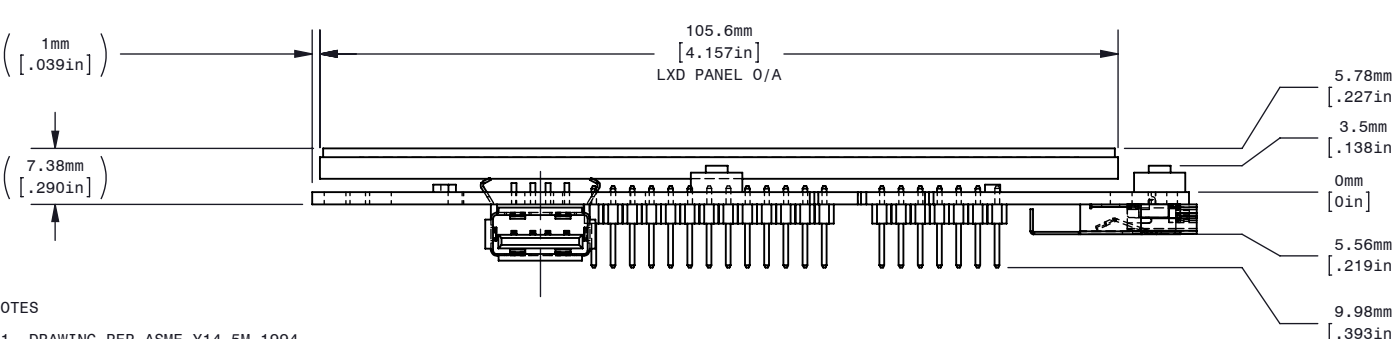
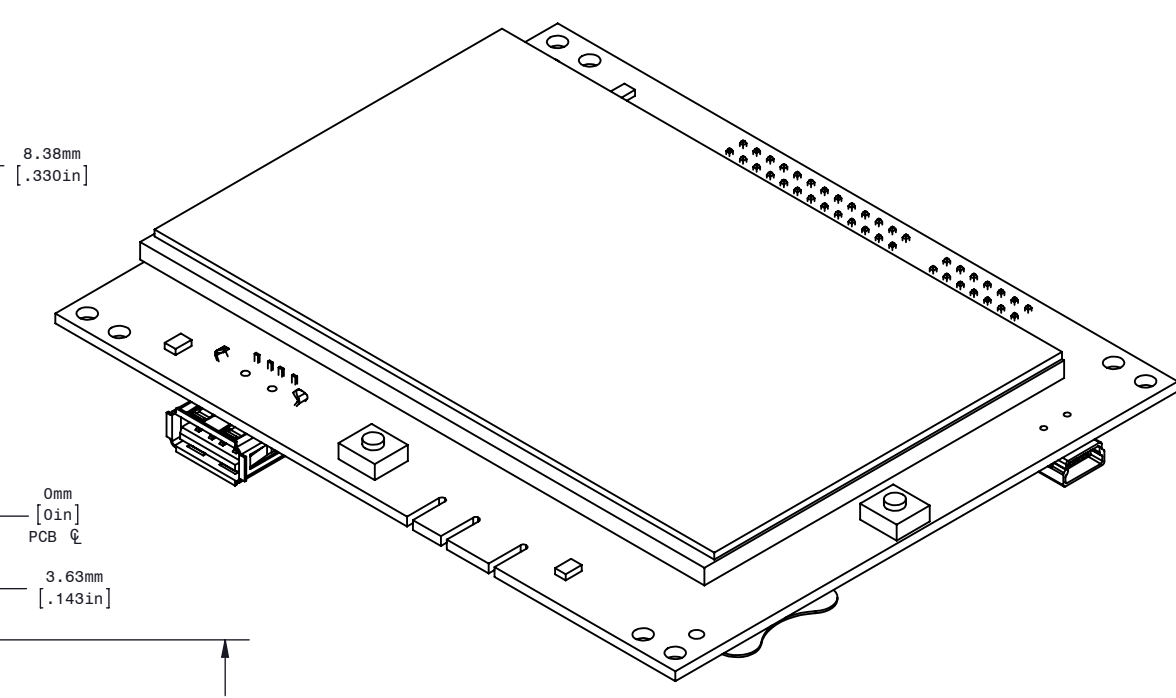
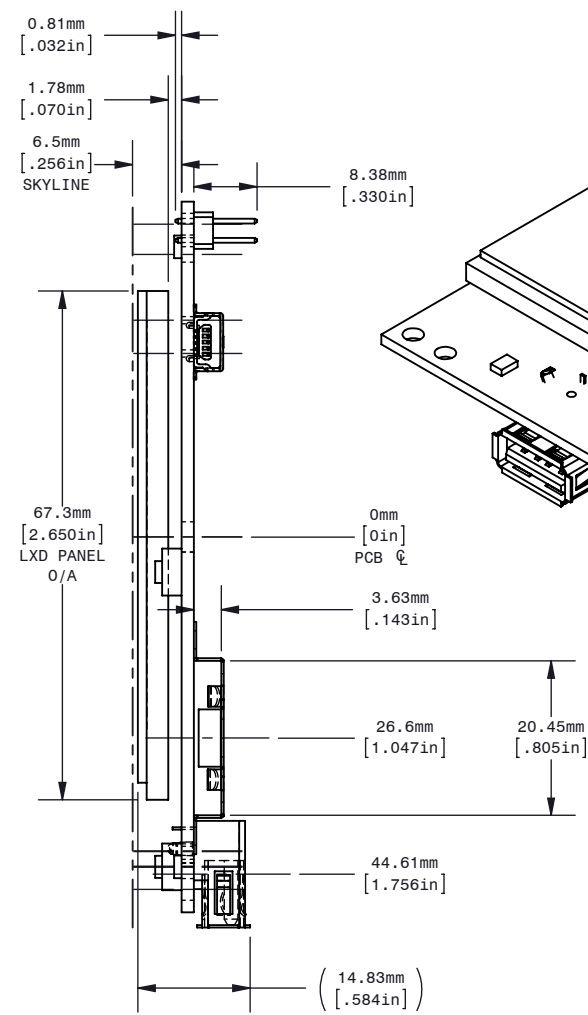
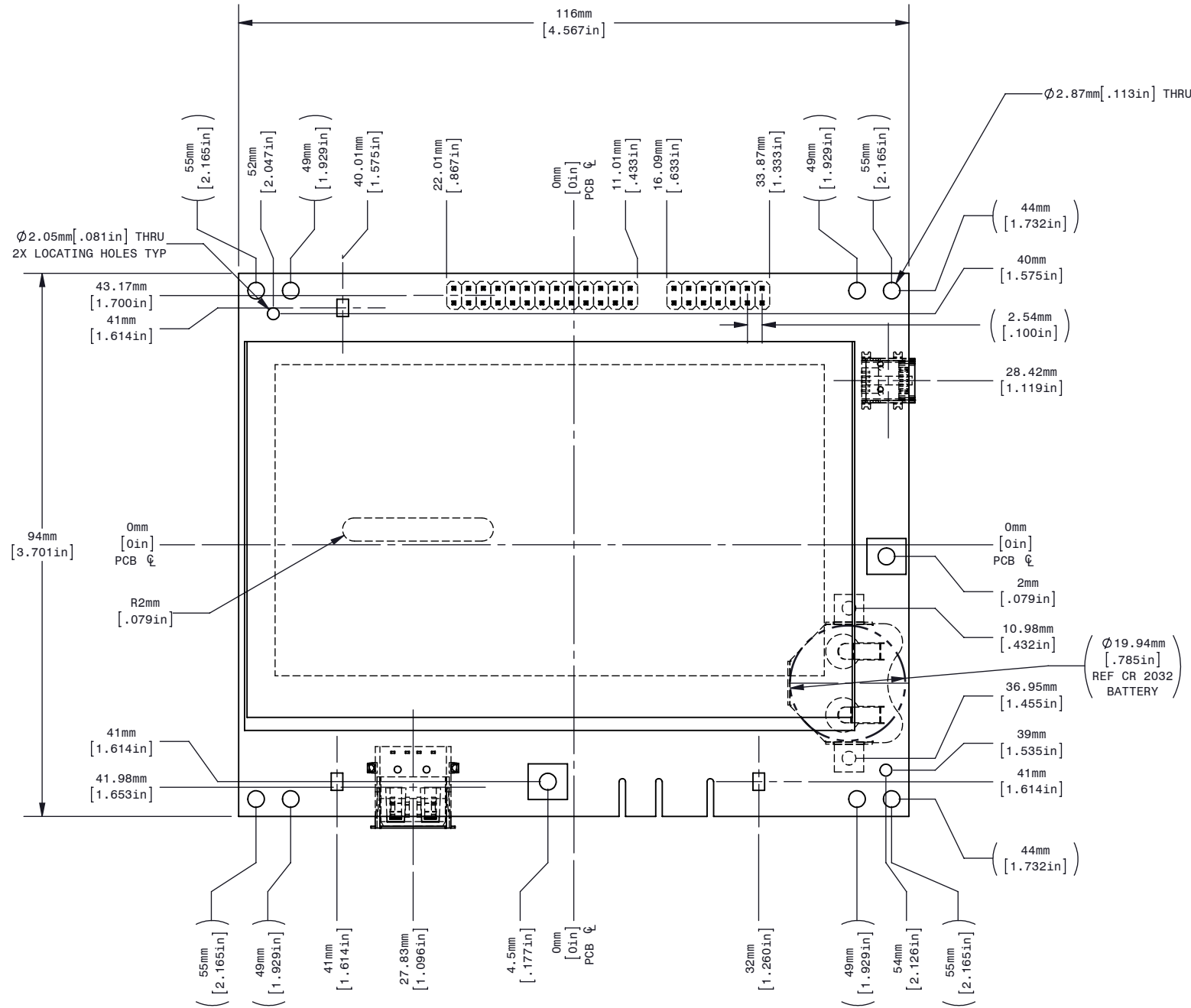


THIS DOCUMENT CONTAINS INFORMATION THAT IS THE PROPERTY OF SERIOUS INTEGRATED, INC. THIS DOCUMENT MAY NOT, IN WHOLE OR IN PART BE DUPLICATED, DISCLOSED OR USED FOR THE MANUFACTURE OF THE PART DISCLOSED HEREIN, WITHOUT WRITTEN PERMISSION FROM SERIOUS INTEGRATED, INC. ALL RIGHTS RESERVED.

DATUM LOCATER				
DATUM	A	B	C	
ZONE	X/X	-	-	

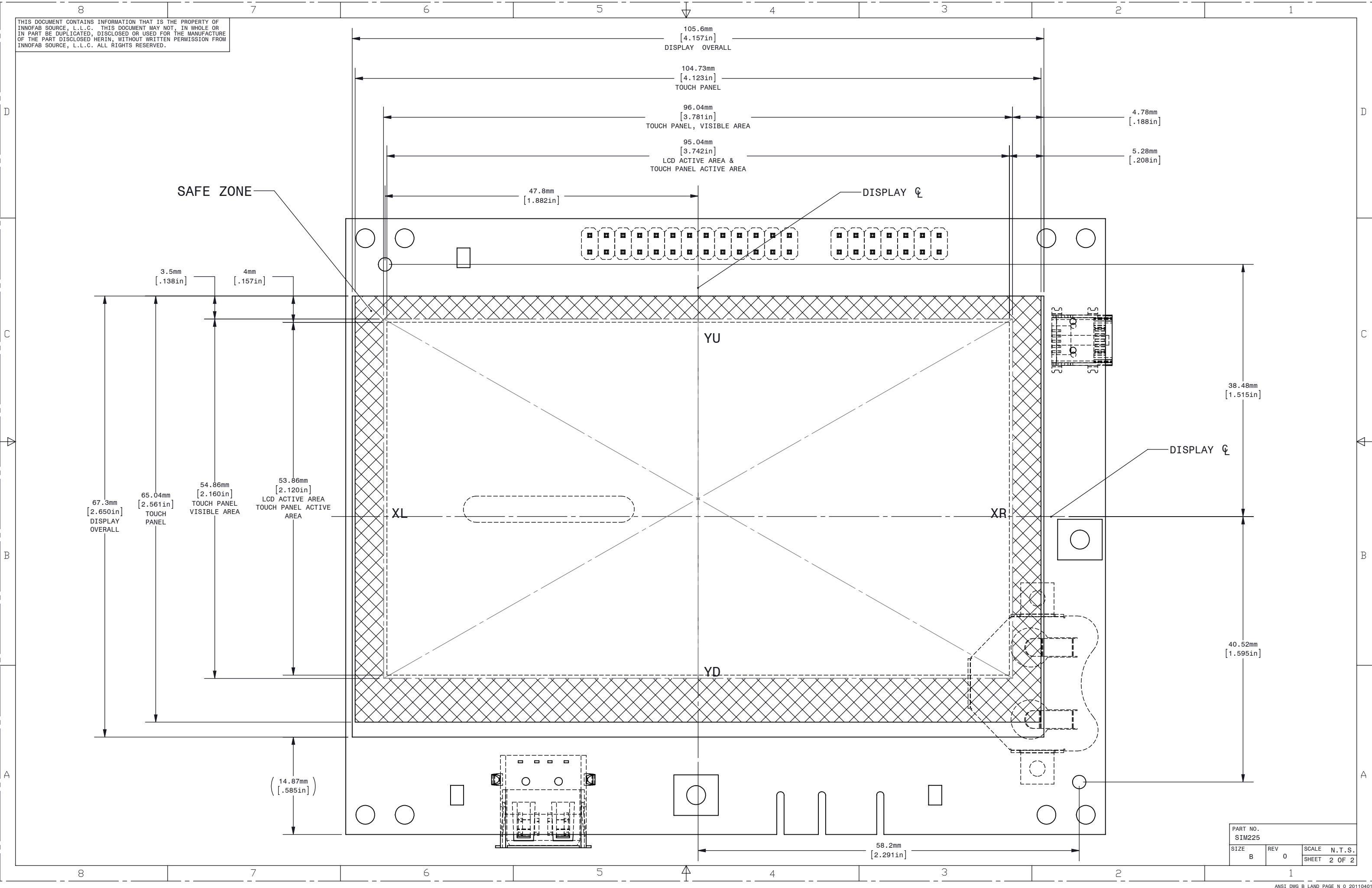
REVISIONS				
REV	DESCRIPTION	DATE	BY	CHK
0	INITIAL RELEASE	2012.11.23	M. HOPPES	G. LAHTI



- NOTES
- 1 DRAWING PER ASME Y14.5M-1994
 - 2 ALL TOLERANCES AS NOTED, UNLESS OTHERWISE SPECIFIED, DRAWING DUAL DIMENSIONED mm [INCHES]
 - 3 GENERAL TOLERANCES ON COMPONENT LOCATIONS ±0.5mm

<p>SERIOUS INTEGRATED</p> <p>THIRD ANGLE PROJECTION</p>	REF ASSY	APPROVALS	DATE	PART NO.
	-	M. HOPPES	2012.11.23	SIM225
	-	G. LAHTI	2012.11.23	NOMENCLATURE
	-	-	-	SIM225 ASM
GENERAL TOLERANCES .x ± .060 .xx ± .030 .xxx ± .010 ANGLES BEND ± .5° ANGLES MACH ± .1°	ENGR:	ALL DIMENSIONS IN INCHES REMOVE ALL BURRS & SHARP EDGES DO NOT SCALE DRAWING ALL TOLERANCES AS NOTED.		DRAWING TITLE
63	✓			COMPONENT DRAWING
SIZE	REV	SCALE	N.T.S.	
B	0		SHEET 1 OF 2	

THIS DOCUMENT CONTAINS INFORMATION THAT IS THE PROPERTY OF INNOFAB SOURCE, L.L.C. THIS DOCUMENT MAY NOT, IN WHOLE OR IN PART BE DUPLICATED, DISCLOSED OR USED FOR THE MANUFACTURE OF THE PART DISCLOSED HEREIN, WITHOUT WRITTEN PERMISSION FROM INNOFAB SOURCE, L.L.C. ALL RIGHTS RESERVED.



PART NO.		SIM225	
SIZE	REV	SCALE	N.T.S.
B	0	SHEET 2 OF 2	