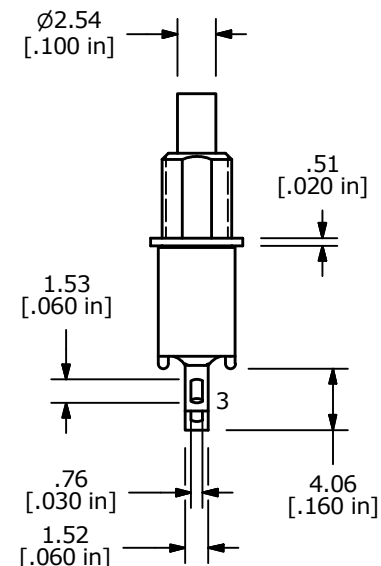
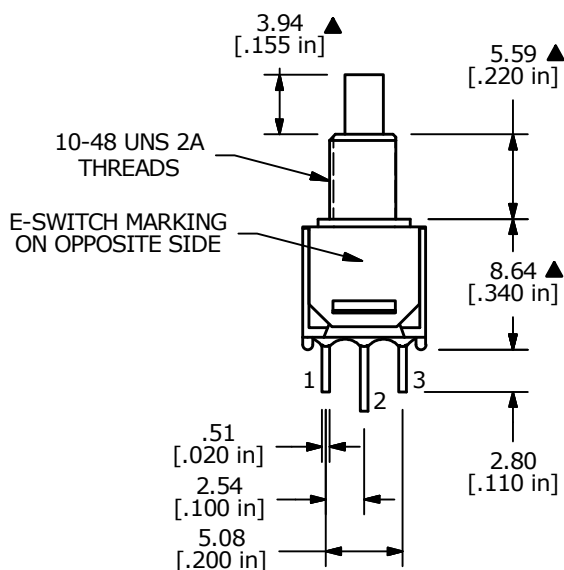
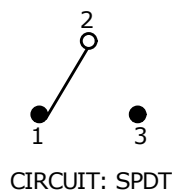


SWITCH FUNCTION	
POS. 1	POS. 2
ON	(ON)
2-1	2-3
(ON)=MOMENTARY	



NOTE:

1. ALL DIMENSIONS IN MM [INCH]
2. GENERAL TOLERANCE: X.X=±0.4
X.XX=±0.25
3. TERMINAL NUMBERS FOR REF ONLY
- ▲ 4. CONTACT MATERIAL: SILVER
- ▲ 5. RATING: 1A @ 250 VAC
3A @ 120 VAC OR 28 VDC
6. MECHANICAL LIFE: 50,000 MAKE-AND-BREAK CYCLES
7. CONTACT RESISTANCE: 20 mΩ MAX. INITIAL @ 2-4VDC
100mA FOR BOTH GOLD AND SILVER CONTACTS
8. INSULATION RESISTANCE: 1,000 MEGA-OHM MIN.
9. DIELECTRIC STRENGTH: 1,000 V RMS @SEA LEVEL.
10. OPERATING TEMP.: -30°C to 85°C
11. ▲ DENOTES CRITICAL PARAMETER.
12. 2002/95/EC (ROHS) COMPLIANT

F	21937	Correct Switch Function Diagram	7/31/15	MW
E	21901	PANEL MNT. DIM. TO 4.55 x Ø 4.95	7/14/15	MW
D	20023	UPDATE DRAWING	06/23/11	BMA
C	16817	REVISED AND REDRAWN	01/02/07	TN
REV	PCR NO	DESCRIPTION	DATE	BY

THE INFORMATION CONTAINED IN THIS DOCUMENT IS PROPRIETARY TO E-SWITCH AND IS NOT TO BE COPIED OR TRANSFERRED



TITLE 800SP8B5M1QE

SCALE	DATE	DR	DWG	REV
2:1	6/23/2011	TN	T822009	F