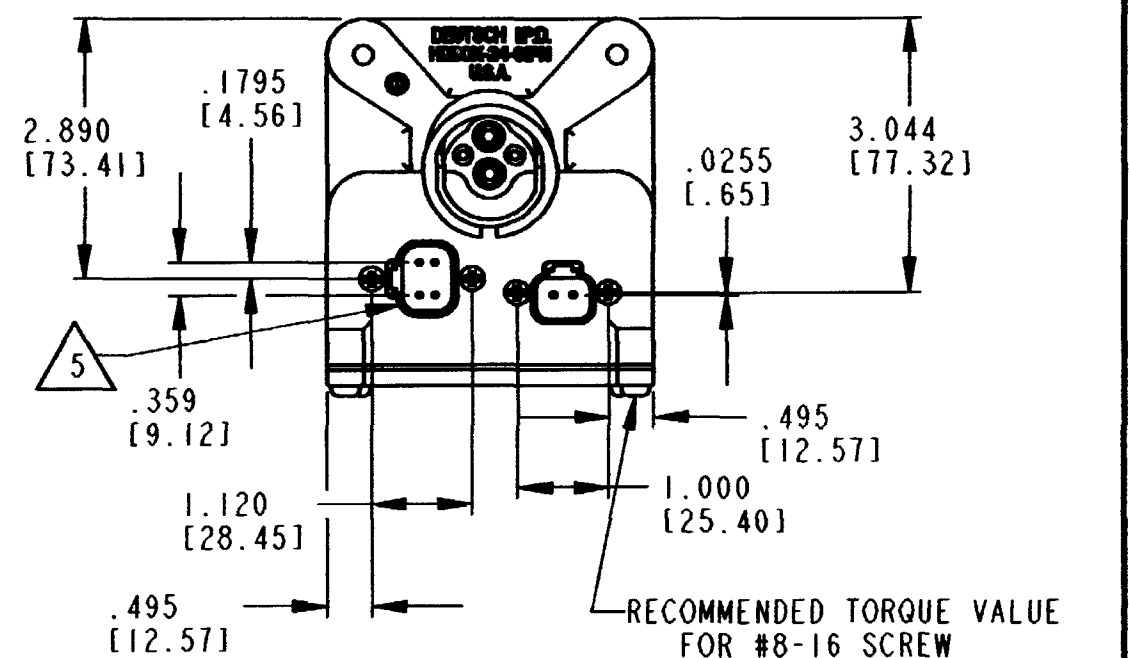
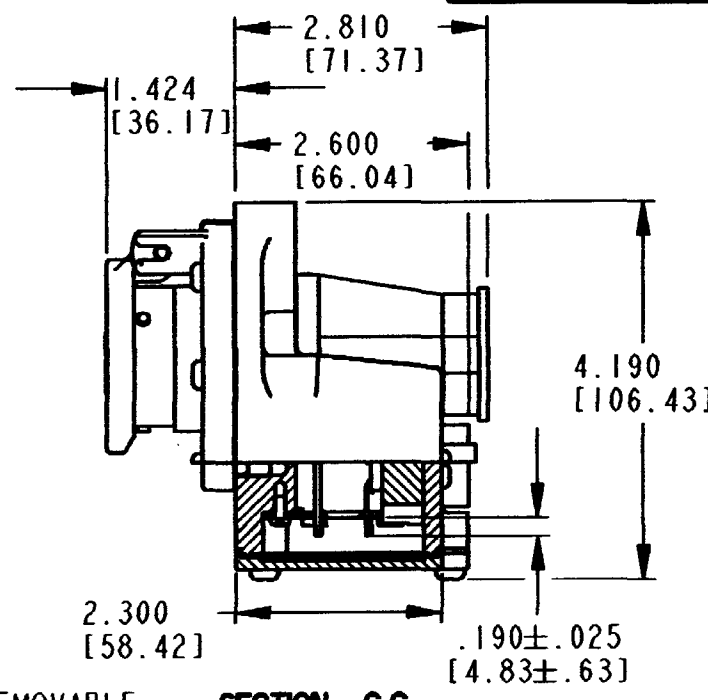
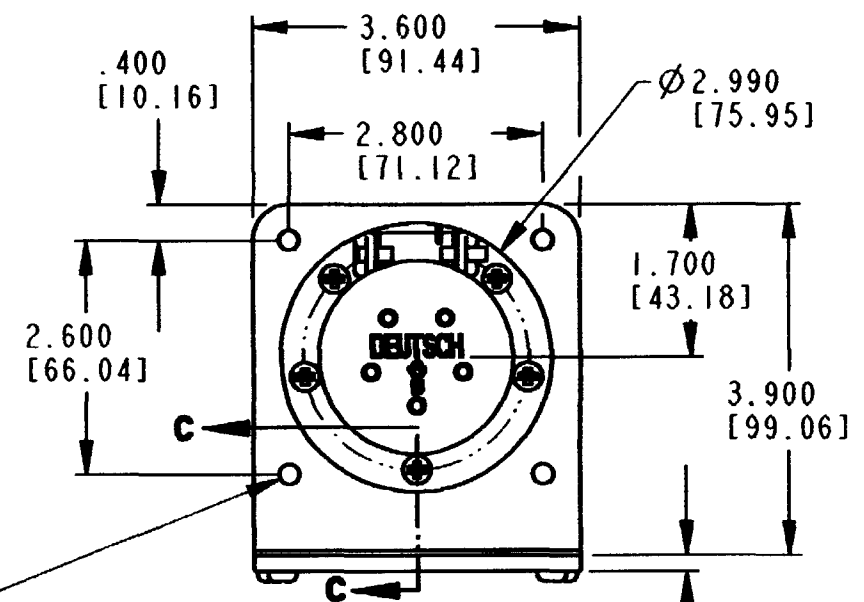
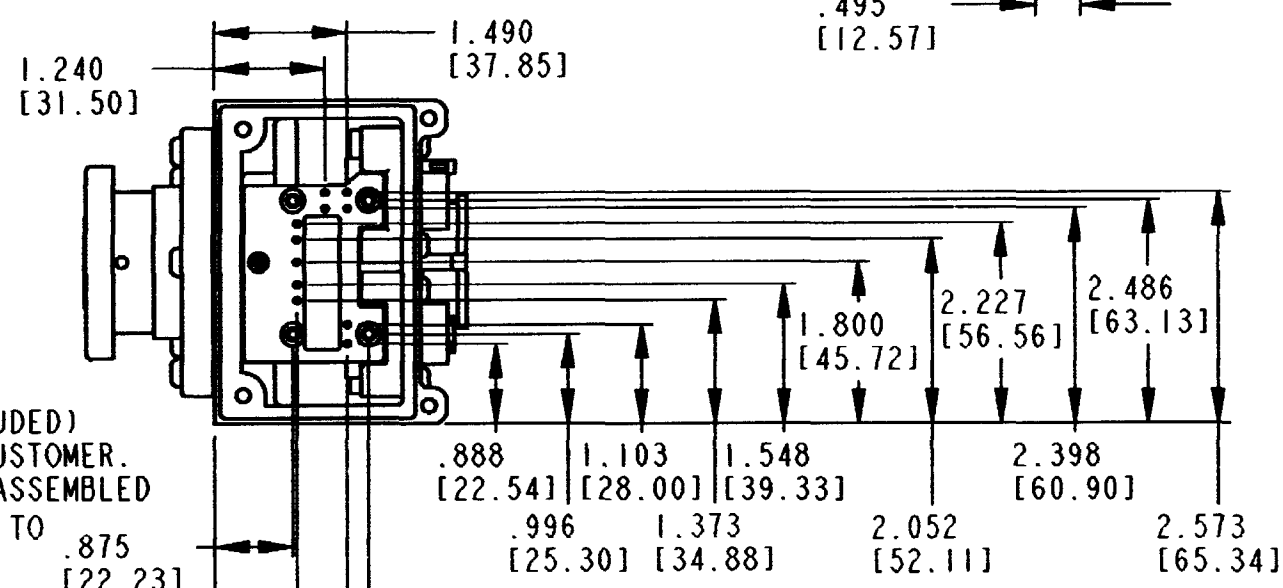
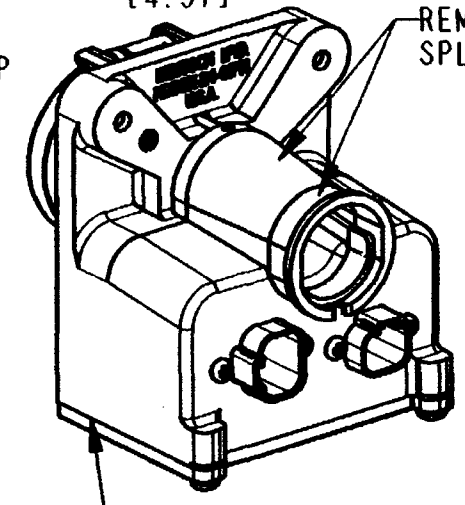
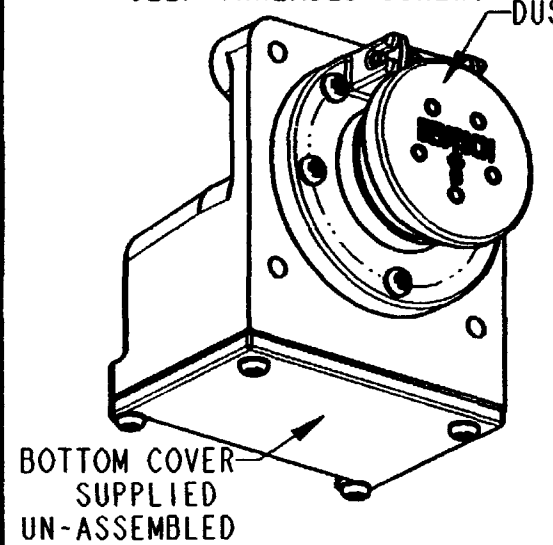


REV
F HDBOX-24-91PN

REVISIONS			
SYM	DESCRIPTION	DATE	APPROVED
C	REVISED PER E.O. P16452	4/18/00	C. WOODRUFF
D	REVISED PER E.O. P17957	11/22/02	R.D.R.
E	REVISED PER E.O. P18414	12/16/03	R.D.R.
F	REVISED PER E.O. P19594	7-30-07	RDR



Ø.224 [5.68] THRU. Ø.213 [5.40]
BLIND HOLE .600 [15.24] DEEP
SUITABLE FOR M6 x 1.0
SELF THREADED SCREW.



RECOMMENDED TORQUE VALUE
FOR #8-16 SCREW
(4PCS THRU COVER)
IS 38-44 IN/LBS.
BOTTOM COVER AND SCREWS ARE
SHIPPED UN-ASSEMBLED

6. USE REMOVAL TOOL 0411-353-0805 WHEN REQUIRED TO REMOVE CONTACT FROM CAVITY NO.1
5. CONTACT PLATING: ENGAGEMENT END GOLD PLATE
P.C.B. END TIN PLATE
4. MATING CONNECTORS: HDB36-24-91SN-059, DT06-2S*, DT06-4S*.
3. CONSULT FACTORY FOR MATERIAL AND ELECTRICAL SPECIFICATION.
2. TOLERANCES: LOCATION OF CONTACTS = ±.003 [.08]
LOCATION OF HOLES = ±.005 [.13]
OTHERS = ±.015 [.38]
- NOTES:
1. DIMENSIONS ARE IN INCHES [MILLIMETERS]

SIGNATURE & DATE	
DR	J. APOSTOL 03 JAN 00
CHK	[Signature] 7/30/07
PE	[Signature]
APPD	[Signature] 7-27-07
SCALE	1:2 WT

MOUNTING BOX FOR
HD34-24-91PN RECPT. AND
DT13-2P AND DT13-4P
RECEPTACLES

ENVELOPE

CP	MATL. CODE
The Deutsch Company DEUTSCH I.P.D. 3850 INDUSTRIAL AVE. HEMET, CALIF. 92545	
B HDBOX-24-91PN	
DWG SIZE	CODE 11139 SHEET 1 OF 1