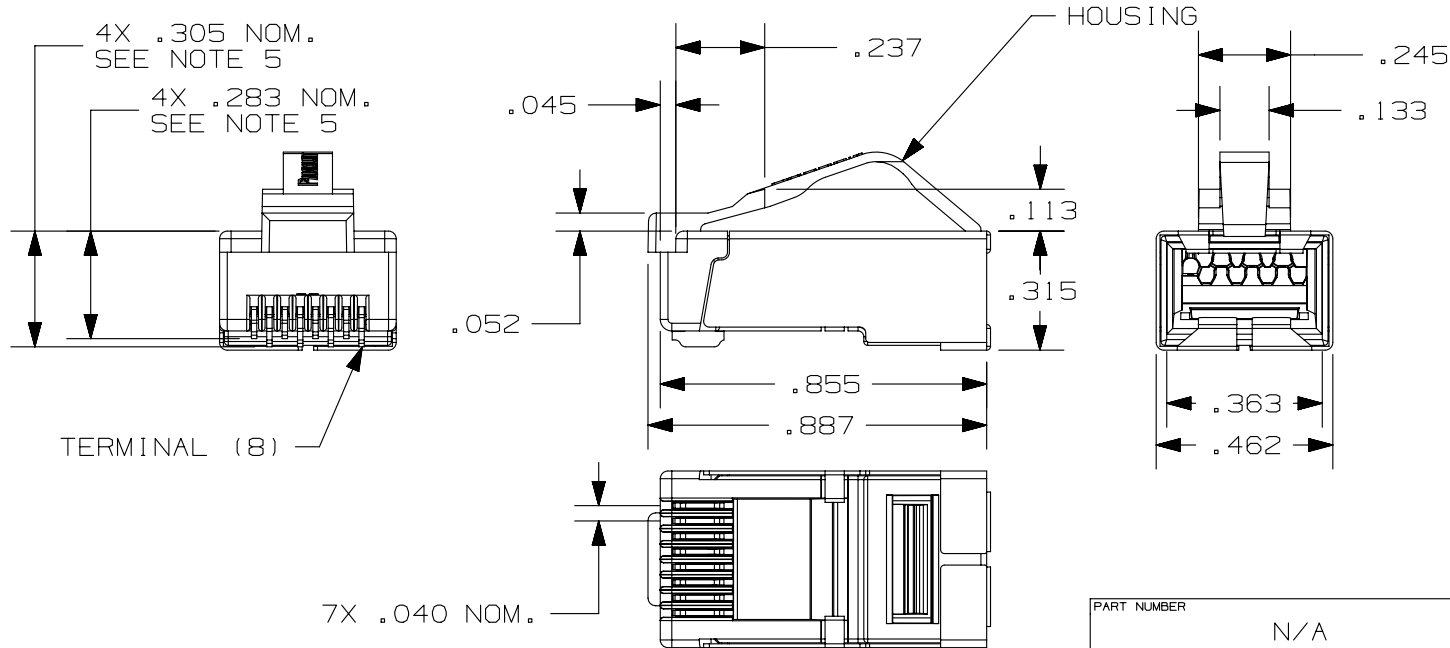


THIS COPY IS PROVIDED ON A RESTRICTED BASIS AND IS NOT TO BE USED IN ANY WAY DETRIMENTAL TO THE INTERESTS OF PANDUIT CORP.

NOTES:

1. PART NUMBER: SEE TABLE.
2. MATERIAL: HOUSING - THERMOPLASTIC UL94V-0 RATED; TERMINAL - PHOSPHOR BRONZE ELECTRO-POLISHED AND PLATED WITH .000050" MIN. GOLD IN MATING AREA, GOLD FLASH OVER REMAINDER, .000100" MIN. NICKEL UNDERPLATE. SHIELD - CATRIDGE BRASS WITH .000100" MIN. OF NICKEL.
3. PLUG ACCEPTS 4-PAIR CABLE .210"-.250" DIAMETER CABLE WITH 24-26 AWG STRANDED OR SOLID CONDUCTOR WITH MAXIMUM INSULATOR DIAMETER OF .040"
4. ALL DIMENSIONS MAXIMUM UNLESS OTHERWISE SPECIFIED.
5. TERMINATED CONTACT HEIGHT: $.237 \pm .005$ ".

PART NO.	PACKAGED	WEIGHT
MPS588-C	100/BAG	.55 LB/100 PCS (250 g/100 PCS)



PART NUMBER	N/A	PRODUCT SPEC/PKG SPEC	N/A
I.I. NUMBER	N/A	WORK INSTRUCTION	N/A

TITLE
SHIELDED PAN-PLUG HIGH PERFORMANCE MODULAR PLUG
 CUSTOMER DRAWING

ITEM REVISION NAME
D35123AN/03

DATASET FILE NAME
D35123AN_DC19/03A



UNLESS OTHERWISE SPECIFIED, DIMENSIONAL TOLERANCES ARE: IN (mm)
 .x ± .1 [2.54] .xxx ± .005 [.127]
 .xx ± .01 [.25] ANGLES ± 5 °

DRAWING NUMBER:
35123-19

DRAWN BY	DATE	CHK	SCALE	DRAWING NUMBER	SIZE
LZ	11-14-00	RAV	1 TO 1	SHT 1 OF 1	A

REV	DATE	BY	CHK	APR	DESCRIPTION	ECN
5	9/5/13	BJN	SCAL	EJH	UPDATED REVISED & REDRAWN PREVIOUS REVS REMVD FOR CLARITY	35123-19

D10100DA/14