

SHIELDED MODULAR JACK SHOWN WITH PANEL GROUND OPTION 'D' AND FRONT PCB GROUND TABS.

NOTES:

1) MATERIAL:

HOUSING: NYLON(PA), GLASS FILLED, UL94V-0, COLOR: SEE SHEETS 5 AND 6
 INSULATOR: NYLON(PA), GLASS FILLED, UL94V-0, COLOR: SEE SHEETS 5 AND 6
 TERMINALS: PHOSPHOR BRONZE, .012/ 0.30 THICK
 SHIELD: BRASS, .007/ 0.18 THICK

2) FINISH:

TERMINALS:

A = SELECT GOLD IN CONTACT AREA: 50 MICROINCHES / 1.27 MICROMETERS MIN.,
 *SELECT TIN IN PC TAIL AREA: 100 MICROINCHES / 2.54 MICROMETERS MIN.,
 WITH OVERALL NICKEL UNDERPLATE: 50 MICROINCHES / 1.27 MICROMETERS MIN.
 B = SELECT GOLD IN CONTACT AREA: 30 MICROINCHES / 0.76 MICROMETERS MIN.,
 *SELECT TIN IN PC TAIL AREA: 100 MICROINCHES / 2.54 MICROMETERS MIN.,
 WITH OVERALL NICKEL UNDERPLATE: 50 MICROINCHES / 1.27 MICROMETERS MIN.
 *THE PRIMARY SHIPPING CARTON WILL BE LABELED "COMPLIANT TO RoHS
 DIRECTIVE 2002/95/EC AND ELV ANNEX II OF DIRECTIVE 2000/53/EC".
 CARTONS WITHOUT THIS LABEL MAY CONTAIN PRODUCT WITH TIN-LEAD
 IN THE PC TAILS AND/OR SHIELD.

SHIELD:

100 MICROINCHES / 2.54 MICROMETERS NICKEL OVER 50 MICROINCHES / 1.27
 MICROMETERS COPPER UNDERPLATE PCB GROUND TABS DIPPED IN TIN

3) PRODUCT SPECIFICATION AND PROCESSING PARAMETERS: PS-43202.

4) PACKAGING SPECIFICATION:

UNSHIELDED CONNECTOR ASSEMBLIES PACKAGED IN THERMOFORMED TRAYS
 PER MOLEX PACKAGING SPECIFICATION PK-43202-003.
 UNSHIELDED CONNECTOR ASSEMBLIES PACKAGED IN TUBES
 PER MOLEX PACKAGING SPECIFICATION PK-43202-005.
 SHIELDED CONNECTOR ASSEMBLIES PACKAGED IN THERMOFORMED TRAYS
 PER MOLEX PACKAGING SPECIFICATION PK-43202-004.

5) SEE SHEETS 7 - 9 FOR P.C. BOARD LAYOUTS.

6) CONFORMS TO FCC REGULATION PART 68.5 FOR MODULAR JACKS.

7) THIS PART CONFORMS TO CLASS B REQUIREMENTS OF COSMETIC
 SPECIFICATION PS-45499-002.

DRAWING LEGEND

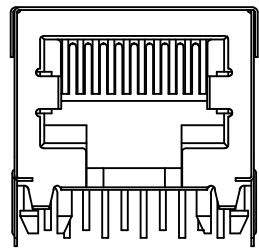
- SHEET 1- NOTES, DRAWING LEGEND
- SHEET 2- SHIELDED MODULAR JACK W/ BOTTOM GROUND TABS
- SHEET 3- SHIELDED MODULAR JACK W/O BOTTOM GROUND TABS
- SHEET 4- UNSHIELDED MODULAR JACK
- SHEET 5- PART NUMBER CHARTS
- SHEET 6- PART NUMBER CHARTS
- SHEET 7- FOOTPRINT LAYOUT FOR 4 POSITION HOUSING
- SHEET 8- FOOTPRINT LAYOUT FOR 6 POSITION HOUSING
- SHEET 9- FOOTPRINT LAYOUT FOR 8 POSITION HOUSING

OBSOLETE PN EC NO: UCP2017-0615 DRWNAFENG02 CHKD: APPR:KLANG 2016/09/16 2016/09/28 REV: L6	QUALITY SYMBOLS	GENERAL TOLERANCES (UNLESS SPECIFIED)	DIMENSION STYLE	SCALE	DESIGN UNITS	THIRD ANGLE PROJECTION
	▽=0	mm INCH	IN/MM	4:1	INCH	
	▽=0	4 PLACES ± --- ± ---	DRAWN BY DATE	TITLE ULTRA LOW PROFILE RIGHT ANGLE MODULAR JACK ASSEMBLY		
	▽=0	3 PLACES ± --- ± .010	CHECKED BY DATE			
	2 PLACES ± 0.25 ± .014	JTR 1993/03/31	MOLEX INCORPORATED SDA-43202			
	1 PLACE ± 0.36 ± ---	JTR 1993/03/31				
	ANGULAR ± 1/2°	APPROVED BY DATE	SHEET NO. 1 OF 9			
		FSMITH 2012/02/09	DOCUMENT NO.			
			THIS DRAWING CONTAINS INFORMATION THAT IS PROPRIETARY TO MOLEX INCORPORATED AND SHOULD NOT BE USED WITHOUT WRITTEN PERMISSION			

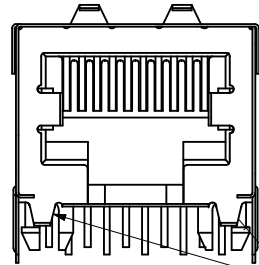
SHIELDED MODULAR JACK W/BOTTOM GROUND TABS

SIZE 8 LOADED 10 VERSION SHOWN

SIDE/TOP GROUND TAB OPTIONS FOR SHIELDS



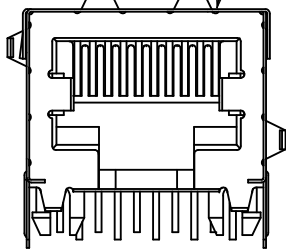
OPTION "A"
NO TOP OR SIDE TABS



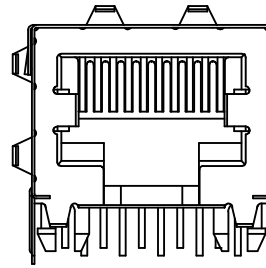
OPTION "B"
TOP TABS
BOTTOM GROUND TABS

OPTIONAL TOP GROUND TABS

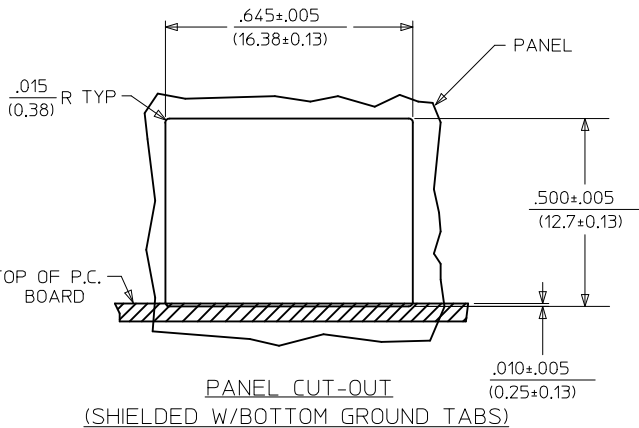
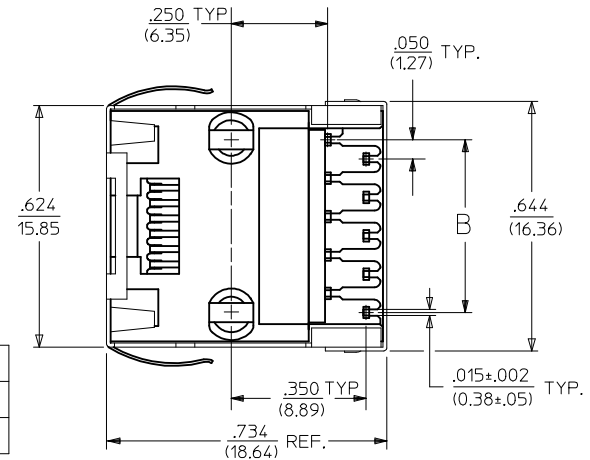
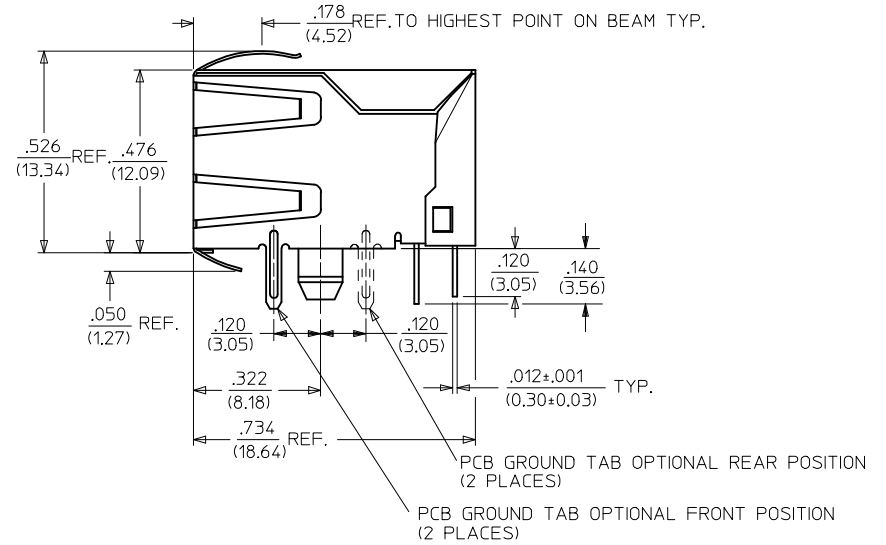
SHIELDED MODULAR JACK ASSEMBLY
SEE SHEET 5 FOR MATERIAL NO.



OPTION "C"
TOP AND STAGGERED SIDE TABS



OPTION "D"
TOP AND SIDE TABS
OPTIONAL SIDE GROUND TABS (2 PLACES)



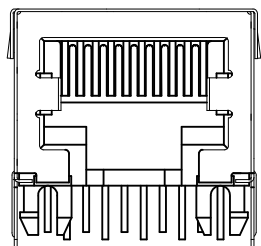
HOUSING SIZE	CIRCUIT SIZE	B
8	10	.450±.005 11.43±.13
8	8	.350±.005 8.89±.13

SEE SHEET 1 EC NO: UCP2017-0615 DRWNAFENG02 2016/09/16 CHKD: APPR:KLANG 2016/09/28 L6 REV	QUALITY SYMBOLS ∇=0 ∇=0 ∇=0	GENERAL TOLERANCES (UNLESS SPECIFIED) mm INCH 4 PLACES ± --- ± --- 3 PLACES ± --- ± .010 2 PLACES ± 0.25 ± .014 1 PLACE ± 0.36 ± --- ANGULAR ± 1/2°	DIMENSION STYLE IN/MM DRAWN BY DATE JTR 1993/03/31 CHECKED BY DATE JTR 1993/03/31 APPROVED BY DATE FSMITH 2012/02/09	SCALE 4:1 DESIGN UNITS INCH THIRD ANGLE PROJECTION	TITLE ULTRA LOW PROFILE RIGHT ANGLE MODULAR JACK ASSEMBLY MOLEX INCORPORATED DOCUMENT NO. SDA-43202 SHEET NO. 2 OF 9
	DRAFT WHERE APPLICABLE MUST REMAIN WITHIN DIMENSIONS		MATERIAL NO. SEE SHEET 5	THIS DRAWING CONTAINS INFORMATION THAT IS PROPRIETARY TO MOLEX INCORPORATED AND SHOULD NOT BE USED WITHOUT WRITTEN PERMISSION	

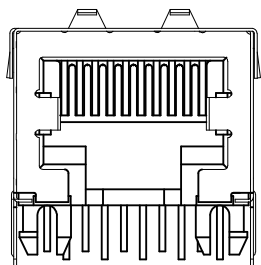
SHIELDED MODULAR JACK W/O BOTTOM GROUND TABS

SIZE 8, LOADED 10 VERSION SHOWN

SIDE/TOP GROUND TAB OPTIONS FOR SHIELDS



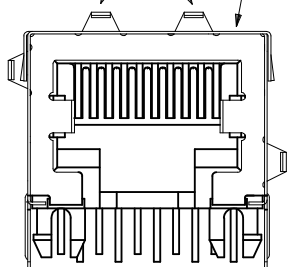
OPTION "E"
NO TOP OR SIDE TABS



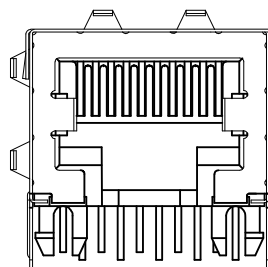
OPTION "F"
TOP TABS

OPTIONAL TOP GROUND TABS

SHIELDED MODULAR JACK ASSEMBLY
SEE SHEET 6 FOR MATERIAL NO.

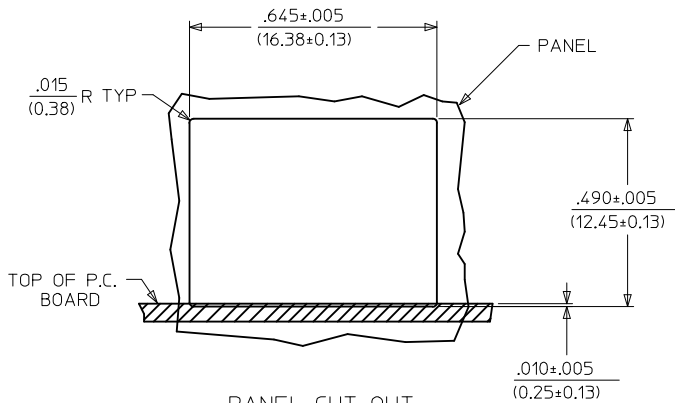


OPTION "G"
TOP AND STAGGERED SIDE TABS



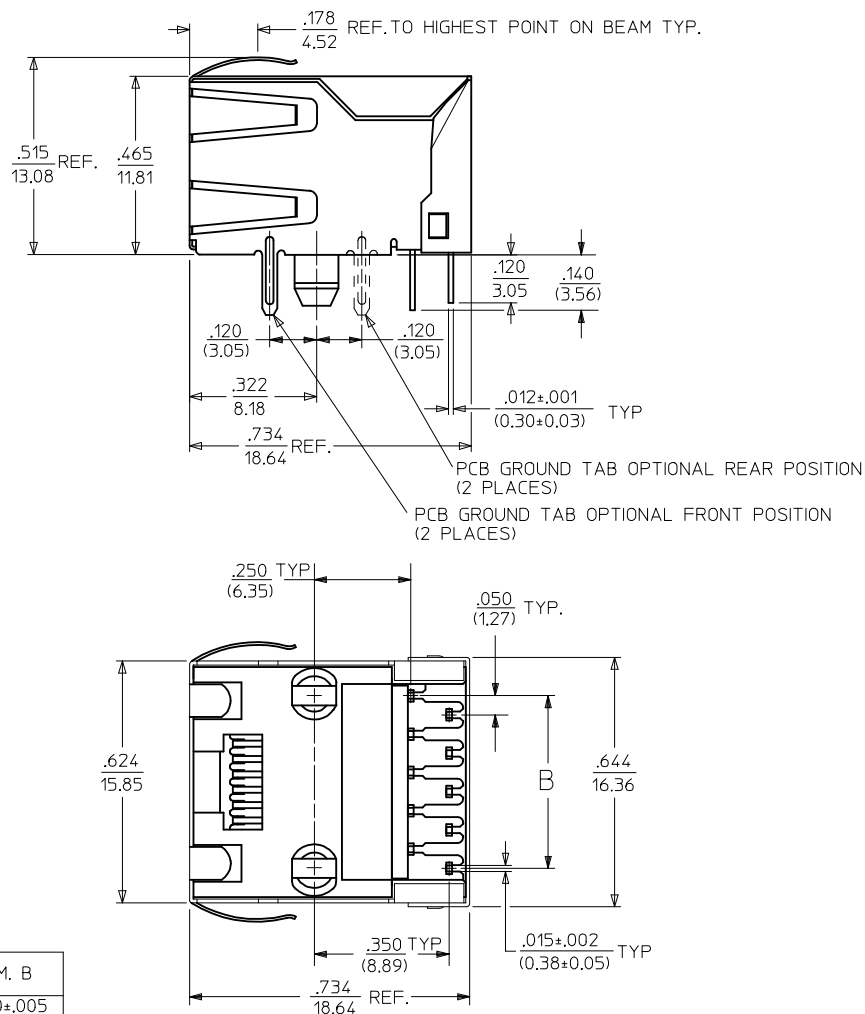
OPTION "H"
TOP AND SIDE TABS

OPTIONAL SIDE
GROUND TABS
(2 PLACES)

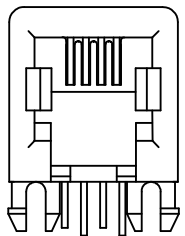


PANEL CUT-OUT
(SHIELDED W/O BOTTOM GROUND TABS)

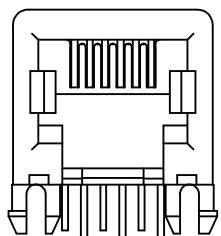
HOUSING SIZE	CIRCUIT SIZE	DIM. B
8	10	.450±.005 (11.43±0.13)
8	8	.350±.005 (8.89±0.13)



SEE SHEET 1 EC NO: UCP2017-0615 DRWNAFENG02 2016/09/16 CHKD: APPR:KLANG 2016/09/28	QUALITY SYMBOLS ▽=0 ▽=0 ▽=0	GENERAL TOLERANCES (UNLESS SPECIFIED)		DIMENSION STYLE IN/MM		SCALE 4:1	DESIGN UNITS INCH	THIRD ANGLE PROJECTION
		DRAWN BY JTR		DATE 1993/03/31		TITLE ULTRA LOW PROFILE RIGHT ANGLE MODULAR JACK ASSEMBLY		
DESCRIPTION		CHECKED BY JTR		DATE 1993/03/31		MATERIAL NO. SDA-43202		
REV L6		APPROVED BY FSMITH		DATE 2012/02/09		MATERIAL NO. SDA-43202		
DRAFT WHERE APPLICABLE MUST REMAIN WITHIN DIMENSIONS		SEE SHEET 6		SIZE C		SHEET NO. 3 OF 9		
THIS DRAWING CONTAINS INFORMATION THAT IS PROPRIETARY TO MOLEX INCORPORATED AND SHOULD NOT BE USED WITHOUT WRITTEN PERMISSION								



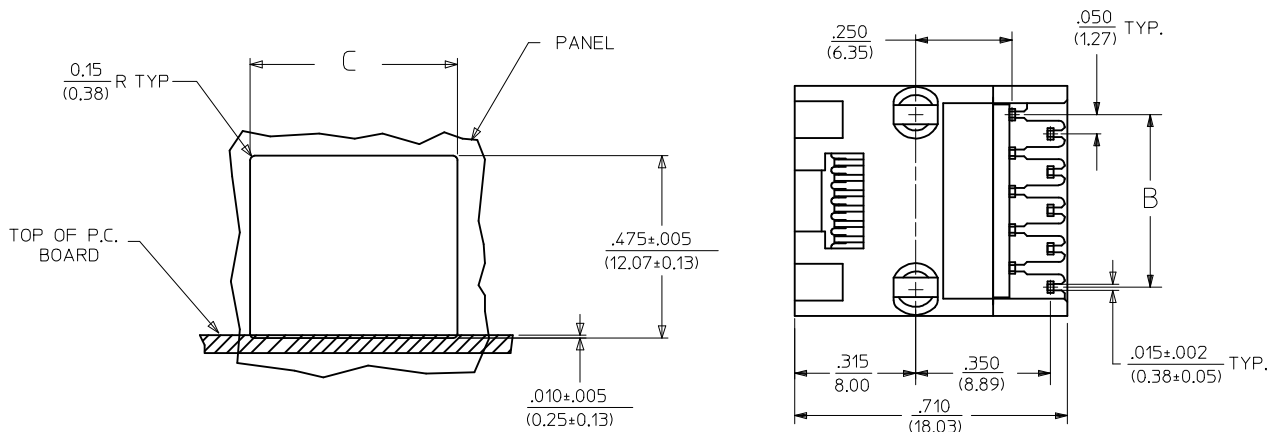
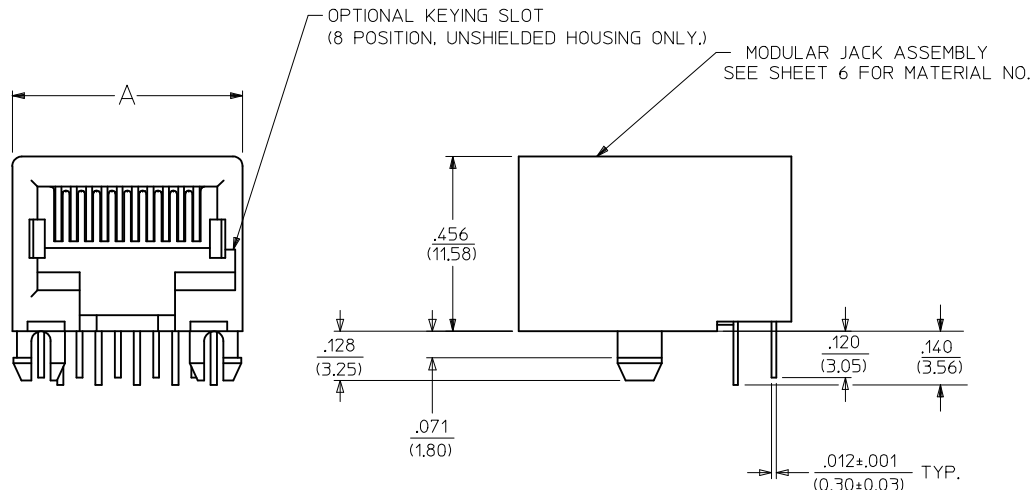
SIZE 4
LOADED 4 SHOWN



SIZE 6
LOADED 6 SHOWN

UNSHIELDED MODULAR JACKS

SIZE 8, LOADED 10 SHOWN



HOUSING SIZE	LOADED CIRCUITS	A	B	C
4	4	.440 (11.18)	.150±.005 (3.81±0.13)	.460±.005 (11.68±0.13)
4	2	.440 (11.18)	.050±.005 (1.27±0.13)	.460±.005 (11.68±0.13)
6	6	.520 (13.21)	.250±.005 (6.35±0.13)	.540±.005 (13.72±0.13)
6	4	.520 (13.21)	.150±.005 (3.81±0.13)	.540±.005 (13.72±0.13)
6	2	.520 (13.21)	.050±.005 (1.27±0.13)	.540±.005 (13.72±0.13)
8	10	.600 (15.24)	.450±.005 (11.43±0.13)	.620±.005 (15.75±0.13)
8	8	.600 (15.24)	.350±.005 (8.89±0.13)	.620±.005 (15.75±0.13)
8	6	.600 (15.24)	.250±.005 (6.35±0.13)	.620±.005 (15.75±0.13)
8	4	.600 (15.24)	.150±.005 (3.81±0.13)	.620±.005 (15.75±0.13)
8	2	.600 (15.24)	.050±.005 (1.27±0.13)	.620±.005 (15.75±0.13)

PANEL CUT-OUT (UNSHIELDED)

SEE SHEET 1 EC NO: UCP2017-0615 DRWNAFENG02 2016/09/16 CHKD: APPR:KLANG 2016/09/28 L6 REV	QUALITY SYMBOLS ▽=0 ▽=0 ▽=0	GENERAL TOLERANCES (UNLESS SPECIFIED) <table border="1"> <tr> <th></th> <th>mm</th> <th>INCH</th> </tr> <tr> <td>4 PLACES ±</td> <td>---</td> <td>±---</td> </tr> <tr> <td>3 PLACES ±</td> <td>---</td> <td>±.010</td> </tr> <tr> <td>2 PLACES ±</td> <td>0.25</td> <td>±.014</td> </tr> <tr> <td>1 PLACE ±</td> <td>0.36</td> <td>±---</td> </tr> </table>		mm	INCH	4 PLACES ±	---	±---	3 PLACES ±	---	±.010	2 PLACES ±	0.25	±.014	1 PLACE ±	0.36	±---	DIMENSION STYLE IN/MM	SCALE 4:1	DESIGN UNITS INCH	THIRD ANGLE PROJECTION
		mm	INCH																		
	4 PLACES ±	---	±---																		
	3 PLACES ±	---	±.010																		
2 PLACES ±	0.25	±.014																			
1 PLACE ±	0.36	±---																			
DRAFT WHERE APPLICABLE MUST REMAIN WITHIN DIMENSIONS		SEE SHEET 6	TITLE ULTRA LOW PROFILE RIGHT ANGLE MODULAR JACK ASSEMBLY	MOLEX INCORPORATED																	
		MATERIAL NO.	DOCUMENT NO.	SDA-43202	SHEET NO. 4 OF 9																
THIS DRAWING CONTAINS INFORMATION THAT IS PROPRIETARY TO MOLEX INCORPORATED AND SHOULD NOT BE USED WITHOUT WRITTEN PERMISSION																					

SHIELDED MODULAR JACKS W/BOTTOM GROUND TABS (SHEET 2)								
NOT TOOLED "X"	ASSEMBLY MATERIAL NUMBER	CONNECTOR SIZE	NUMBER OF CIRCUITS	SIDE/TOP PANEL GROUND TAB OPTION	PCB GROUND TAB OPTION	TERMINAL PLATING OPTION	PACKAGING OPTION	HOUSING COLOR
X	43202-8900	8	10	A	FRONT POSITION	A	TRAY	BLACK
X	43202-8901	8	10	B	FRONT POSITION	A	TRAY	
X	43202-8902	8	10	C	FRONT POSITION	A	TRAY	
X	43202-8903	8	10	D	FRONT POSITION	A	TRAY	
X	43202-8908	8	10	A	REAR POSITION	A	TRAY	
X	43202-8909	8	10	B	REAR POSITION	A	TRAY	
X	43202-8910	8	10	C	REAR POSITION	A	TRAY	
	43202-8911	8	10	D	REAR POSITION	A	TRAY	
	43202-8916	8	8	A	FRONT POSITION	A	TRAY	
	43202-8917	8	8	B	FRONT POSITION	A	TRAY	
X	43202-8918	8	8	C	FRONT POSITION	A	TRAY	
	43202-8919	8	8	D	FRONT POSITION	A	TRAY	
	43202-8924	8	8	A	REAR POSITION	A	TRAY	
X	43202-8925	8	8	B	REAR POSITION	A	TRAY	
X	43202-8926	8	8	C	REAR POSITION	A	TRAY	
	43202-8927	8	8	D	REAR POSITION	A	TRAY	

SEE SHEET 1 EC NO: UCP2017-0615 DRWNAFENG02 2016/09/16 CHKD: APPR:KLANG 2016/09/28 REV L6	QUALITY SYMBOLS	GENERAL TOLERANCES (UNLESS SPECIFIED)	DIMENSION STYLE	SCALE	DESIGN UNITS	THIRD ANGLE PROJECTION
	$\nabla = 0$ $\nabla = 0$ $\nabla = 0$	mm INCH 4 PLACES ± --- ± --- 3 PLACES ± --- ± .010 2 PLACES ± 0.25 ± .014 1 PLACE ± 0.36 ± --- ANGULAR ± 1/2°	IN/MM	4:1	INCH	
		DRAFT WHERE APPLICABLE MUST REMAIN WITHIN DIMENSIONS	DRAWN BY DATE JTR 1993/03/31 CHECKED BY DATE JTR 1993/03/31 APPROVED BY DATE FSMITH 2012/02/09	TITLE ULTRA LOW PROFILE RIGHT ANGLE MODULAR JACK ASSEMBLY		
			MATERIAL NO. SEE CHART SIZE C	MOLEX INCORPORATED SDA-43202		SHEET NO. 5 OF 9

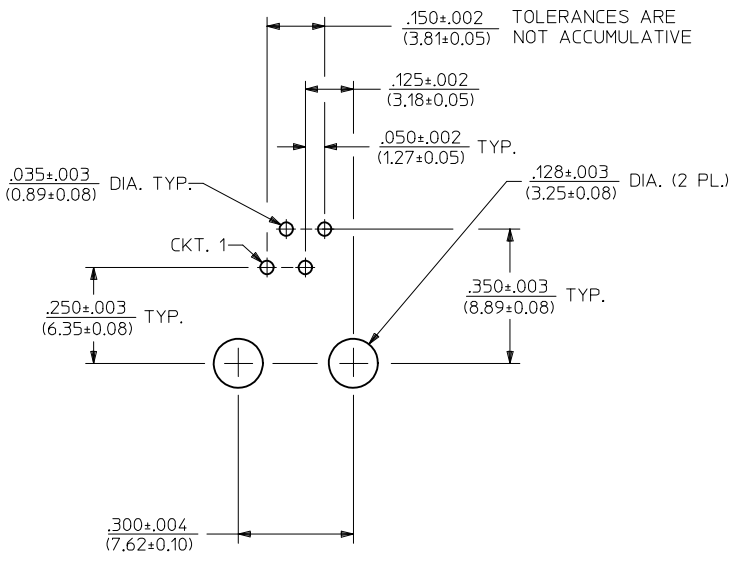
SHIELDED MODULAR JACKS W/O BOTTOM GROUND TABS (SHEET 3)

NOT TOOLED "X"	ASSEMBLY MATERIAL NUMBER	CONNECTOR SIZE	NUMBER OF CIRCUITS	SIDE/TOP PANEL GROUND TAB OPTION	PCB GROUND TAB OPTION	TERMINAL PLATING OPTION	PACKAGING	HOUSING COLOR
X	43202-8800	8	10	E	FRONT POSITION	A	TRAY	BLACK
X	43202-8801	8	10	F	FRONT POSITION	A	TRAY	
X	43202-8802	8	10	G	FRONT POSITION	A	TRAY	
X	43202-8803	8	10	H	FRONT POSITION	A	TRAY	
X	43202-8808	8	10	E	REAR POSITION	A	TRAY	
X	43202-8809	8	10	F	REAR POSITION	A	TRAY	
X	43202-8810	8	10	G	REAR POSITION	A	TRAY	
X	43202-8811	8	10	H	REAR POSITION	A	TRAY	
	43202-8816	8	8	E	FRONT POSITION	A	TRAY	
	43202-8817	8	8	F	FRONT POSITION	A	TRAY	
	43202-8818	8	8	G	FRONT POSITION	A	TRAY	
	43202-8819	8	8	H	FRONT POSITION	A	TRAY	
	43202-8824	8	8	E	REAR POSITION	A	TRAY	
	43202-8825	8	8	F	REAR POSITION	A	TRAY	
X	43202-8826	8	8	G	REAR POSITION	A	TRAY	
	43202-8827	8	8	H	REAR POSITION	A	TRAY	

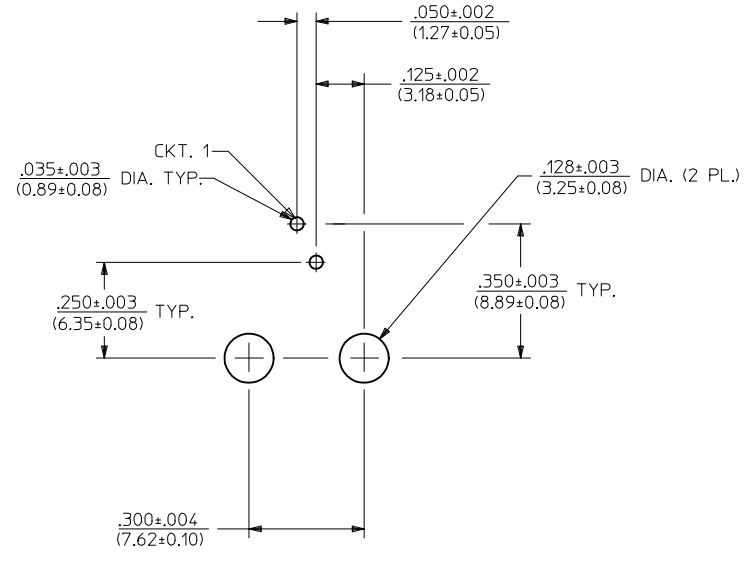
UNSHIELDED MODULAR JACKS- (SHEET 4)

NOT TOOLED "X"	ASSEMBLY MATERIAL NUMBER	CONNECTOR SIZE	NUMBER OF CIRCUITS	TERMINAL PLATING OPTION	KEYING OPTION	PACKAGING OPTION	HOUSING COLOR	
X	43202-4101	4	4	A	NO	TRAY	BLACK	
X	43202-4104	4	2	A	NO	TRAY		
X	43202-6101	6	6	A	NO	TRAY		
X	43202-6102	6	6	B	NO	TRAY		
X	43202-6104	6	4	A	NO	TRAY		
X	43202-6105	6	4	B	NO	TRAY		
X	43202-6107	6	2	A	NO	TRAY		
X	43202-6110	6	6	B	NO	TUBE		
X	43202-6113	6	2	A	NO	TRAY		ORANGE
X	43202-6116	6	2	A	NO	TRAY		GREEN
	43202-8101	8	10	A	NO	TRAY	BLACK	
	43202-8104	8	8	A	NO	TRAY		
X	43202-8105	8	8	B	NO	TRAY		
X	43202-8113	8	8	A	YES	TRAY		
X	43202-8116	8	6	A	NO	TRAY		
X	43202-8119	8	4	A	NO	TRAY		
X	43202-8122	8	2	A	NO	TRAY		
X	43202-8125	8	8	A	NO	TRAY		BLUE
X	43202-8504	8	8	A	NO	TUBE		BLACK
X	43202-8513	8	8	A	YES	TUBE		

SEE SHEET 1 EC NO: UCP2017-0615 DRWNAFENG02 2016/09/16 CHKD: APPR:KLANG L6	2016/09/28 DESCRIPTION QUALITY SYMBOLS ▽=0 ▽=0 ▽=0	GENERAL TOLERANCES (UNLESS SPECIFIED)		DIMENSION STYLE IN/MM		SCALE 4:1	DESIGN UNITS INCH	THIRD ANGLE PROJECTION	
		4 PLACES ± --- ± --- 3 PLACES ± --- ± .010 2 PLACES ± 0.25 ± .014 1 PLACE ± 0.36 ± ---		DRAWN BY JTR	DATE 1993/03/31	TITLE ULTRA LOW PROFILE RIGHT ANGLE MODULAR JACK ASSEMBLY			
		ANGULAR ±1/2°		CHECKED BY JTR	DATE 1993/03/31				
		DRAFT WHERE APPLICABLE MUST REMAIN WITHIN DIMENSIONS		APPROVED BY FSMITH		DATE 2012/02/09	MATERIAL NO. SEE CHART		DOCUMENT NO. SDA-43202
THIS DRAWING CONTAINS INFORMATION THAT IS PROPRIETARY TO MOLEX INCORPORATED AND SHOULD NOT BE USED WITHOUT WRITTEN PERMISSION									



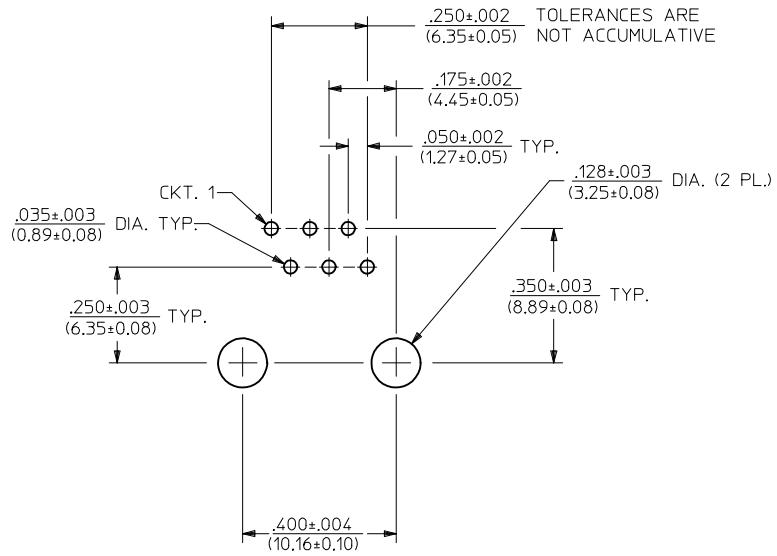
PC BOARD LAYOUT FOR 4 POSITION HOUSING
(4 CIRCUIT FOOT PRINT SHOWN)
(COMPONENT SIDE OF BOARD)



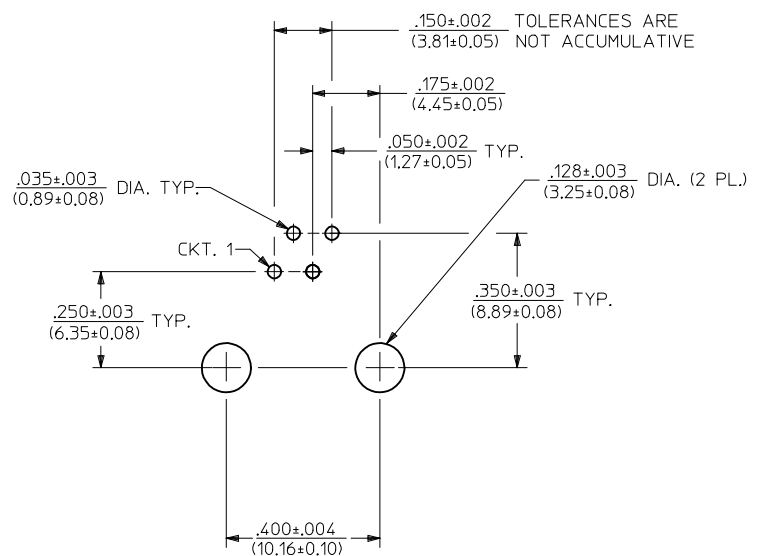
PC BOARD LAYOUT FOR 4 POSITION HOUSING
(2 CIRCUIT FOOT PRINT SHOWN)
(COMPONENT SIDE OF BOARD)

NOTES:
1. RECOMMENDED PCB THICKNESS: .062±.005/(1.57±0.13)

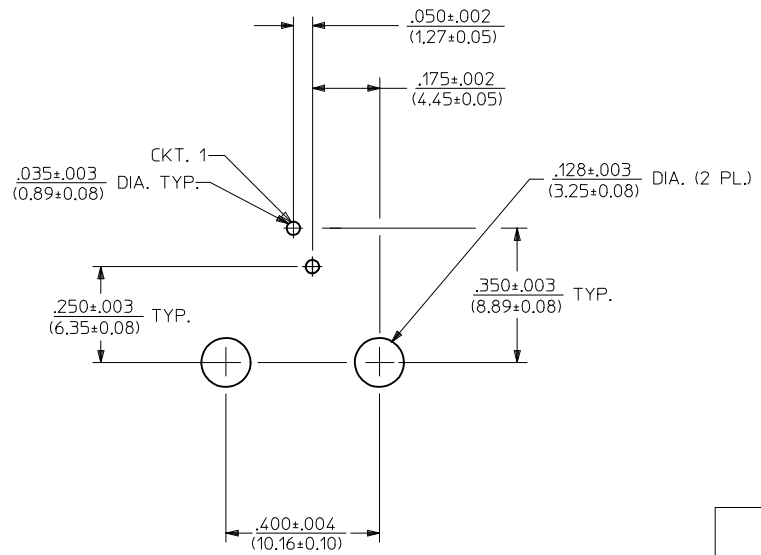
SEE SHEET 1 EC NO: UCP2017-0615 DRW:AFENG02 2016/09/16 CHKD: APPR:KLANG 2016/09/28	QUALITY SYMBOLS	GENERAL TOLERANCES (UNLESS SPECIFIED)	DIMENSION STYLE	SCALE	DESIGN UNITS	THIRD ANGLE PROJECTION
	▽=0	mm INCH	IN/MM	4:1	INCH	
	▽=0	4 PLACES ± --- ± ---	DRAWN BY DATE	TITLE		
	▽=0	3 PLACES ± --- ±.010	JTR 1993/03/31	ULTRA LOW PROFILE RIGHT ANGLE MODULAR JACK ASSEMBLY		
		2 PLACES ±.025 ±.014	CHECKED BY DATE	MATERIAL NO. DOCUMENT NO.		
		1 PLACE ±.036 ± ---	JTR 1993/03/31	MOLLEX MOLEX INCORPORATED		
		ANGULAR ±1/2°	APPROVED BY DATE	SHEET NO.		
			FSMITH 2012/02/09	7 OF 9		
		DRAFT WHERE APPLICABLE MUST REMAIN WITHIN DIMENSIONS	SEE SHEET 6	SDA-43202		
L6			SIZE	THIS DRAWING CONTAINS INFORMATION THAT IS PROPRIETARY TO MOLEX INCORPORATED AND SHOULD NOT BE USED WITHOUT WRITTEN PERMISSION		



PC BOARD LAYOUT FOR 6 POSITION HOUSING
(6 CIRCUIT FOOT PRINT SHOWN)
(COMPONENT SIDE OF BOARD)



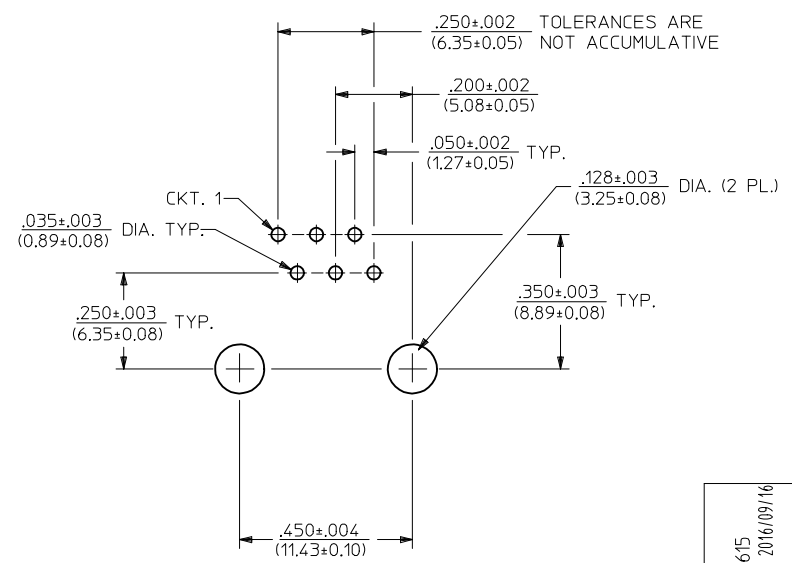
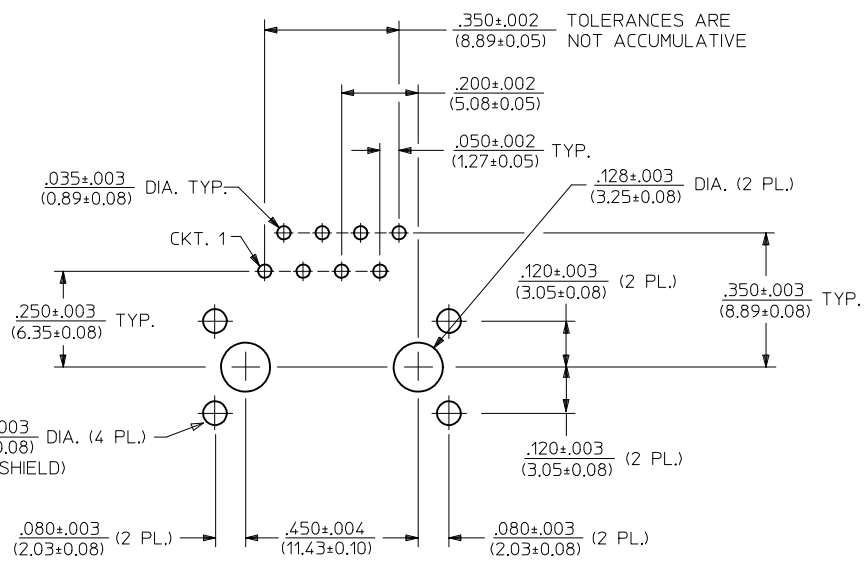
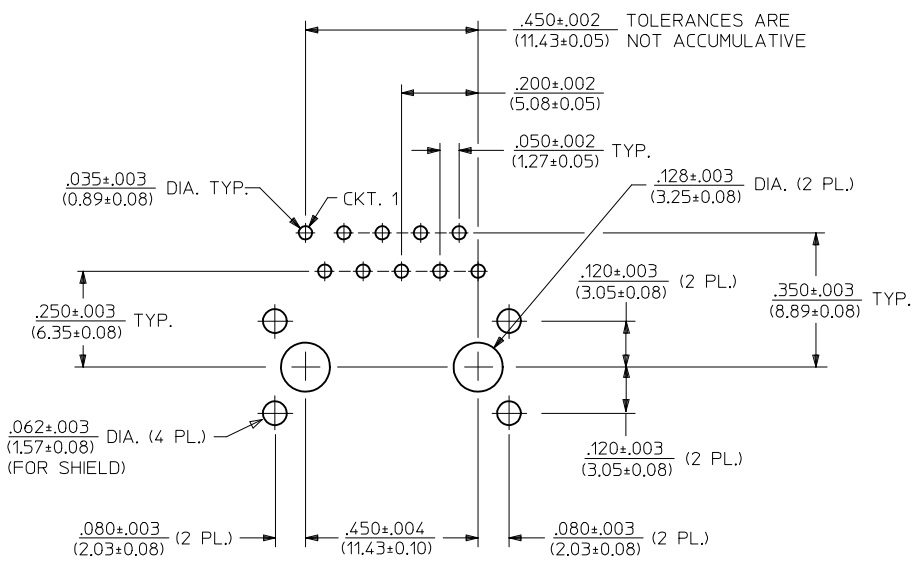
PC BOARD LAYOUT FOR 6 POSITION HOUSING
(4 CIRCUIT FOOT PRINT SHOWN)
(COMPONENT SIDE OF BOARD)



PC BOARD LAYOUT FOR 6 POSITION HOUSING
(2 CIRCUIT FOOT PRINT SHOWN)
(COMPONENT SIDE OF BOARD)

NOTES:
1. RECOMMENDED PCB THICKNESS: .062±.005/(1.57±0.13)

SEE SHEET 1 EC NO: UCP2017-0615 DRWNAFENG02 2016/09/16 CHKD: APPR:KLANG 2016/09/28 L6	QUALITY SYMBOLS ▽=0 ▽=0 ▽=0	GENERAL TOLERANCES (UNLESS SPECIFIED) <table border="1"> <tr> <th></th> <th>mm</th> <th>INCH</th> </tr> <tr> <td>4 PLACES</td> <td>±.010</td> <td>±.0004</td> </tr> <tr> <td>3 PLACES</td> <td>±.010</td> <td>±.0004</td> </tr> <tr> <td>2 PLACES</td> <td>±.025</td> <td>±.0010</td> </tr> <tr> <td>1 PLACE</td> <td>±.036</td> <td>±.0014</td> </tr> </table>		mm	INCH	4 PLACES	±.010	±.0004	3 PLACES	±.010	±.0004	2 PLACES	±.025	±.0010	1 PLACE	±.036	±.0014	DIMENSION STYLE IN/MM DRAWN BY DATE JTR 1993/03/31 CHECKED BY DATE JTR 1993/03/31 APPROVED BY DATE FSMITH 2012/02/09	SCALE 4:1 DESIGN UNITS INCH THIRD ANGLE PROJECTION	TITLE ULTRA LOW PROFILE RIGHT ANGLE MODULAR JACK ASSEMBLY MOLEX MOLEX INCORPORATED MATERIAL NO. SDA-43202 SHEET NO. 8 OF 9
		mm	INCH																	
	4 PLACES	±.010	±.0004																	
	3 PLACES	±.010	±.0004																	
2 PLACES	±.025	±.0010																		
1 PLACE	±.036	±.0014																		
DRAFT WHERE APPLICABLE MUST REMAIN WITHIN DIMENSIONS		SEE SHEET 6	THIS DRAWING CONTAINS INFORMATION THAT IS PROPRIETARY TO MOLEX INCORPORATED AND SHOULD NOT BE USED WITHOUT WRITTEN PERMISSION																	



NOTES:
1. RECOMMENDED PCB THICKNESS: .062 ± .005 / (1.57 ± 0.13)

PC BOARD LAYOUT FOR 8 POSITION HOUSING
(6 CIRCUIT FOOTPRINT SHOWN)
(COMPONENT SIDE OF BOARD)

SEE SHEET 1 EC NO: UCP2017-0615 DRWN: AFENG02 2016/09/16 CHKD: APPR: KLANG 2016/09/28 REV: L6	QUALITY SYMBOLS	GENERAL TOLERANCES (UNLESS SPECIFIED)	DIMENSION STYLE	SCALE	DESIGN UNITS	THIRD ANGLE PROJECTION
	▽=0	mm INCH	IN/MM	4:1	INCH	
	▽=0	4 PLACES ± --- ± ---	DRAWN BY DATE	TITLE		
	▽=0	3 PLACES ± --- ± .010	JTR 1993/03/31	ULTRA LOW PROFILE RIGHT ANGLE MODULAR JACK ASSEMBLY		
		2 PLACES ± 0.25 ± .014	CHECKED BY DATE	MOLEX INCORPORATED		
		1 PLACE ± 0.36 ± ---	JTR 1993/03/31	SDA-43202		
		ANGULAR ± 1/2°	APPROVED BY DATE	SHEET NO.		
			FSMITH 2012/02/09	9 OF 9		
		DRAFT WHERE APPLICABLE MUST REMAIN WITHIN DIMENSIONS	MATERIAL NO.	DOCUMENT NO.		
			SEE SHTS 5&6	THIS DRAWING CONTAINS INFORMATION THAT IS PROPRIETARY TO MOLEX INCORPORATED AND SHOULD NOT BE USED WITHOUT WRITTEN PERMISSION		