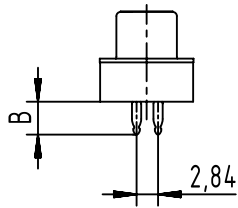
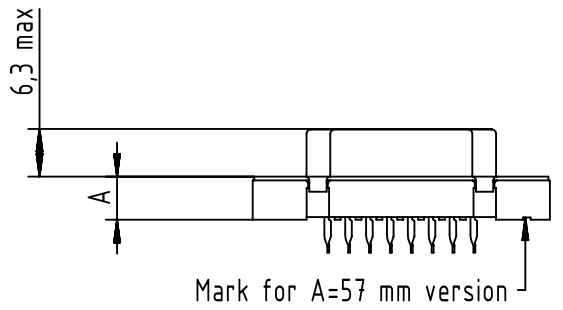


A

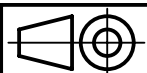
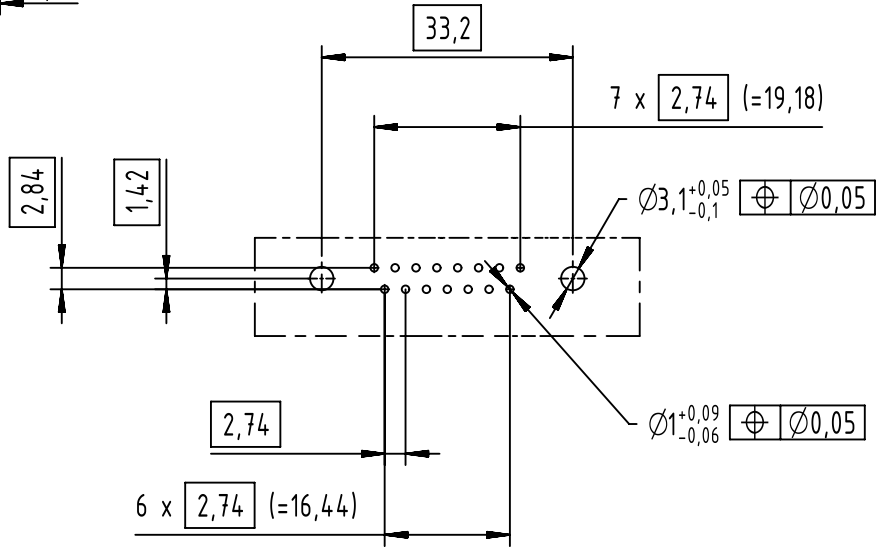
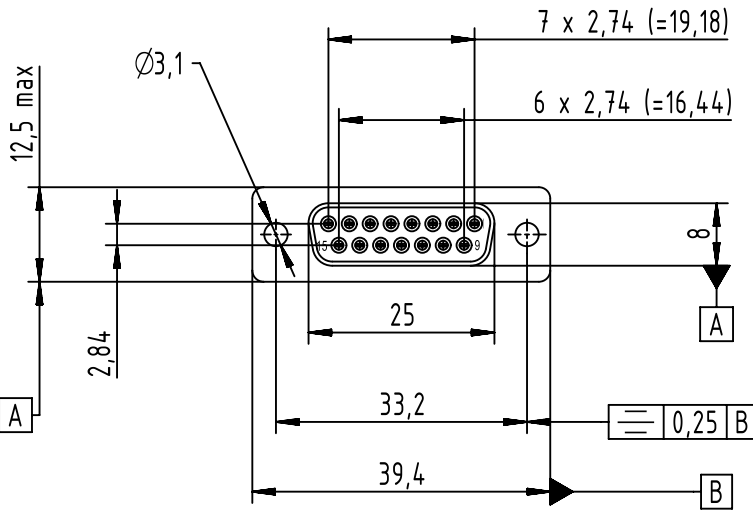
B

C

D



PC-Board layout
view component side
thickness up to 3,2 mm



All Dimensions in mm
Original Size DIN A4

Scale
1:1

Free size tol.

Ref.

Sub.



All rights reserved
Department EC PD - FR

Created by
LAVERGNEC

Inspected by
BAGDIKIAN

Standardisation
HOFFMANN

Date
2014-04-02

State
Final Release

09662147500	3	6	4,20
09662146500	2	6	4,20
09662145500	S4 PdNi	6	4,20
Part number	Performance level	A +/- 0,2	B +/- 0,2

HARTING Electronics GmbH
D-32339 Espelkamp

Title
D-Sub 15-pole female straight press-in

Type
TB

Number
0966214X500

Doc-Key / ECM-Nr.
100571767/UGD/001/A
500000072779

Rev.
A

Page
1/1