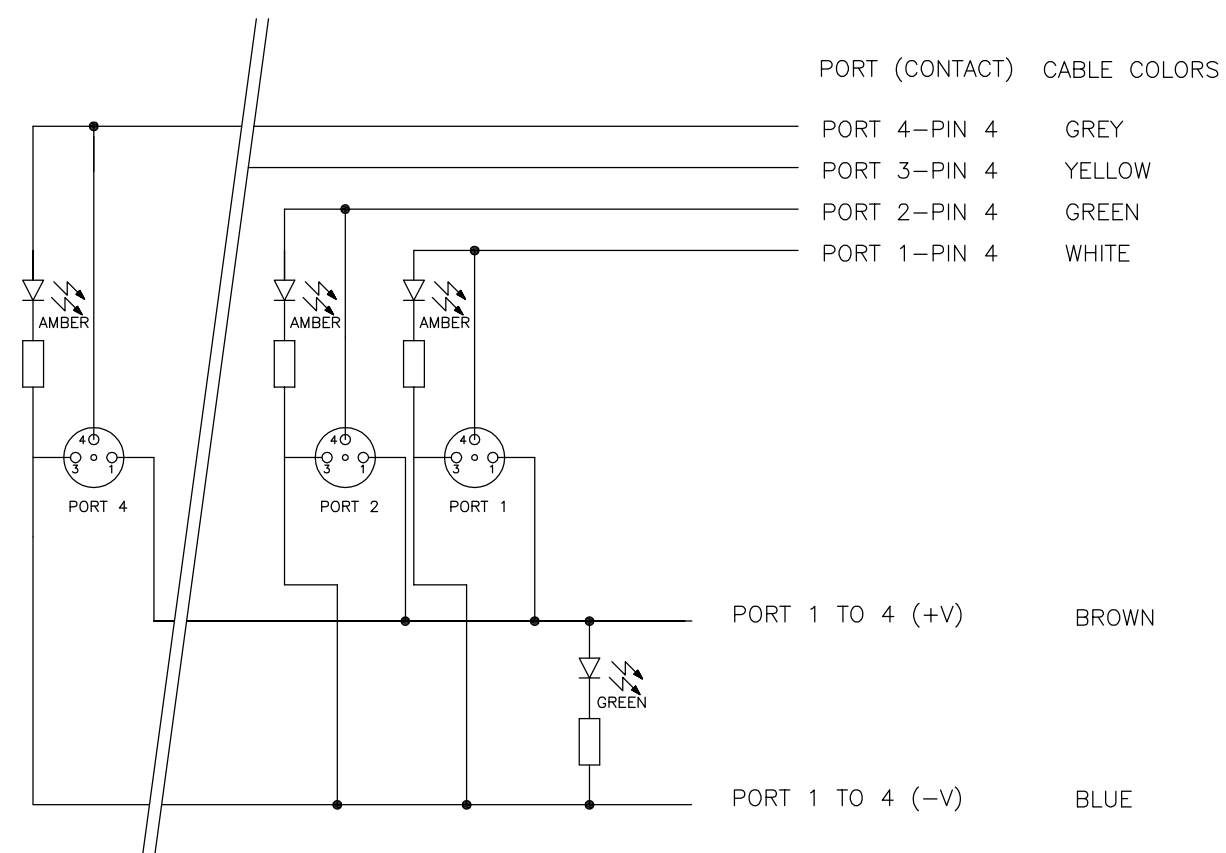
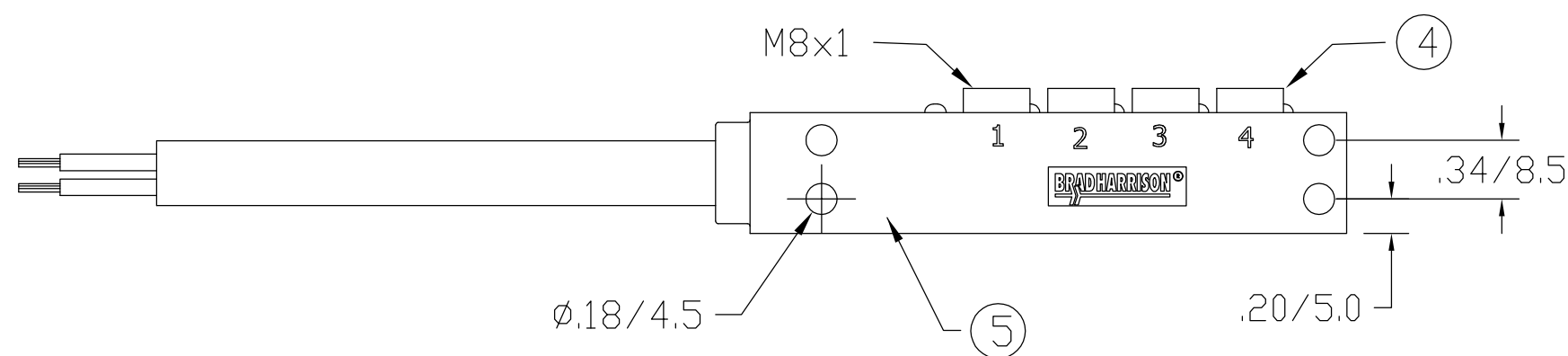
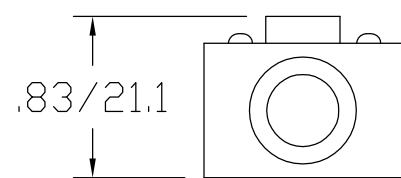
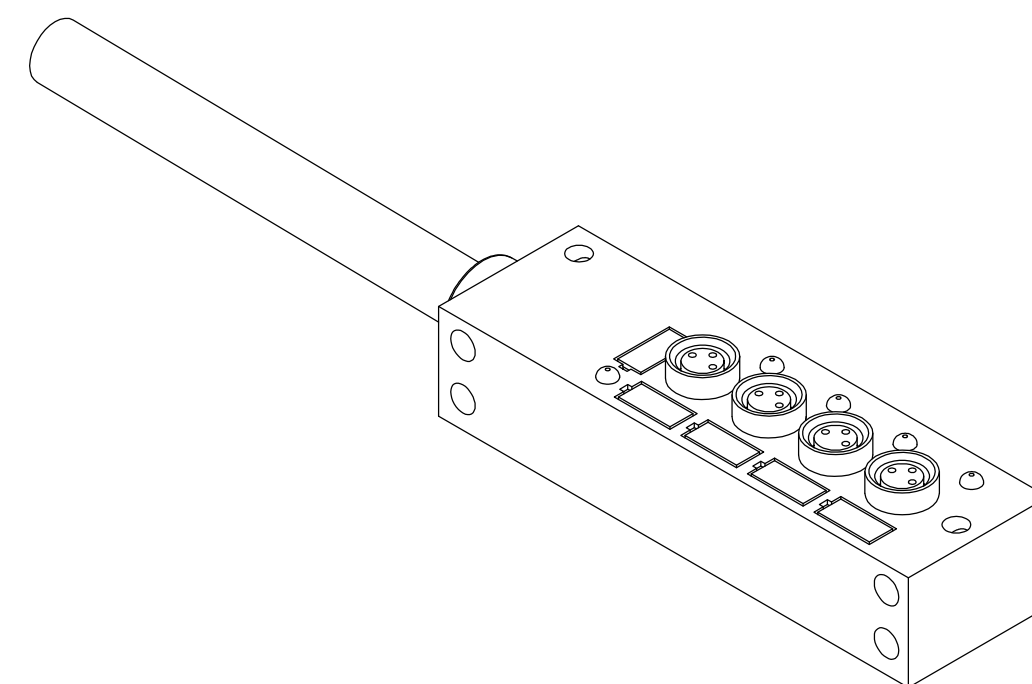
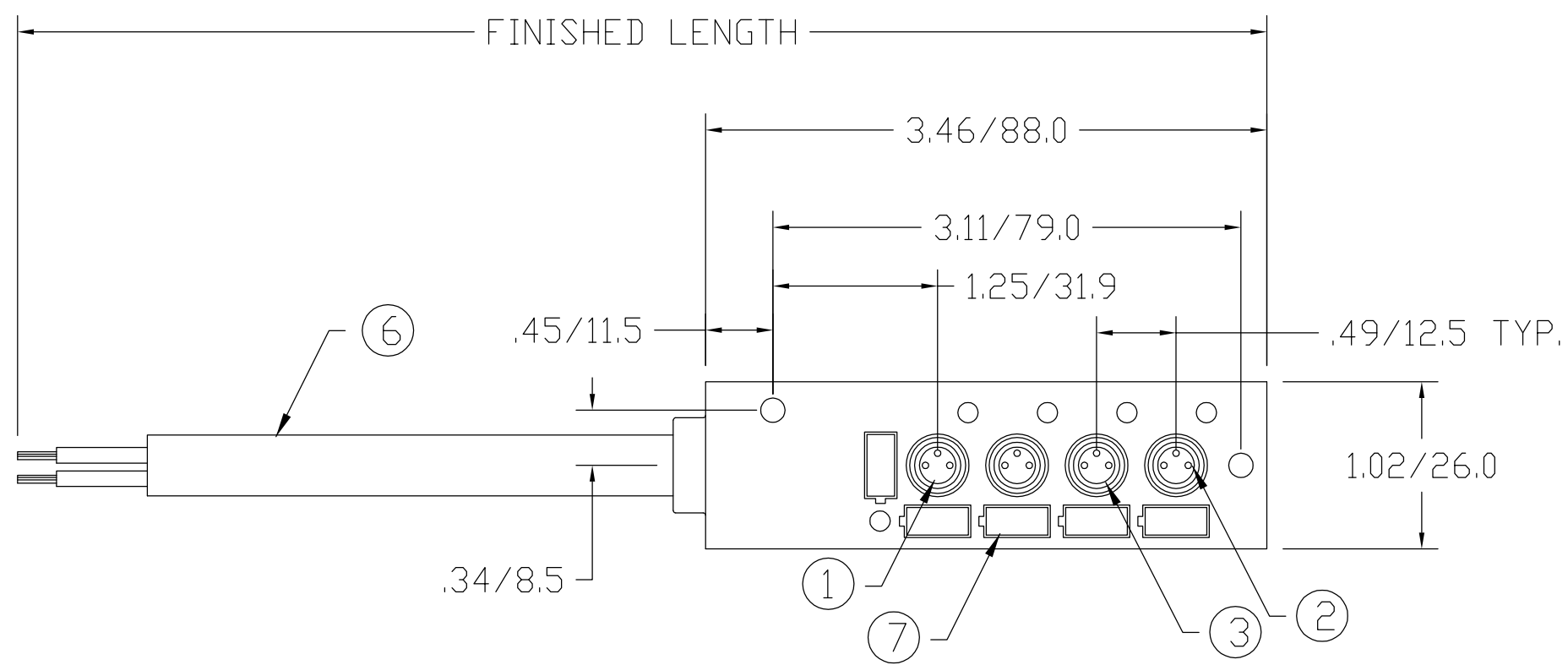


MATERIAL NUMBER	OLD PART NUMBER	FINISHED LENGTH
120113-0006	BEY401P-FBP-05	16.40' +6.50" -0 [5.0M +165.1 -0]
120113-0007	BEY401P-FBP-10	32.80' +12.50" -0 [10.0M +317.5 -0]



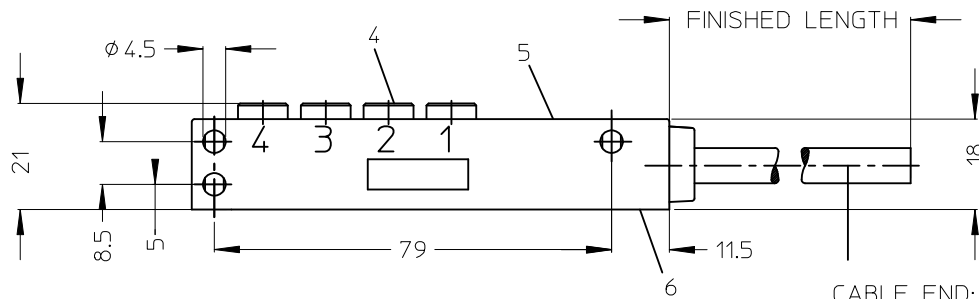
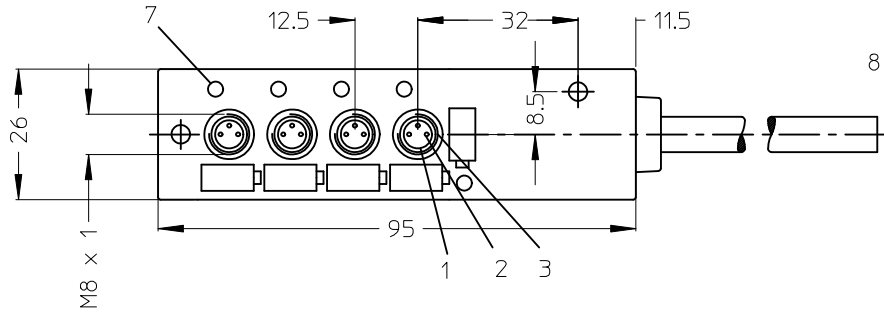
WIRING DIAGRAM

ITEM	COMPONENT	MATERIAL	FINISH
1	INSERT	POLYESTER	YELLOW
2	CONTACT SOCKET	COPPER ALLOY	GOLD OVER NICKEL
3	O-RING	VITON	RED
4	RECEPTACLE SHELL	BRASS	NICKEL PLATED
5	HOUSING	NYLON	YELLOW
6	CABLE- 18AWG, 2 CONDUCTOR; 22 AWG, 4 CONDUCTOR, 300V	PVC	YELLOW
7	LABEL	ABS	WHITE

VOLTAGE RATING	10-30 VDC
AMPERAGE RATING PER PORT	2 AMPS
PROTECTION	IP67
OPERATING TEMPERATURE	-20°C TO 90°C

RELEASED DRAWING EC NO: WEU2010-0058 DRWN: LHARTMAN 8/18/09 CH'KD: BWOODMAN 2009/08/21 APPR: JFMURPHY 2009/08/21	QUALITY SYMBOL	GENERAL TOLERANCES (UNLESS SPECIFIED)	DIMENSION STYLE	SCALE	DESIGN UNITS	THIRD ANGLE PROJECTION														
	$\nabla=0$ $\sphericalangle=0$	<table border="1"> <tr> <td></td> <td>mm</td> <td>INCH</td> </tr> <tr> <td>4 PLACES</td> <td>±----</td> <td>±----</td> </tr> <tr> <td>3 PLACES</td> <td>±----</td> <td>±----</td> </tr> <tr> <td>2 PLACES</td> <td>±----</td> <td>±.01</td> </tr> <tr> <td>1 PLACE</td> <td>±0.3</td> <td>±----</td> </tr> </table>		mm	INCH		4 PLACES	±----	±----	3 PLACES	±----	±----	2 PLACES	±----	±.01	1 PLACE	±0.3	±----	IN/MM	NTS
		mm	INCH																	
	4 PLACES	±----	±----																	
3 PLACES	±----	±----																		
2 PLACES	±----	±.01																		
1 PLACE	±0.3	±----																		
REV	DESCRIPTION	ANGULAR ±----°	DRAWN BY: LHARTMAN DATE: 2009/08/21 CHECKED BY: BWOODMAN DATE: 2009/08/21 APPROVED BY:	TITLE																
A		DRAFT WHERE APPLICABLE MUST REMAIN WITHIN DIMENSIONS	SEE CHART	NANO-CHANGE MPIS 4 PORT PNP SIDE ENTRY XX METER PUR CABLE MOLEX INCORPORATED		SHEET NO. 1 OF 1														
			SIZE C	THIS DRAWING CONTAINS INFORMATION THAT IS PROPRIETARY TO MOLEX INCORPORATED AND SHOULD NOT BE USED WITHOUT WRITTEN PERMISSION																

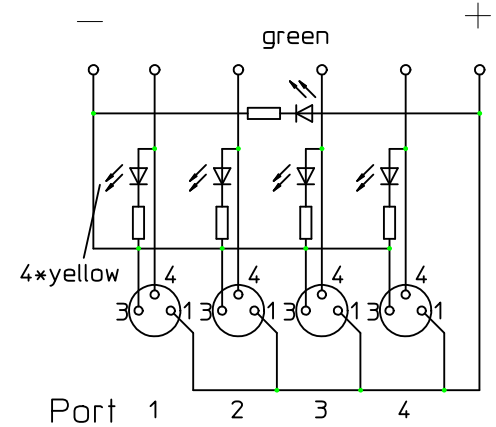
SAP-NUMBER	OLD PART NUMBER	FINISHED LENGTH
1201135005	BEY401P-FBP-05	5000
1201130007	BEY401P-FBP-10	10000
1201130008	BEY401P-FBP-20	20000



CABLE END:
OUTER SHEATH STRIPPED 100 mm
CONDUCTOR STRIP 5 mm

CLOSURE CAP

SAP no. 1203080677
Quantity 2



Contact configuration	wire colour	wire mm ²	M8 connector	
			Port	Contact-No.
M8 connector 	brown (+)	0.75	1-4	1
	blue (-)	0.75	1-4	3
	white	0.34	1	4
	green	0.34	2	4
	yellow	0.34	3	4
	grey	0.34	4	4

VOLTAGE RATING	10 - 30 VDC
AMPERAGE RATING PER PORT	2 A MAX./PORT 6 A MAX. TOTAL
PROTECTION	IP 67
OPERATING TEMPERATURE	-25°C / +90 °C

ITEM	COMPONENT	MATERIAL	FINISH
1	INSERT	PUR	BLACK
2	CONTAC SOCKET	BRASS	GOLD OVER NICKEL
3	O-RING	VITON	---
4	RECEPTACLE SHELL	BRASS	NICKEL PLATED
5	HOUSING	PBT	YELLOW
6	LABEL	ABS	WHITE
7	LENS	PA	CLEAR
8	CABLE	PUR	---

NEW RELEASE
EC NO: WEU2010-0248
DRW:SBH 2010/01/08
CHKD:APOHL_WEU 2010/01/08
APPR:NSTAUDIGEL 2010/01/29

QUALITY SYMBOLS
▽=0
C=0

	GENERAL TOLERANCES (UNLESS SPECIFIED)	
	mm	INCH
4 PLACES	± ---	± ---
3 PLACES	± ---	± ---
2 PLACES	± ---	± ---
1 PLACE	± 0.3	± ---
ANGULAR ± ---°		

DRAFT WHERE APPLICABLE
MUST REMAIN WITHIN DIMENSIONS

DIMENSION STYLE		SCALE	DESIGN UNITS	THIRD ANGLE PROJECTION
MM ONLY			METRIC	
DRAWN BY	DATE	TITLE		
SBH	2010/01/08	M8 MPIS BOX 3 POL 4 PORT STRAIGHT		
CHECKED BY	DATE			
APOHL_WEU	2010/01/08	MOLEX INCORPORATED		
APPROVED BY	DATE			
NSTAUDIGEL	2010/01/29	DOCUMENT NO. SD-120113-012		
MATERIAL NO.				
SEE TABLE		SHEET NO. 1 OF 1		

THIS DRAWING CONTAINS INFORMATION THAT IS PROPRIETARY TO MOLEX INCORPORATED AND SHOULD NOT BE USED WITHOUT WRITTEN PERMISSION