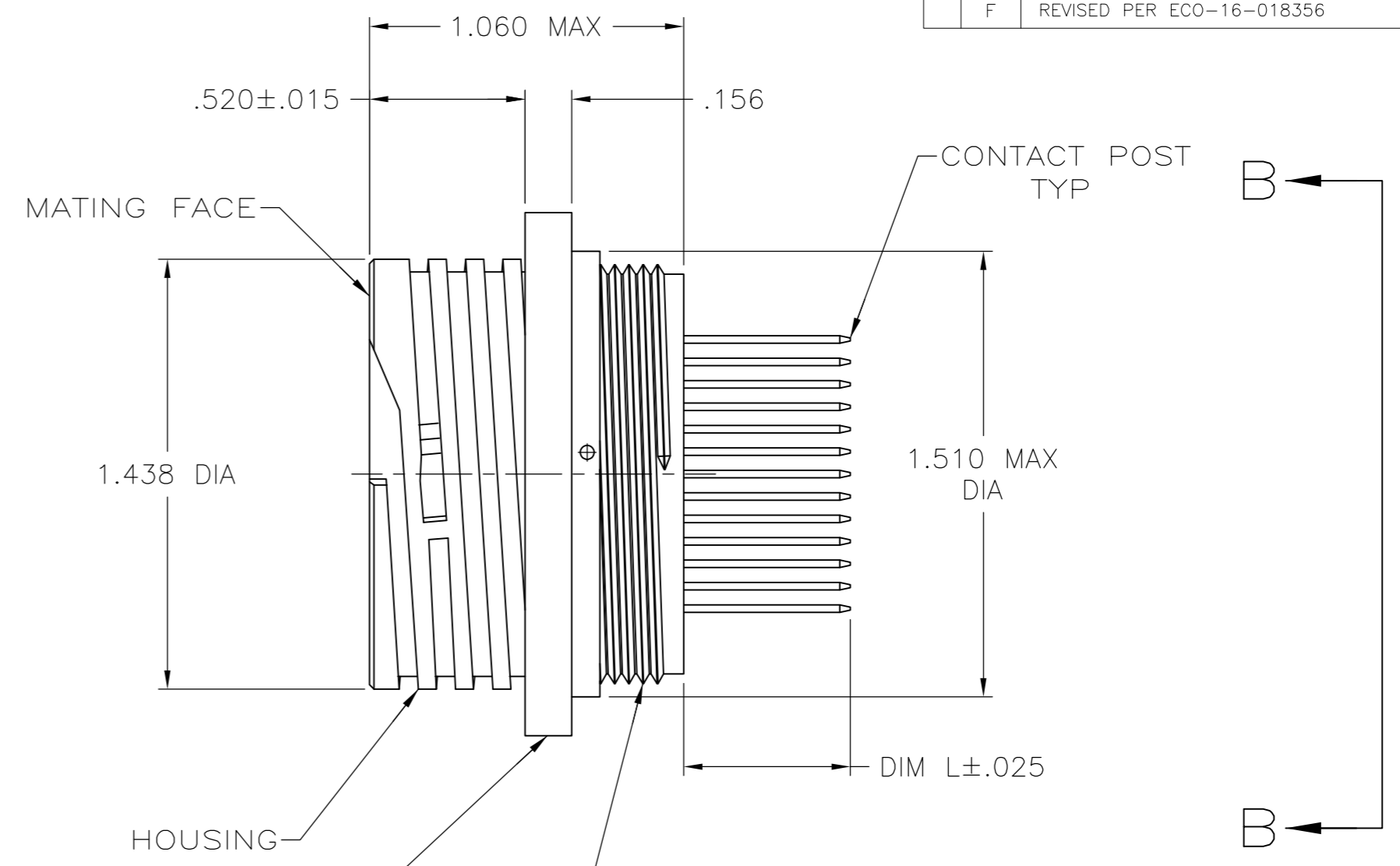
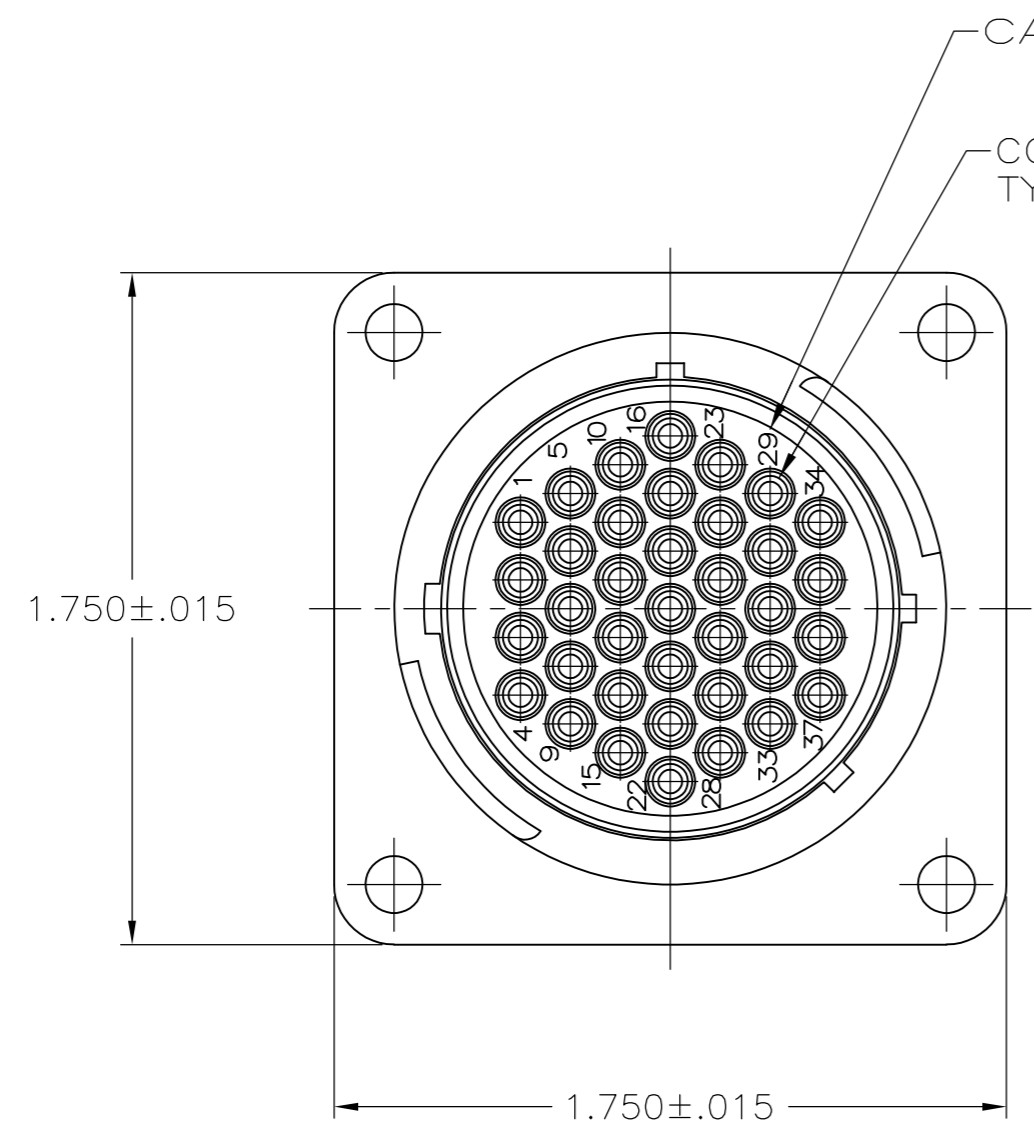


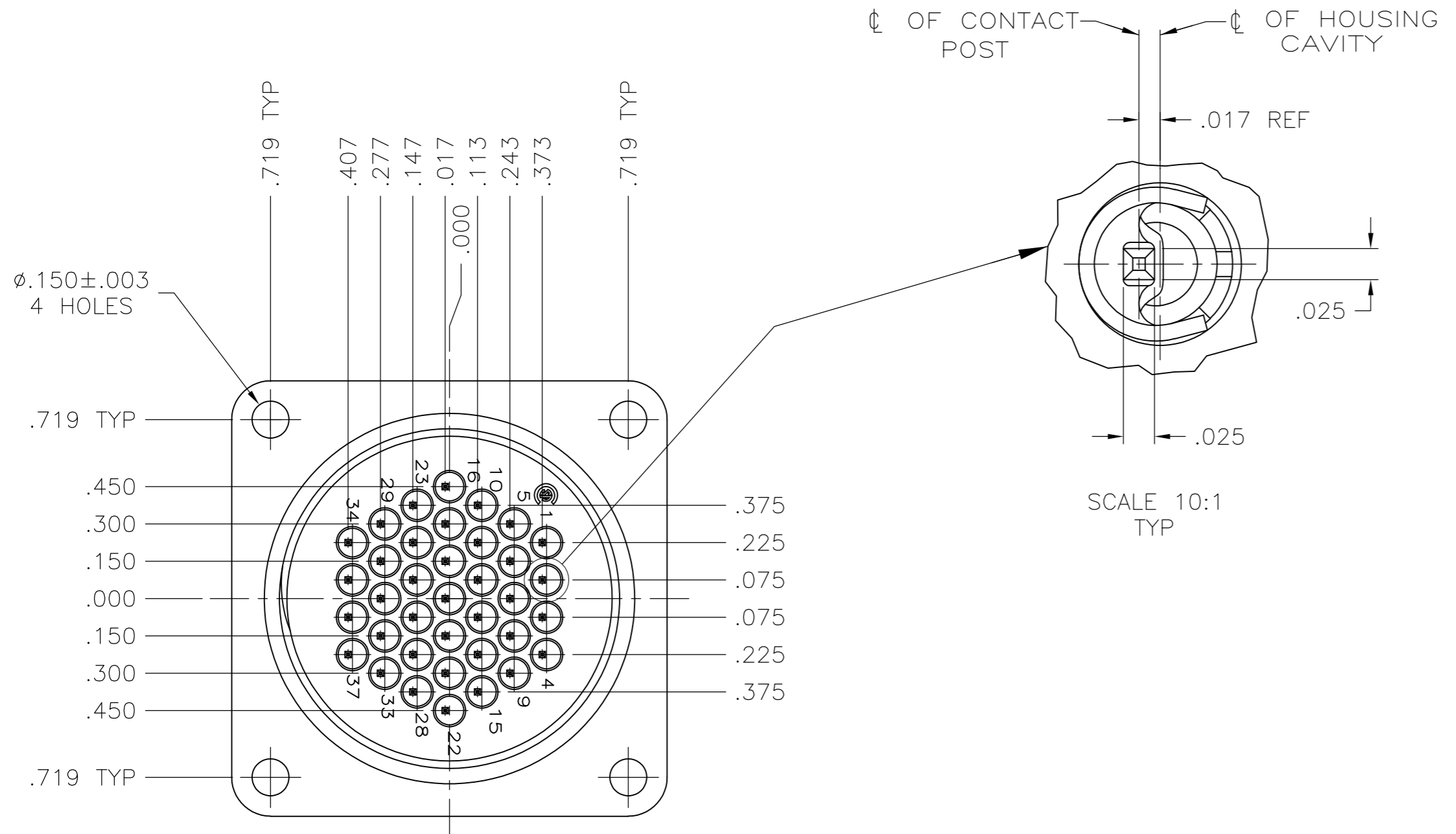
THIS DRAWING IS UNPUBLISHED. RELEASED FOR PUBLICATION
 © COPYRIGHT - By - ALL RIGHTS RESERVED.

REVISIONS				
P	LTR	DESCRIPTION	DATE	APVD
E1		REVISED PER ECO-16-004800	08SEP2016	NK MZ
F		REVISED PER ECO-16-018356	22MAR2017	RS MZ



PART NUMBER AND DATE CODE MARKED ON ANY FLANGE EDGE
 1 3/8-18 UNEF-2A

- 1 NYLON, UL 94V-0 RATED, BLACK.
- 2 STAINLESS STEEL.
- 3 BRASS.
- 4 CONTACT BODY: .000030 MIN GOLD FOR A LENGTH OF .200 MIN FROM MATING END. GOLD FLASH ON REMAINDER, BOTH OVER .000030 MIN NICKEL. CONTACT POST: .000100 MIN TIN-LEAD OVER .000050 MIN NICKEL.
- 5 RECOMMENDED PC BOARD HOLE SIZE FOR CONTACT POST = .035 ± 0.003 DIA.
- 6 CONTACT BODY: .000030 MIN GOLD FOR A LENGTH OF .200 MIN FROM MATING END. GOLD FLASH ON REMAINDER, BOTH OVER .000030 MIN NICKEL. CONTACT POST: .000100 MIN TIN OVER .000050 MIN NICKEL.
- 7 SELECT LOAD: NO CONTACTS LOADED IN POSITIONS 10 AND 32.



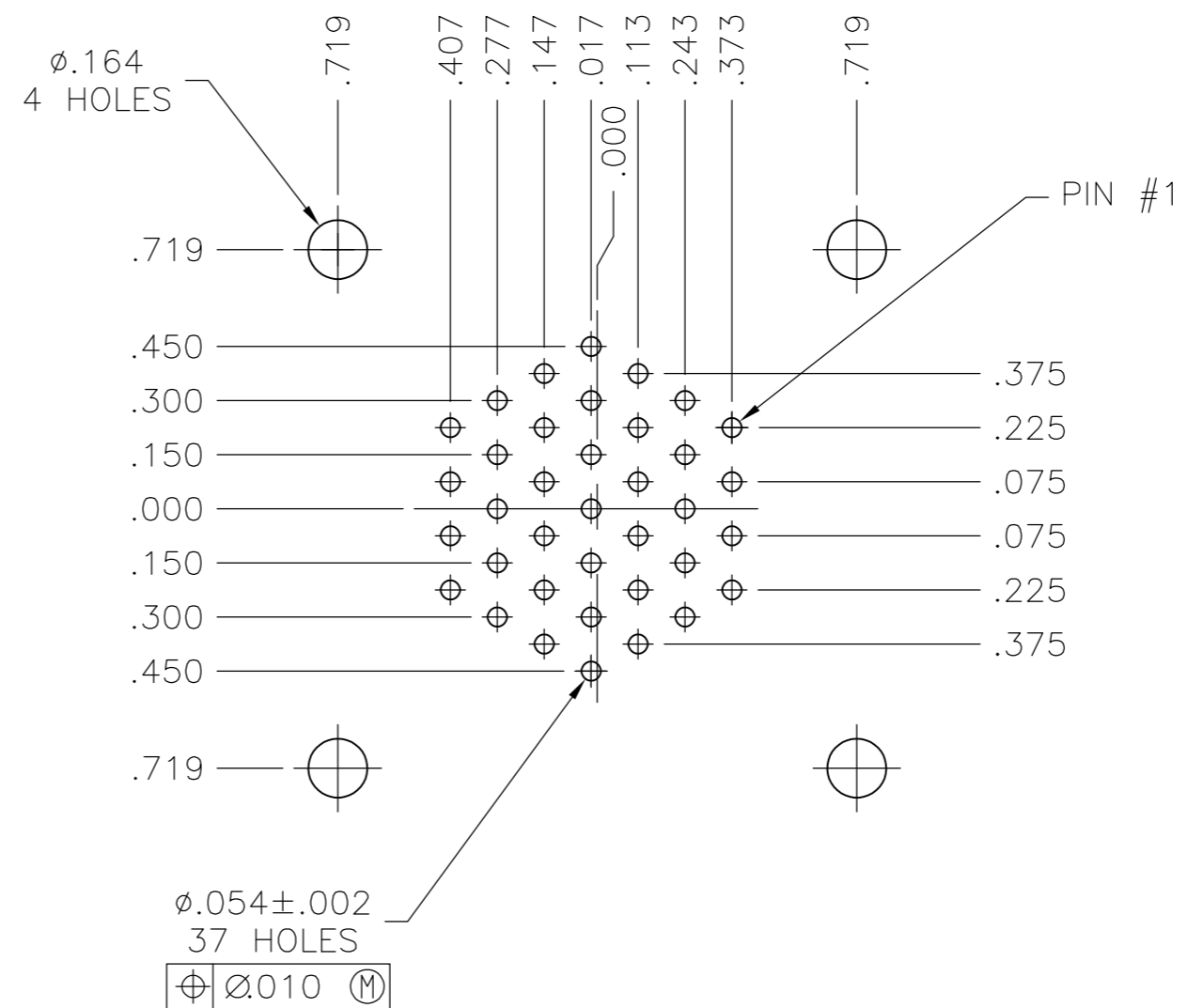
VIEW B-B

DIM L	CONTACT FINISH	PERIPHERAL SEAL	PART NUMBER
.490	6	NO	213856-7
	4	NO	213856-6
.557	6	NO	213856-4
	4	YES	213856-2
	4	NO	213856-1

THIS DRAWING IS A CONTROLLED DOCUMENT.		DWN D.HARDY 01-03-95	TE TE Connectivity	
DIMENSIONS: INCHES		CHK R.STONE 01-09-95		
TOLERANCES UNLESS OTHERWISE SPECIFIED:		APVD -	NAME	
0 PLC ± -	1 PLC ± -	PRODUCT SPEC 108-10024	RECEPTACLE ASSEMBLY, POSTED, REVERSE SEX, 23-37, CPC	
2 PLC ± -	3 PLC ± .010	APPLICATION SPEC 114-10038	SIZE A2	CAGE CODE 00779
4 PLC ± -	ANGLES ± -	WEIGHT -	DRAWING NO C=213856	RESTRICTED TO -
MATERIAL HOUSING: 1	CONTACT SPRING: 2	FINISH CONTACT: 3	CUSTOMER DRAWING	
SCALE 2:1		SHEET 1 of 2		REV F

THIS DRAWING IS UNPUBLISHED. RELEASED FOR PUBLICATION
 © COPYRIGHT - By - ALL RIGHTS RESERVED.

REVISIONS				
P	LTR	DESCRIPTION	DATE	APVD
-	-	SEE SHEET 1	-	-



RECOMMENDED P.C. BOARD LAYOUT

THIS DRAWING IS A CONTROLLED DOCUMENT.		DWN D.HARDY 01-03-95	STE TE Connectivity																			
DIMENSIONS: INCHES		CHK R.STONE 01-09-95																				
TOLERANCES UNLESS OTHERWISE SPECIFIED:		APVD -	NAME																			
<table border="0"> <tr><td>0 PLC</td><td>±</td><td>-</td></tr> <tr><td>1 PLC</td><td>±</td><td>-</td></tr> <tr><td>2 PLC</td><td>±</td><td>.010</td></tr> <tr><td>3 PLC</td><td>±</td><td>-</td></tr> <tr><td>4 PLC</td><td>±</td><td>-</td></tr> <tr><td>ANGLES</td><td>±</td><td>-</td></tr> </table>		0 PLC	±	-	1 PLC	±	-	2 PLC	±	.010	3 PLC	±	-	4 PLC	±	-	ANGLES	±	-	PRODUCT SPEC 108-10024	RECEPTACLE ASSEMBLY, POSTED, REVERSE SEX, 23-37, CPC	
0 PLC	±	-																				
1 PLC	±	-																				
2 PLC	±	.010																				
3 PLC	±	-																				
4 PLC	±	-																				
ANGLES	±	-																				
MATERIAL HOUSING: CONTACT SPRING: CONTACT BODY & POST:		APPLICATION SPEC 114-10038	SIZE A2	CAGE CODE 00779	DRAWING NO C-213856																	
FINISH CONTACT:		WEIGHT -	SCALE 2:1	SHEET 2 of 2	RESTRICTED TO -																	
CUSTOMER DRAWING			REV F																			