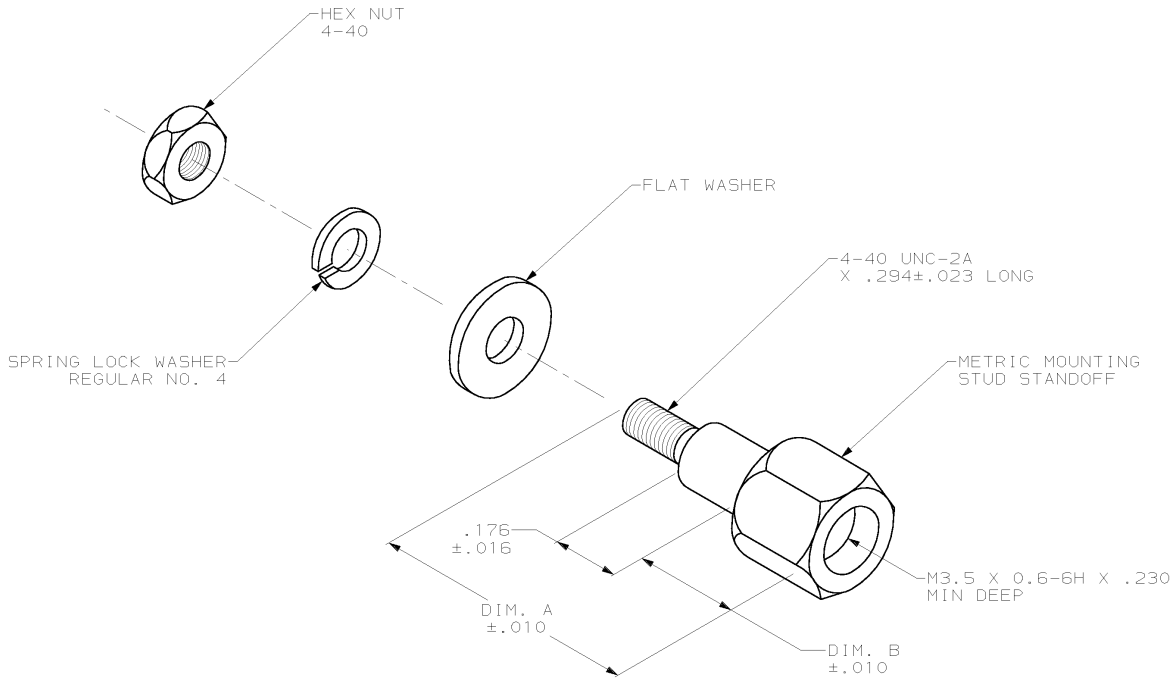


LOC		DIST		REVISIONS			
P	LTR	DESCRIPTION	DATE	OWN	APVD		
AA	20	J	REVISED PER EC 0515-0411-02	25NOV02	DD	RM	



⚠ MATERIAL: METRIC MOUNTING STUD - BLACK OXIDE COATED CARBON STEEL.
 WASHER, LOCKWASHER AND HEX NUT - ZINC PLATED STEEL.

2. ALL HARDWARE SHIPPED UNASSEMBLED.

.193	.688	553636-3
.256	.750	553636-2
DIM. B	DIM. A	PART NUMBER

THIS DRAWING IS A CONTROLLED DOCUMENT.		DRN	19-NOV-91	AMP	TYCO Electronics Harrisburg, PA 17105-3608	
DIMENSIONS: INCHES		A. HOLT	25-NOV-91		HARDWARE KIT, SHIELDED, CHAMP LATCH	
TOLERANCES UNLESS OTHERWISE SPECIFIED:		M. FRIEL	07-DEC-91	PRODUCT SPEC		
0 PLC	±	S. HEGE		APPLICATION SPEC		
1 PLC	±			WEIGHT		
2 PLC	±			SCALE		
3 PLC	±			SHEET		
4 PLC	±			REV		
ANGLE	±			CUSTOMER DRAWING		
MATERIAL	FINISH			A200779-553636		
				SCALE 4:1 SHEET 1 OF 1 REV J		

553636