

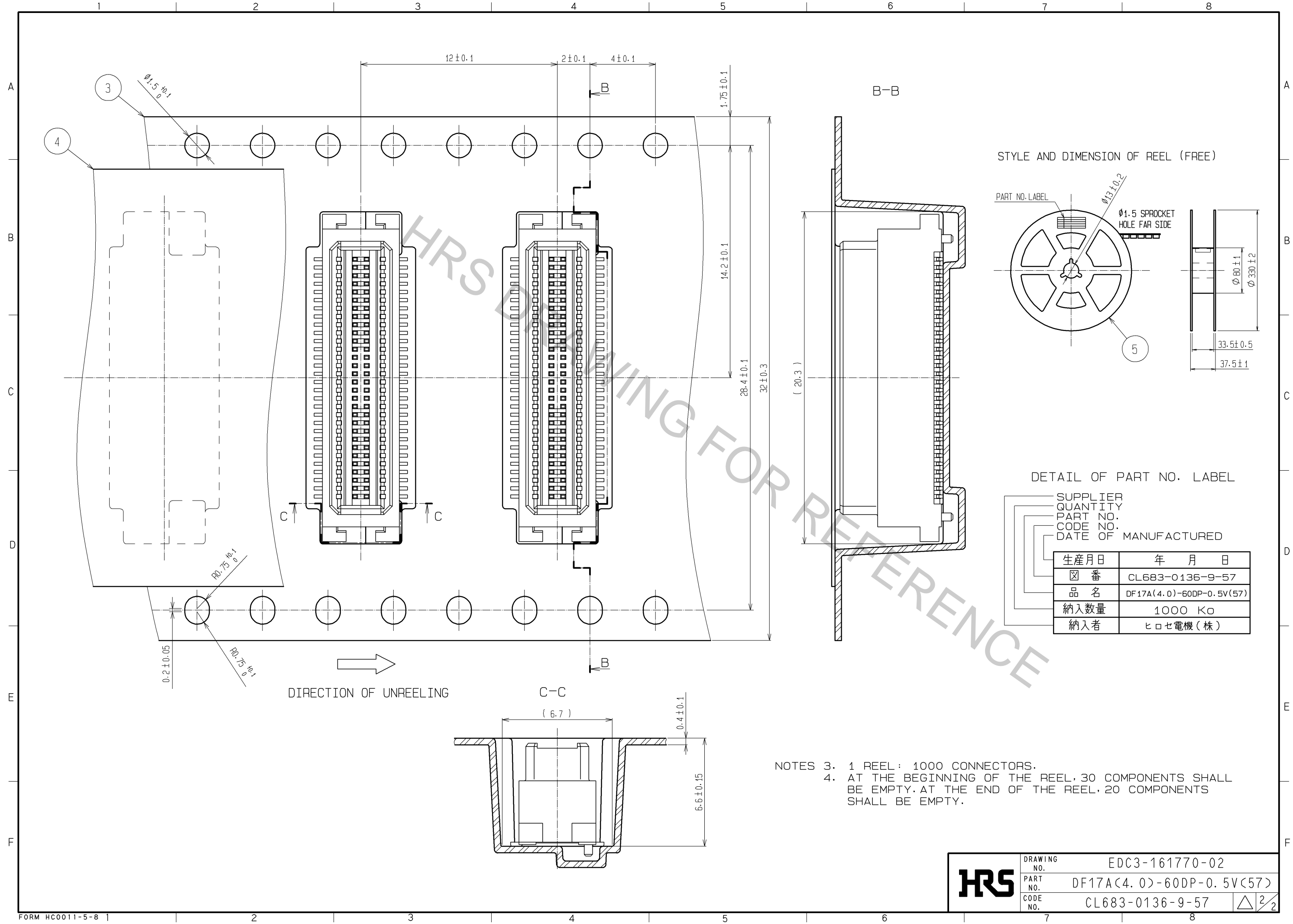
NOTES

① LEAD CO-PLANARITY INCLUDE REINFORCED METAL FITTINGS SHALL BE 0.1 mm MAX.

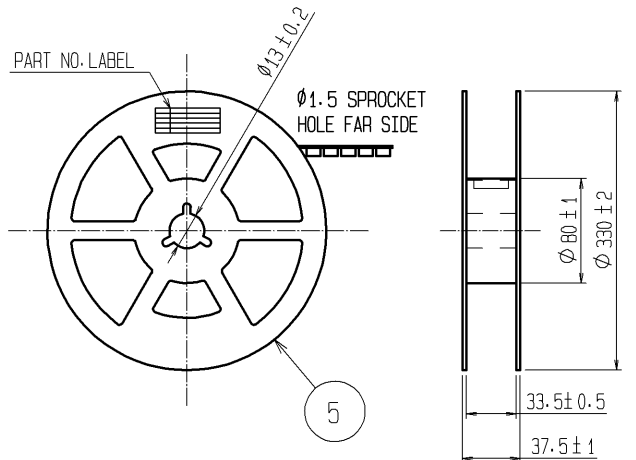
② WHEN A PART MARKED WITH HAS A PATTERN BUT NO RESIST ON IT. TAKE CARE TO PREVENT THE CONNECTOR FROM TOUCHING IT.

MATED HIGHT (h)	(mm)	
RECEPTACLE NO.	DF17*(3.0)-60DS-0.5V(57)	DF17*(4.0)-60DS-0.5V(57)
HEADER NO.	7	8
DF17A(4.0)-60DP-0.5V(57)		

1	PHOSPHOR BRONZE	CONTACT AREA:GOLD PLATED 0.1μm min LEAD AREA:TIN PLATED 1μm min UNDER PLATING:NICKEL PLATED 1μm min	5 PS 4 POLYESTER 3 A-PET 2 POLYAMIDE (PA6T)	PLASTIC REEL · BLACK CLEAR (COVER TAPE) CLEAR (EMBOSSED CARRIER TAPE) NATURAL (BEIGE) · UL94V-0			
NO.	MATERIAL	FINISH . REMARKS	NO.	MATERIAL	FINISH . REMARKS		
UNITS mm		SCALE 5 : 1	COUNT 	DESCRIPTION OF REVISIONS	DESIGNED	CHECKED	DATE
<b>HRS</b> HIROSE ELECTRIC CO., LTD.		APPROVED : KH. IKEDA 08.09.25	DRAWING NO. EDC3-161770-02				
		CHECED : TS. MIYAZAKI 08.09.25	PART NO. DF17A(4.0)-60DP-0.5V(57)				
		DESIGNED : TY. YAMASAKI 08.09.03	CODE NO. CL683-0136-9-57				
		DRAWN : TY. YAMASAKI 08.09.03					1/2



STYLE AND DIMENSION OF REEL (FREE)



DETAIL OF PART NO. LABEL

SUPPLIER	生産月日	年月日
QUANTITY	☑ 番	CL683-0136-9-57
PART NO.	品名	DF17A(4.0)-60DP-0.5V(57)
CODE NO.	納入数量	1000 K $\phi$
DATE OF MANUFACTURED	納入者	ヒロセ電機(株)

- NOTES 3. 1 REEL : 1000 CONNECTORS.  
 4. AT THE BEGINNING OF THE REEL, 30 COMPONENTS SHALL BE EMPTY. AT THE END OF THE REEL, 20 COMPONENTS SHALL BE EMPTY.

<b>HRS</b>	DRAWING NO.	EDC3-161770-02
	PART NO.	DF17A(4.0)-60DP-0.5V(57)
	CODE NO.	CL683-0136-9-57
		$\triangle$ 2/2