

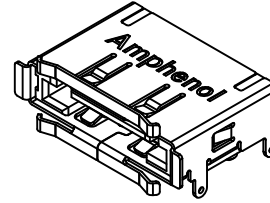
This document is the property of Amphenol Corporation and is delivered on the express condition that it is not to be disclosed, reproduced or used, in whole or in part, for manufacture or sale by anyone other than Amphenol Corporation without its prior consent, and that no right is granted to disclose or to use any information in this document.

The marking on this product doesn't contain environmental hazardous materials per Material Specification SS-00259 for Sony GP compliant or per directive 2002/95/EC for RoHS compliant.



# CUSTOMER DRAWING

## ORIGINAL



REVISIONS				
SYM	ECN No.	DESCRIPTION	DATE	BY
A		RELEASE TO PRODUCTION	09/09/2008	Hank Hsu
B	NE-10012	MODIFIED DRAWING P#1 LOCATION	01/23/2010	Chenny Yeh
C	NE-10118	MODIFIED POST DIM	07/28/2010	Chenny Yeh
D	NE-10143	ADD DIM CHECK MARKED	09/21/2010	Chenny Yeh
E	NE-11047	ADD P/N SYSTEM	04/06/2011	Chenny Yeh

### P/N SYSTEM:

G09 1 2 X 1 3 0 X X LF

### CONTACT FINISH:

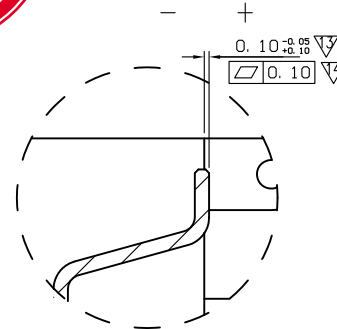
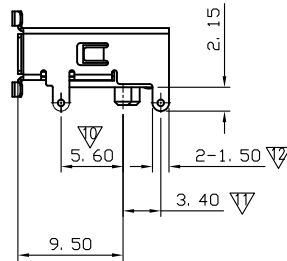
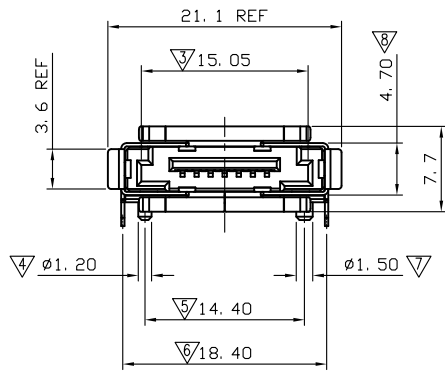
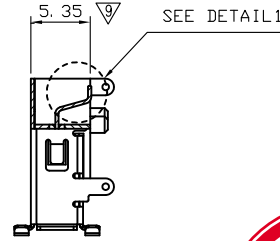
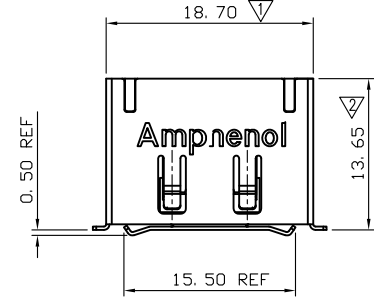
- 0: CONTACT:GOLD FLASH; SHELL:NICKEL PLATING
- 3: CONTACT:30u" GOLD; SHELL:NICKEL PLATING + GOLD FLASH
- 4: CONTACT:30u" GOLD; SHELL:NICKEL PLATING
- 5: CONTACT:15u" GOLD; SHELL:NICKEL PLATING
- 7: CONTACT:GOLD FLASH; SHELL:NICKEL PLATING + GOLD FLASH
- 8: CONTACT:15u" GOLD; SHELL:NICKEL PLATING + GOLD FLASH

### EXTENSION CODE:

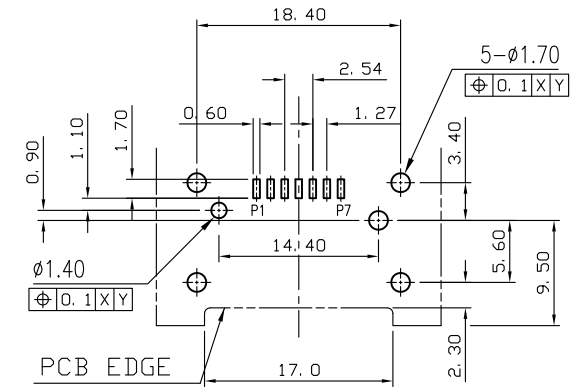
- BLANK: AMPHEMOL LOGO
- A: W/O LOGO

### PACKAGING CODE:

- 0: TAPE AND REL PCKING
- 1: TRAY PACKAGING
- 4: TAPE AND REL PCKING+NYLAR



DETAIL 1



RECOMMEND PCB LAYOUT

(GENERAL TOLERANCE: ±0.05)

### NOTES:

- INSULATOR: HIGH TEMPERATURE THERMO PLASTIC 30% G.F., UL 94V-0, COLOR- BLACK
- CONTACT: COPPER ALLOY, 0.3mm THICKNESS, GOLD FLASH PLATED ON CONTACT AREA, TIN PLATED ON SOLDERING TAIL
- SHELL: COPPER ALLOY, 0.3mm THICKNESS, NICKEL PLATED+GOLD FLASH
- THIS PRODUCT DOESN'T CONTAIN ENVIRONMENTAL HAZARDOUS MATERIALS PER MATERIAL SPECIFICATION SS-00259 FOR SONY GP
- PACKING PER AMTA PACKING SPECIFICATION PKS-0001
- THE DIMENSIONS MARKED  $\nabla$  WILL BE CHECKED BY Q.C. AND PROCESS ENGINEERS.

TOLERANCE m/m	APPROVALS	DATE	TITLE	Amphenol® Amphenol Corporation Amphenol Taiwan Corporation		
x.	DRAWN Chenny Yeh	4/6/2011	G09 SERIES E-SATA CONNECTOR PLUG, 7-POS. R/A SMT, REVERSE	SCALE	N.A.	SHEET 1 OF 3
x.x ±0.30	CHECKED Debby Hung	4/6/2011		ENGINEERING DWG NO.	T371-G0912X130XLF	
x.xx ±0.20	APPROVED Hank Hsu	4/6/2011		REV.	E	
x.xxx ±0.10				SIZE	A4	
ANGULAR ±2°			PART NO.	G09 12X130XLF		
UNLESS OTHERWISE SPECIFIED			UNIT	MM		

A

B

C

D

E

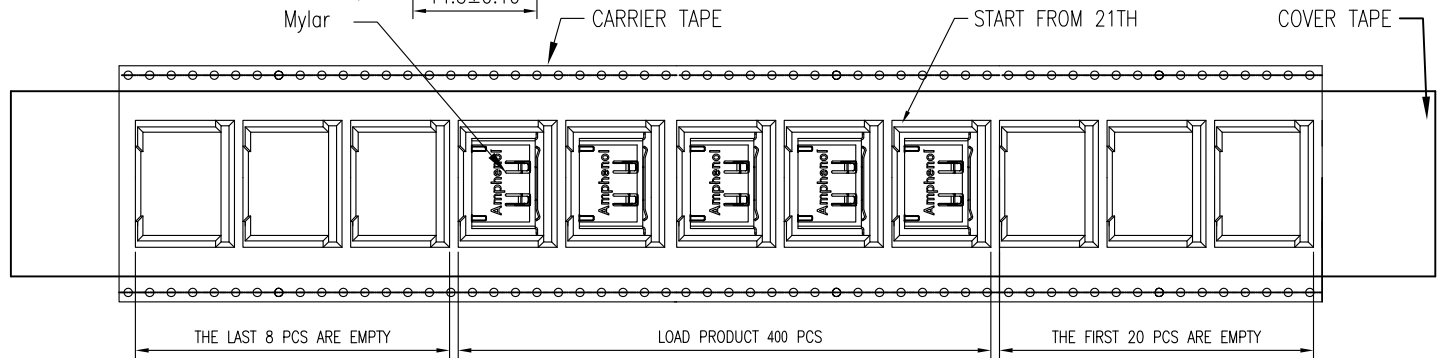
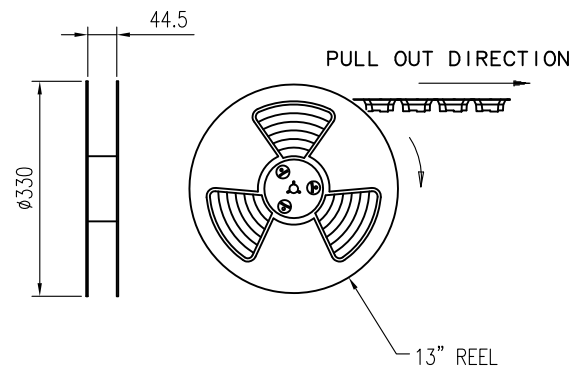
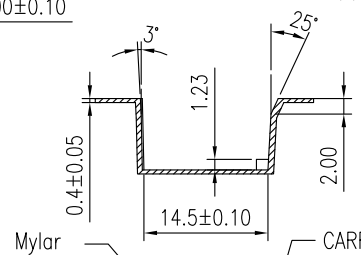
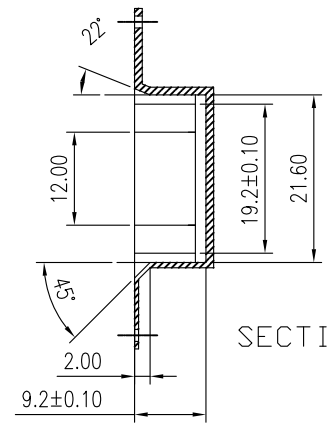
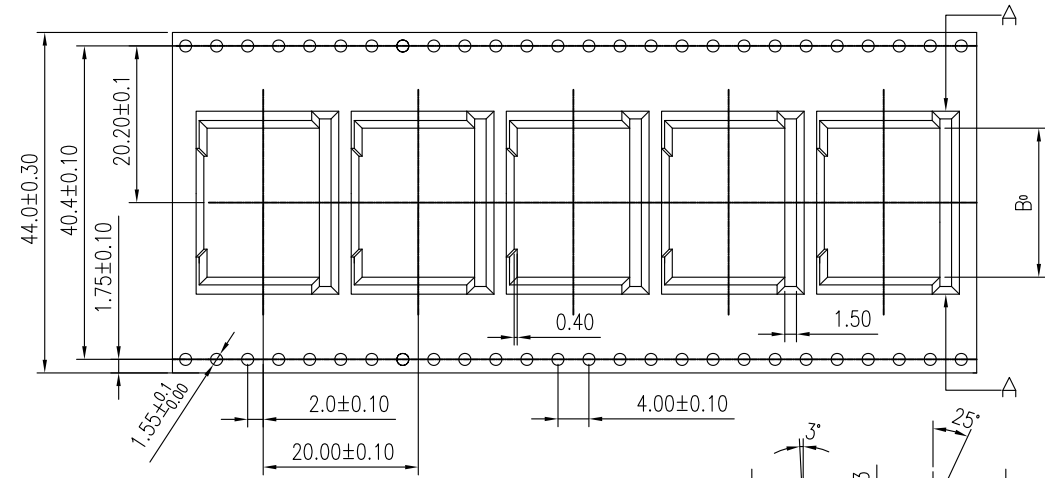
This document is the property of Amphenol Corporation and is delivered on the express condition that it is not to be disclosed, reproduced or used, in whole or in part, for manufacture or sale by anyone other than Amphenol Corporation without its prior consent, and that no right is granted to disclose or to use any information in this document.

The marking on this product doesn't contain environmental hazardous materials per Material Specification SS-00259 for Sony GP compliant or per directive 2002/95/EC for RoHS compliant.

# CUSTOMER DRAWING

## ORIGINAL

REVISIONS				
SYM	ECN No.	DESCRIPTION	DATE	BY
A		RELEASE TO PRODUCTION	09/09/2008	Hank Hsu
B	NE-10012	MODIFIED DRAWING P#1 LOCATION	01/22/2010	Chenny Yeh
C	NE-10118	MODIFIED POST DIM	07/28/2010	Chenny Yeh
D	NE-10143	ADD DIM CHECK MARKED	09/21/2010	Chenny Yeh
E	NE-11047	ADD P/N SYSTEM	04/06/2011	Chenny Yeh



- NOTES : 注意:
- MATERIALS : (1.材料)  
 CARRIER TAPE : TRANSPARENT ANTI-STATIC POLYSTYRENE  
 (CARRIER TAPE:防静电透明聚苯乙烯)  
 COVER TAPE : TRANSPARENT POLYSTYRENE  
 (COVER TAPE:透明聚苯乙烯)  
 REEL : POLYSTYRENE BLUE (REEL:蓝色聚苯乙烯)

TOLERANCE m/m	APPROVALS	DATE	TITLE		Amphenol®		
x.	DRAWN Chenny Yeh	4/6/2011	G09 SERIES E-SATA CONNECTOR PLUG, 7-POS. R/A SMT, REVERSE		Amphenol Corporation Amphenol Taiwan Corporation		
x.x ±0.30	CHECKED Debby Hung	4/6/2011					
x.xx ±0.20	APPROVED Hank Hsu	4/6/2011					
x.xxx ±0.10			SCALE	N.A.	SHEET 2 OF 3		
ANGULAR ±2°			SIZE	PART NO.	DWG NO.	REV.	
UNLESS OTHERWISE SPECIFIED		UNIT MM	A4	G09 12X130XLF	T371-G0912X130XLF	E	

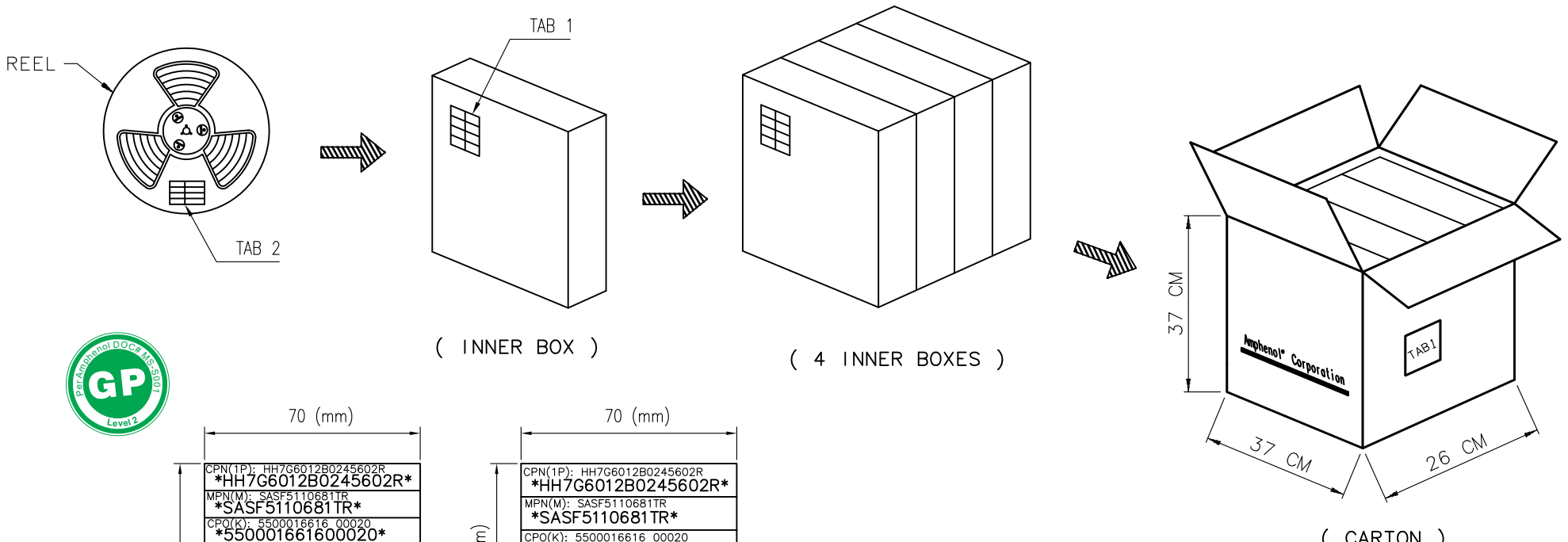
This document is the property of Amphenol Corporation and is delivered on the express condition that it is not to be disclosed, reproduced or used, in whole or in part, for manufacture or sale by anyone other than Amphenol Corporation without its prior consent, and that no right is granted to disclose or to use any information in this document.

The marking on this product doesn't contain environmental hazardous materials per Material Specification SS-00259 for Sony GP compliant or per directive 2002/95/EC for RoHS compliant.

# CUSTOMER DRAWING

## ORIGINAL

REVISIONS			
SYM	ECN No.	DESCRIPTION	DATE By
A		RELEASE TO PRODUCTION	09/09/2008 Hank Hsu
B	NE-10012	MODIFIED DRAWING P#1 LOCATION	01/22/2010 Chenny Yeh
C	NE-10118	MODIFIED POST DIM	07/28/2010 Chenny Yeh
D	NE-10143	ADD DIM CHECK MARKED	09/21/2010 Chenny Yeh
E	NE-11047	ADD P/N SYSTEM	04/06/2011 Chenny Yeh



70 (mm)	
80 (mm)	CPN(1P): HH7G6012B0245602R <b>*HH7G6012B0245602R*</b>
	MPN(M): SASF5110681TR <b>*SASF5110681TR*</b>
	CPO(K): 5500016616 00020 <b>*550001661600020*</b>
	AMTA PO: 413-015711-001 <b>*413-015711-001*</b>
	VENDOR(V) AMPHENOL <b>*AMPHENOL*</b>
	QTY(Q) 330 <b>*330*</b>
	DATE 09/19/2010
	L*W*H(CM)
	G.W.
	Amphenol Taiwan Corporation

**TAB 1**  
SCALE:2:1  
BAR-CODE SAMPLE

70 (mm)		
60 (mm)	CPN(1P): HH7G6012B0245602R <b>*HH7G6012B0245602R*</b>	
	MPN(M): SASF5110681TR <b>*SASF5110681TR*</b>	
	CPO(K): 5500016616 00020 <b>*550001661600020*</b>	
	QTY(Q) 330 <b>*330*</b>	
	DATE 09/19/2010	
	RoHS	
	Amphenol Taiwan Corporation	

**TAB 2**  
SCALE:2:1  
BAR-CODE SAMPLE

NOTES (注意)  
1. THIS PRODUCT DOESN'T CONTAIN ENVIRONMENTAL HAZARDOUS MATERIALS PER MATERIAL SPEC. #MS-S001.  
(产品不能含有SPEC#MS-S001中规定的有害物质)



ITEM	DESCRIPTION	Q'TY
4	PRODUCTS	1600PCS/ CARTON
3	INNER CARTON	4PCS/CARTON
2	REEL	1 PC/INNER CARTON
1	PRODUCTS	400 PCS/REEL

TOLERANCE m/m	APPROVALS	DATE	TITLE	Amphenol® Amphenol Corporation Amphenol Taiwan Corporation		
x.	DRAWN Chenny Yeh	4/6/2011	G09 SERIES E-SATA CONNECTOR PLUG, 7-POS. R/A SMT, REVERSE	SCALE	N.A.	SHEET 3 OF 3
x.x ±0.30	CHECKED Debby Hung	4/6/2011		SIZE	PART NO.	
x.xx ±0.20	APPROVED Hank Hsu	4/6/2011		A4	G09 12X130XLF	
x.xxx ±0.10					DWG NO.	
ANGULAR ±2°					T371-G0912X130XLF	
UNLESS OTHERWISE SPECIFIED	UNIT MM			REV.	E	