

PRODUCT NUMBER	PITCH
KKxx61x400J0G	10.16 mm

N=Number of poles

Dim A	$N \times 10.16 + 17.76$
Dim B	$N \times 10.16 - 0.16$
Dim C	$(N-1) \times 10.16 + 20.32$
Dim D	$(N-1) \times 10.16$

Poles	Tolerance
3P	±0.25
4P	

PART NO.: **KK xx 61 x 4 00J0 G**

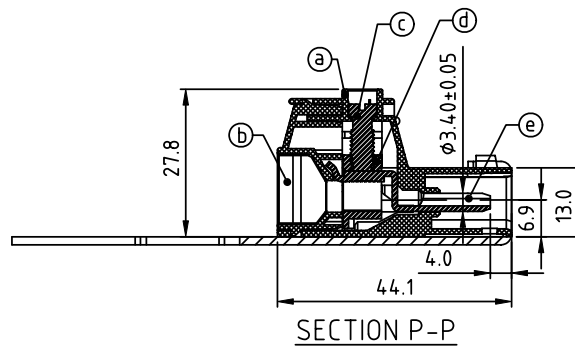
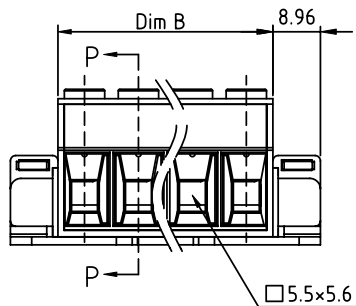
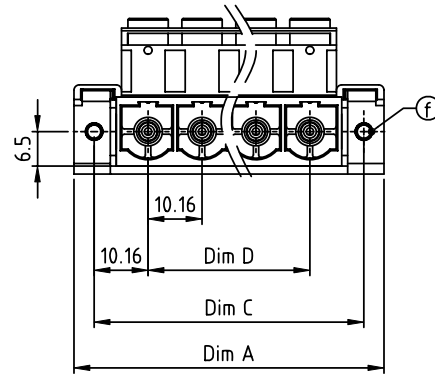
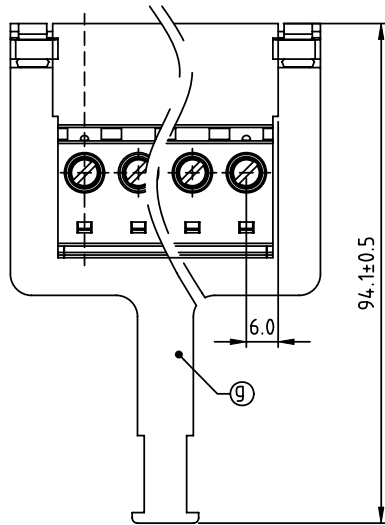
- |              |                     |                 |
|--------------|---------------------|-----------------|
|              | Color               | RoHS compliant  |
| Solid block  | 0 Black (RAL9005)   | (lead<4%)       |
| No. of poles | 2 Red (RAL3001/D)   | In copper Alloy |
| 03 3 poles   | 3 Orange(RAL2011/P) |                 |
| 04 4 poles   | 4 Yellow(RAL1018/A) |                 |
|              | 5 Green(RAL6018/T)  |                 |
|              | 6 Blue (RAL5015/A)  |                 |
|              | 8 Grey(RAL7035/D)   |                 |
|              | 9 White(RAL1102)    |                 |
|              | C Green(RAL6018/U)  |                 |

Material:

- Item ① Terminal body: Thermoplastic (UL94V-0)
- Item ② Terminal cover: Thermoplastic (UL94V-0)
- Item ③ Terminal screw: Steel Zinc plating "-" slot type
- Item ④ Clamp: Brass, Ni plated
- Item ⑤ Pin: Copper Gold plated
- Item ⑥ With flange nut: Steel Zinc plating M3
- Item ⑦ With flange shaft: Steel Zinc plating

Electrical cULus

- Voltage rating: 300VAC
- Current rating: 55A
- Solid wire: 6-20
- Stranded wire: 6-20
- Torque: 18 Lb-In
- Screw: M4.5
- Wire strip length: 13-14mm
- Withstanding Voltage: 1.6KV
- Operating temperature: -40°C to +115°C
- Safety Approval:



mat'l. code		surface ASME Y14.5 ✓	tolerance ASME Y14.5	projection ⊕	product family TERMINAL BLOCK	
ltr	ecn no	dr	date	tolerances unless otherwise specified		title TERMINAL BLOCK
				angles ⊕	MM	PLUGGABLE PLUG, WITH HANDLE, FLANGE WITH NUT
				X*±1"	scale	dwg no KKxx61x400J0G
				dr	EVIN ZHONG	050614
				enr	EVIN ZHONG	050614
				chr	HANKE FENG	050614
				appd	SHI JUN	050614
sheet index	revision sheet	A	1	FCI		size A4
				type CUSTOMER Drawing		