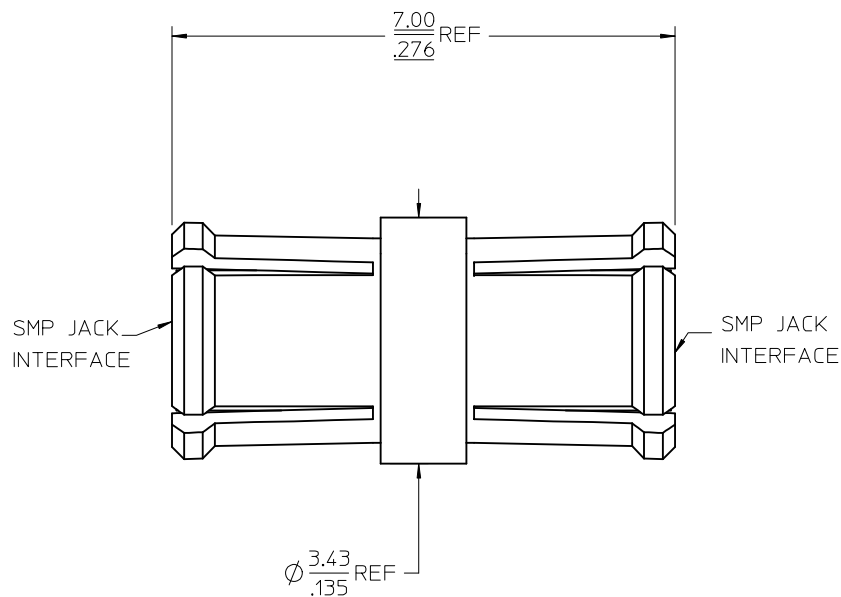
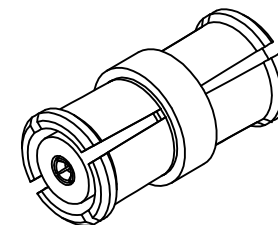


MATERIALS AND FINISHES

BODY BERYLLIUM COPPER
PLATED GOLD

CENTER CONTACT BERYLLIUM COPPER
PLATED GOLD

INSULATOR TEFLON



MIL-STD-348A, FIG. 326.1	INTERFACE
SPECIFICATION	DESCRIPTION

73415-3022	PLACE 73415-3020 INTO SMALL TRAY 897077-0308
73415-3021	PLACE 73415-3020 ONE PER BAG
73415-3020	BULK PACK
PART NO.	DESCRIPTION

CHG: ADDED 73415-3021 & -3022

EC NO: URF2009-0353
2009/01/05
DRW:CLL
CHKD: 2009/01/06
APPR:MHUANG
2009/01/06

REV	DESCRIPTION

QUALITY SYMBOLS
 = 0
 = 0

GENERAL TOLERANCES (UNLESS SPECIFIED)

	mm	INCH
4 PLACES	± .15	± .005
3 PLACES	± .10	± .004
2 PLACES	± .075	± .003
1 PLACE	± .05	± .002

ANGULAR ± 2 °

DRAFT WHERE APPLICABLE MUST REMAIN WITHIN DIMENSIONS

DIMENSION STYLE		SCALE	DESIGN UNITS	THIRD ANGLE PROJECTION
MM/IN			METRIC	
DRAWN BY	DATE	TITLE	SMP JACK ADAPTER SMP-J/J/ADP	
SSS	03/01/28			
CHECKED BY	DATE			
TEF	03/01/28			
APPROVED BY	DATE			
GMH	03/01/28			
MATERIAL NO.	DOCUMENT NO.			
SEE TABLE	SD-73415-302			
SIZE	THIS DRAWING CONTAINS INFORMATION THAT IS PROPRIETARY TO MOLEX INCORPORATED AND SHOULD NOT BE USED WITHOUT WRITTEN PERMISSION		SHEET NO. 1 OF 1	

MOLEX INCORPORATED