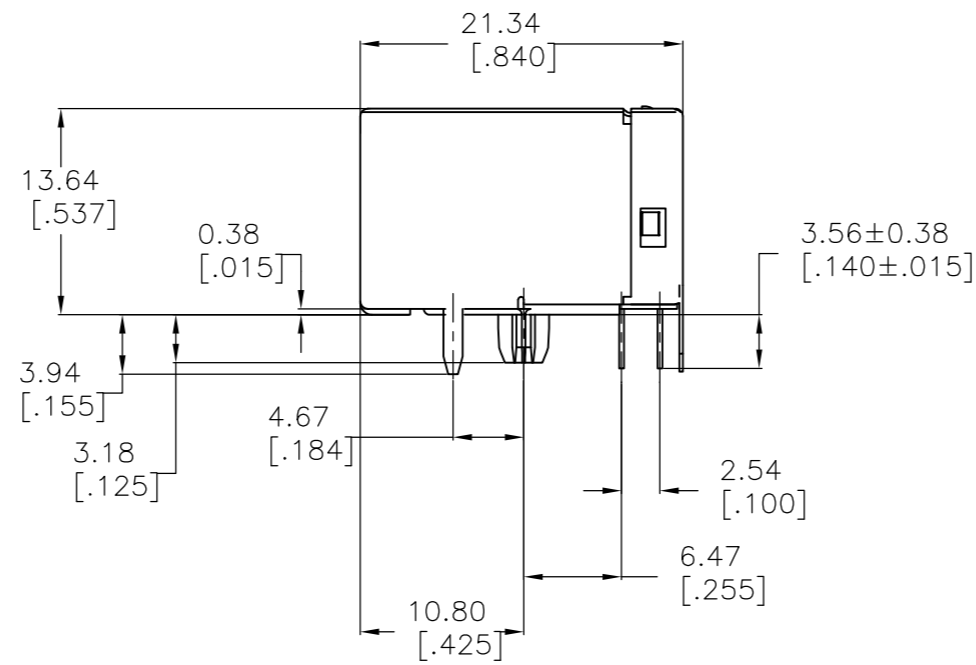
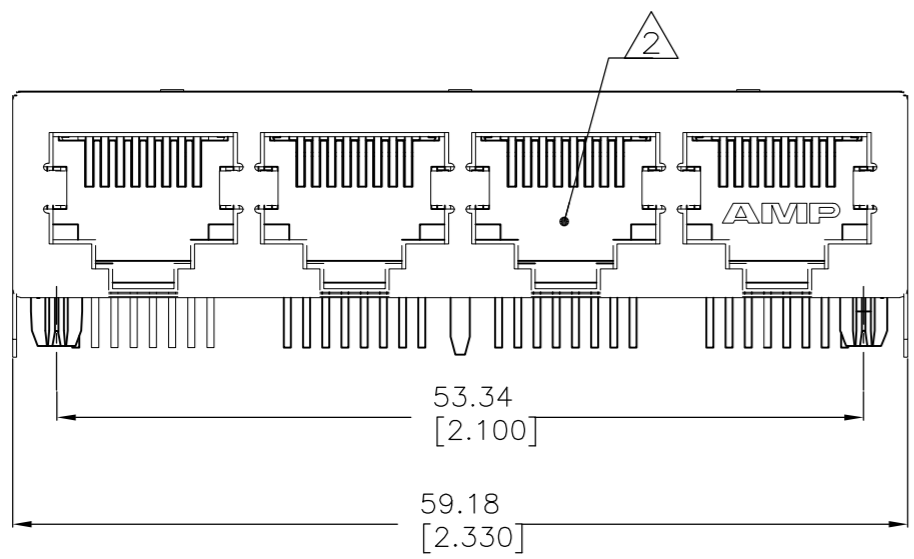


THIS DRAWING IS UNPUBLISHED. RELEASED FOR PUBLICATION  
 © COPYRIGHT BY TYCO ELECTRONICS CORPORATION. ALL RIGHTS RESERVED.

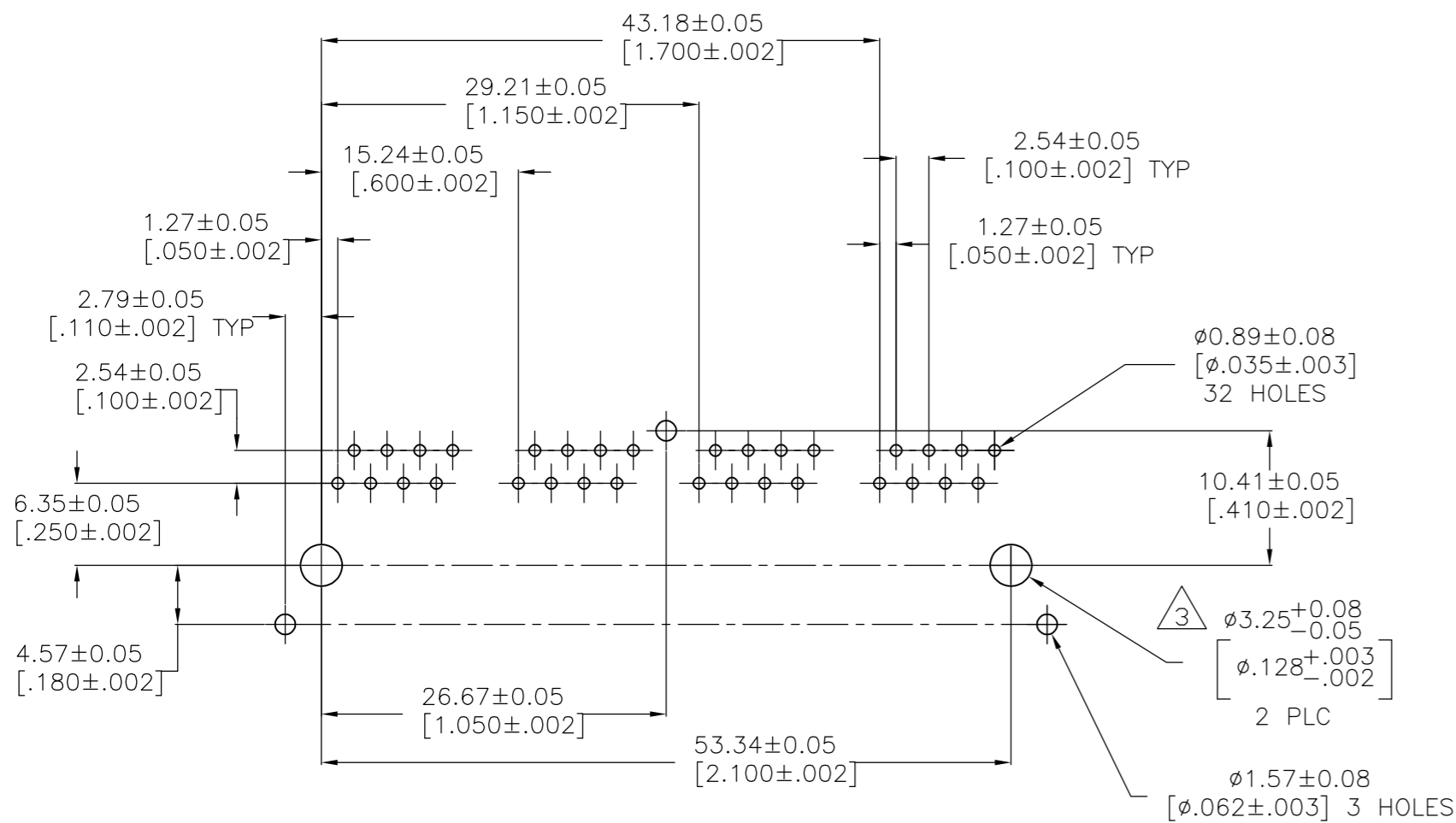
LOC		DIST		REVISIONS			
P	LTR	DESCRIPTION		DATE	DWN	APVD	
	B	ECO-07-021493		03OCT07	LAM	JW	



- MATERIAL: HOUSING - NYLON, COLOR: BLACK, UL 94V-0. OVERMOLDED TERMINAL ARRAY - PBT, BROWN. TERMINALS - 0.33[.013] THICK PHOS BRONZE PLATED WITH 1.27μm[.000050] MINIMUM HARD GOLD IN LOCALIZED AREA AND 3.81μm[.000150] MINIMUM TIN-LEAD IN SOLDER AREA OVER 1.27μm[.000050] MINIMUM NICKEL UNDERPLATE. SHIELD - 0.254[.010] THICK COPPER ALLOY PLATED WITH 2.03μm[.000080] MINIMUM THICK BRIGHT TIN OVER 1.27μm[.000050] MINIMUM NICKEL

△2 JACK CAVITY CONFORMS TO FCC RULES AND REGULATIONS, PART 68 SUBPART F.

△3 USE #30 DRILL BIT OR 3.25mm DRILL BIT WHEN PRODUCING THESE PCB HOLES.



RECOMMENDED PC BOARD LAYOUT  
 COMPONENT SIDE  
 SEE APPLICATION SPECIFICATION

6116528

6116528-1  
 PART NUMBER

THIS DRAWING IS A CONTROLLED DOCUMENT.		DWN L. VARELA - DOCK5	Tyco Electronics Corporation Harrisburg, PA 17105-3608	
DIMENSIONS: mm[inches]		CHK J. WESTMAN	NAME S. FLICKINGER	
TOLERANCES UNLESS OTHERWISE SPECIFIED:		APVD S. FLICKINGER	PRODUCT SPEC 108-1163-2	
0 PLC ± -		APPLICATION SPEC 114-2048		SIZE A2
1 PLC ± -		WEIGHT -		CAGE CODE 00779
2 PLC ± 0.25[.01]		CUSTOMER DRAWING		DRAWING NO C=6116528
3 PLC ± 0.13[.005]		SCALE 2:1		SHEET 1 OF 1
4 PLC ± -		RESTRICTED TO -		REV B
ANGLES ± -				
FINISH SEE NOTE 1				