

D

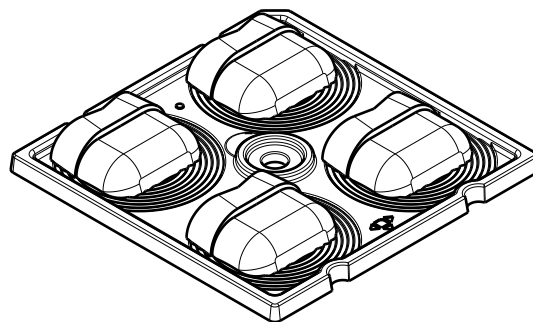
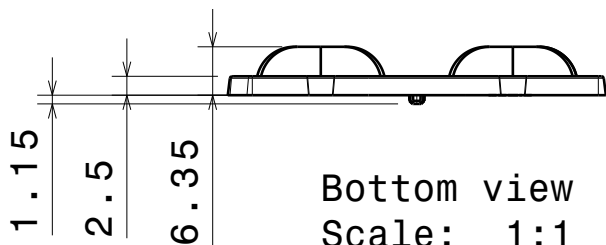
C

B

A

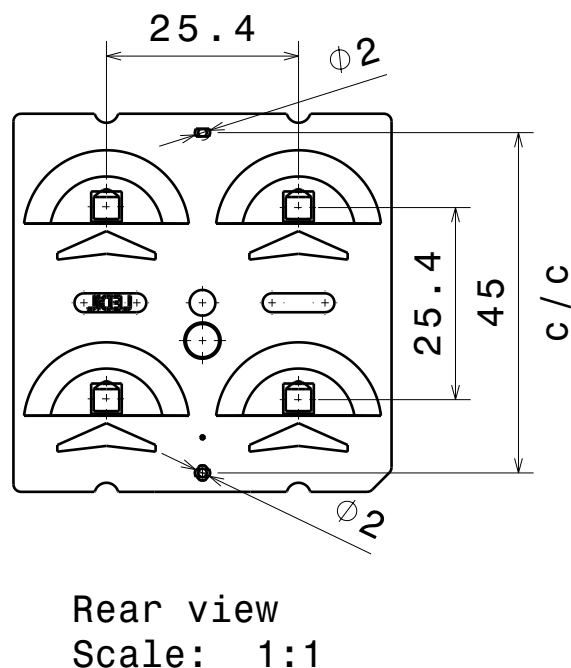
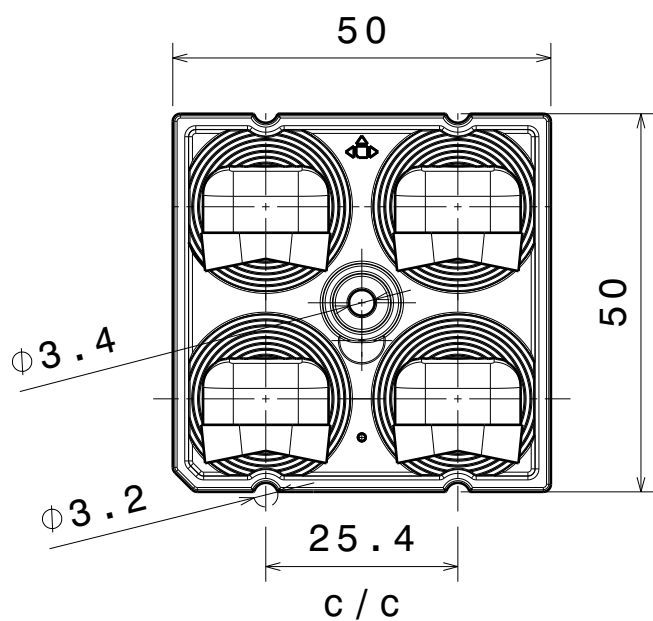
4

4



3

3



2

2

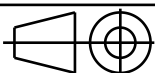
INDEX	PART NO	DESCRIPTION	MATERIAL	COLOUR
1	C16119	STRADA-2X2CSP-SCL	PMMA 8N	Clear

Tolerances if not otherwise shown
According to DIN ISO 2768-1
Linear measures:
Up to 30mm class M, otherwise class C.
According to DIN ISO 2768-2
Form and position: class L

LEDiL

Ledil Oy
Salorankatu 10
FIN 24240 SALO
Finland

FIRST ANGLE PROJECTION:



DRAWING TITLE

C16119_STRADA-2X2CSP-SCL

This drawing is the property
of LEDiL Oy. It may not be
reproduced, copied or
communicated without a written
agreement with LEDiL Oy.

SIZE PART NUMBER

A4

C16119

SCALE	1:1	WEIGHT	6,83 g	SHEET	1/1
-------	-----	--------	--------	-------	-----

D

A

1

1