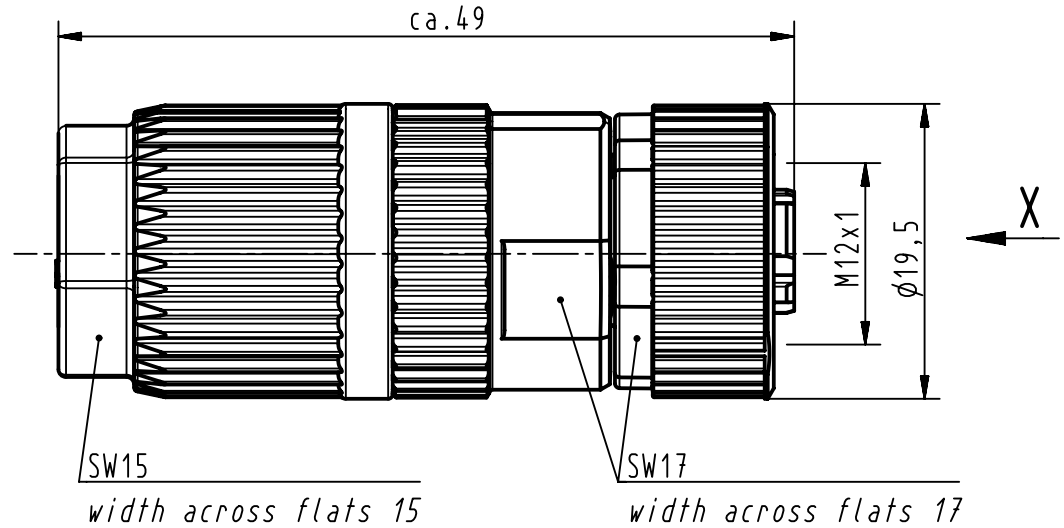
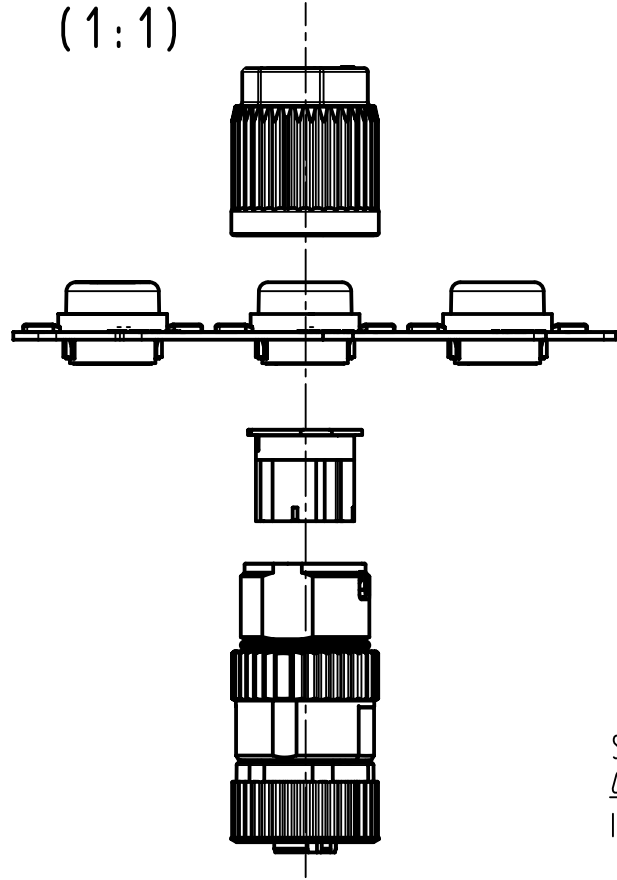
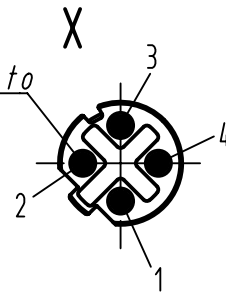


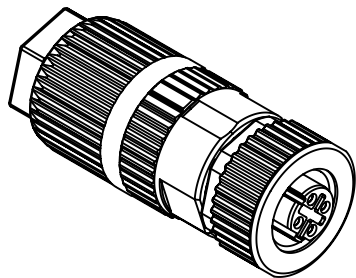
(1:1)



Steckgesicht n.  
Contact face acc. to  
IEC 61076-2-101



Leiterquerschnitt conductor cross section	0,34 - 0,75mm <sup>2</sup> AWG22-AWG18
Kabeldurchmesser cable outside diameter	4,5 - 8,8mm



	All rights reserved Department EC PD - DE	All Dimensions in mm Original Size DIN A4		Scale 2:1	Free size tol.		Ref. Sub.	
		HARTING Electronics GmbH D-32339 Espelkamp	Created by DYCKC	Inspected by HARLASS	Standardisation HOFFMANN	Date 2012-12-05	State Final Release	Doc-Key / ECM-Nr. 100197035/UGD/003/D
		Title HARAX <sup>®</sup> M12-L shielded female 4-pole D-cod					Rev. D	Page 1/1
		Type TB	Number 21032822405					