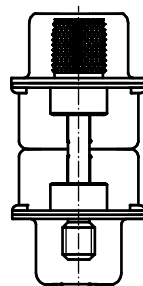
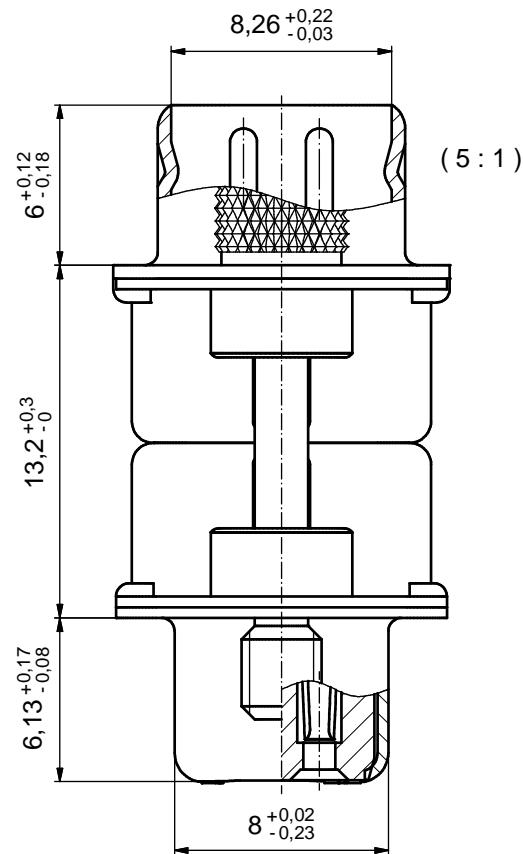


RoHS compliant



NOTES:

1. METALSHIELDS: STEEL; min. 315µm TIN over 40-80µm NICKEL
2. INSULATORS: HIGH TEMPERATURE PLASTIC UL 94 V-0; BLACK
3. CONTACTS: COPPER ALLOY; PLATING (SEE PART NO.):
 PLEASE ADD A for GOLD FLASH over NICKEL (PREFERRED TYPE)
 PLEASE ADD B for 20µm HARD GOLD over min. 50µm NICKEL
 PLEASE ADD C for 30µm HARD GOLD over min. 50µm NICKEL
4. THREADED INSERTS: COPPER ALLOY; min. 200µm TIN over 80µm NICKEL
5. COLLARS: COPPER ALLOY; min. 200µm TIN over 80µm NICKEL
6. JACK SCREWS: COPPER ALLOY; NICKEL PLATED
7. CAPACITANCE: 370pF± 20%
8. DIELECTRIC WITHSTANDING VOLTAGE: 424 VDC
9. MAXIMUM TORQUE VALUE FOR THREAD: 6 in.LB
10. CONNECTOR IS PART MARKED: 243□12370X CONEC ABC (see note 3)

THIS DRAWING MAY NOT BE COPIED OR REPRODUCED IN ANY WAY, AND MAY NOT BE PASSED ON TO A THIRD PARTY WITHOUT WRITTEN PERMISSION. OWNERSHIP AND COPYRIGHT OF CONEC GmbH				tolerance		dim. in mm	scale: 2:1 (5:1)	
				date			material: SEE NOTES	
DO NOT ALTER CAD DRAWING BY HAND				name		title: D-SUB C-FILTER ADAPTER PLUG / SOCKET, 15pos. with threaded insert and jack screw		
				drawn 26.05.15 Lehmenkühler				
a Original				appd. 26.05.15 Schmidt		dwg no: 24K1A1591		
				norm				
rev. description date name				d-old		part no: 243□12370X (see note 3)		
				DIN-A3				
				CONEC [®]		sh: 1		