

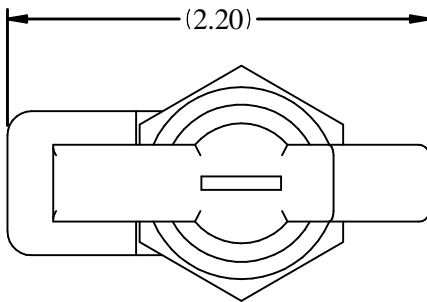
PART No. 2WKL

for more information visit

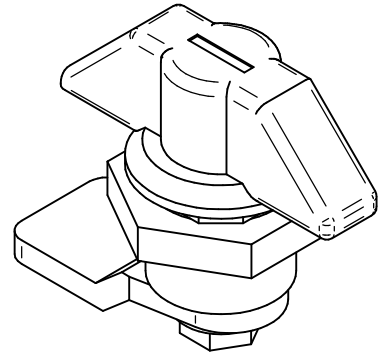
www.hammondmfg.com

Data subject to change without notice

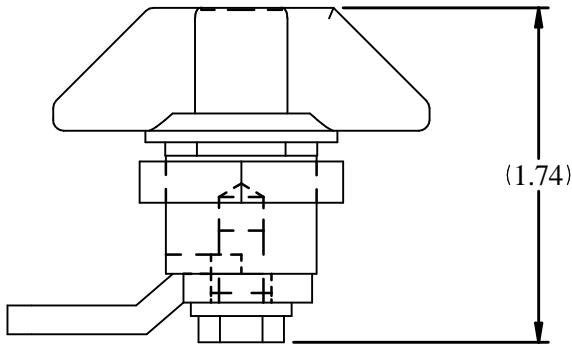
Isometric drawing Not to Scale



TOP VIEW



ISOMETRIC VIEW



SIDE VIEW