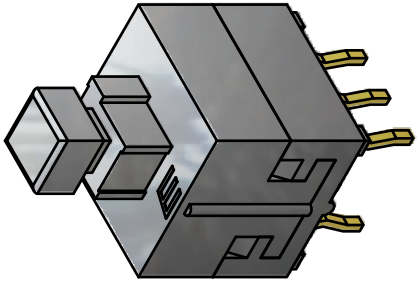
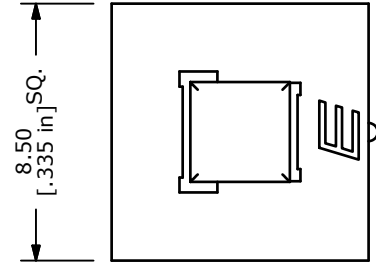
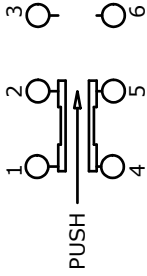


P.C. MOUNTING

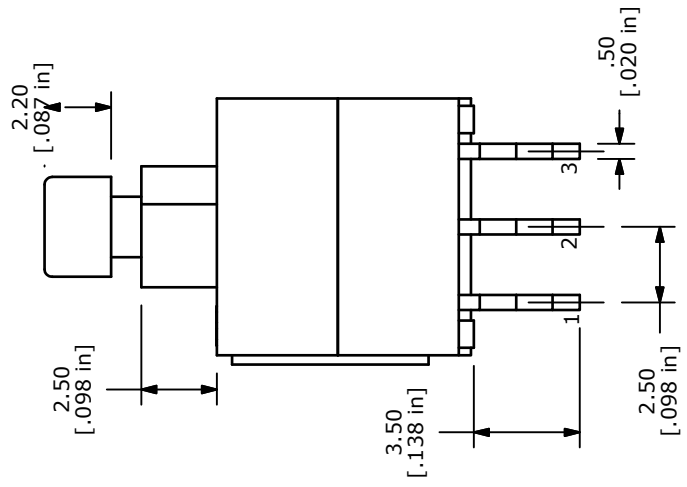
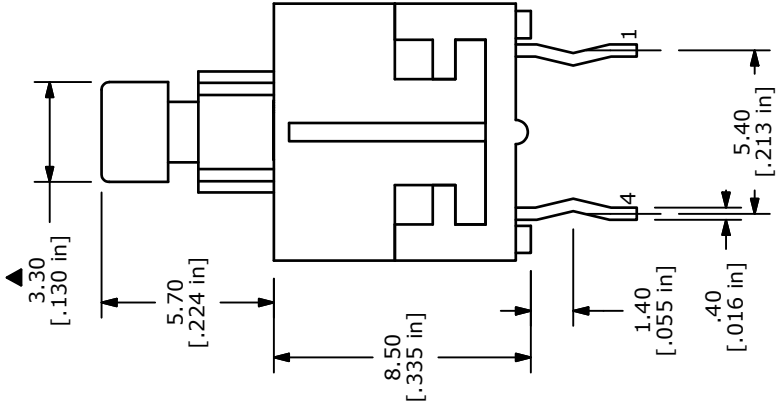


SWITCH FUNCTION	
POS. 1	POS. 2
ON	ON
2-1, 5-4	2-3, 5-6

(ON)=MOMENTARY



CIRCUIT DIAGRAM
BREAK BEFORE MAKE ▲



- NOTES:
1. ALL DIMENSIONS IN MM [INCH]
 2. GENERAL TOLERANCE: X.X=±0.4
X.XX=±0.25
 3. TERMINAL NUMBERS FOR REF. ONLY
 - ▲ 4. RATING: 0.1A @ 30 VDC
 5. TRAVEL TO LOCK: 1.50±0.38mm
 6. FULL TRAVEL: 2.50±0.38mm
 7. OPERATING FORCE: 220± 50gf
 8. ELECTRICAL LIFE: 10,000 CYCLES
 9. ▲ DENOTES CRITICAL PARAMETER
 10. 2002/95/EC (ROHS) COMPLIANT

E-SWITCH®

F	19697	UPDATE CIRCUIT DIAGRAM	2/21/11	BGL
E	16382	REDRAWN IN INVENTOR FORMAT	9/6/06	BO
REV	PCR NO	DESCRIPTION	DATE	BY

TITLE TL2201EEYB

SCALE	4:1	DATE	9/6/2006	DR	BO	DWG	P010880	REV	F
-------	-----	------	----------	----	----	-----	---------	-----	---

THE INFORMATION CONTAINED IN THIS DOCUMENT IS PROPRIETARY TO E-SWITCH AND IS NOT TO BE COPIED OR TRANSFERRED