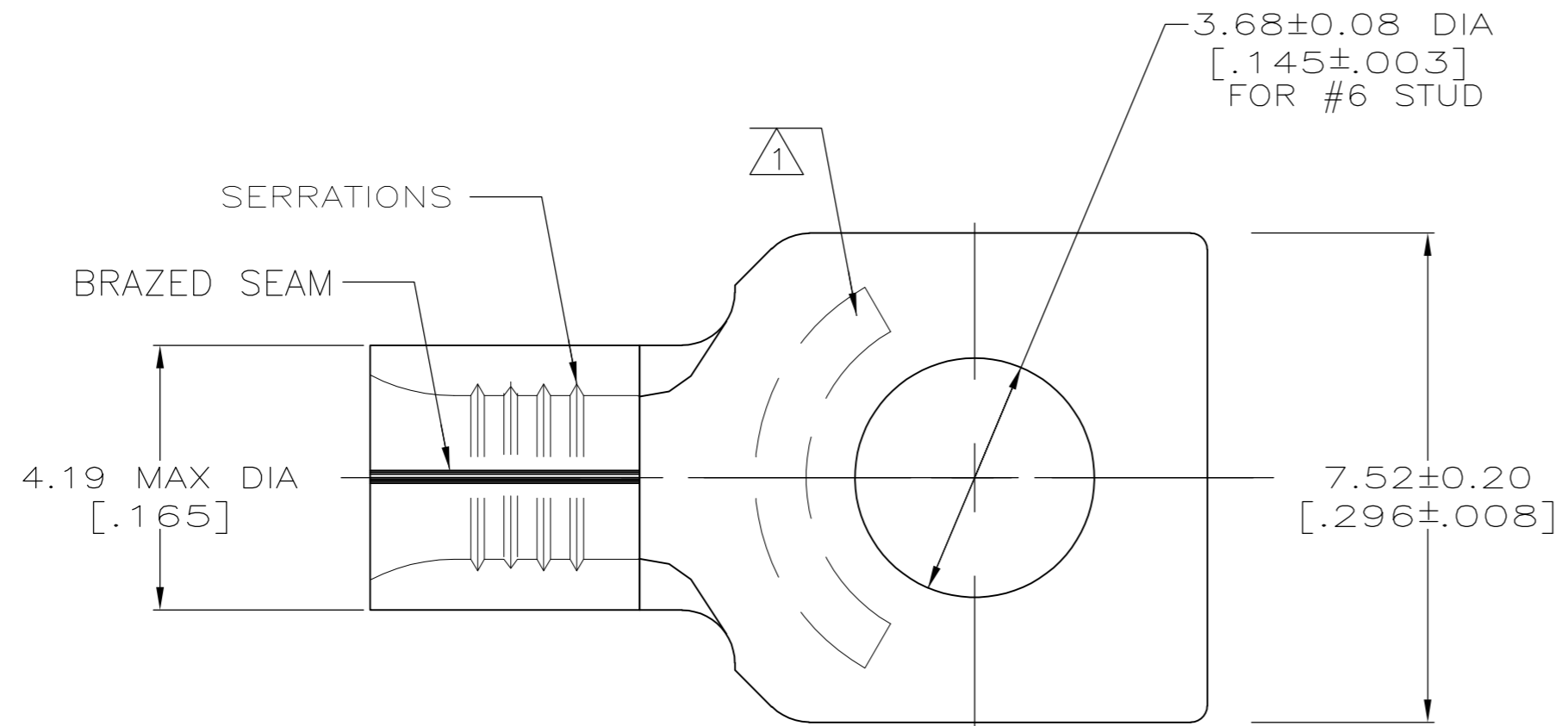


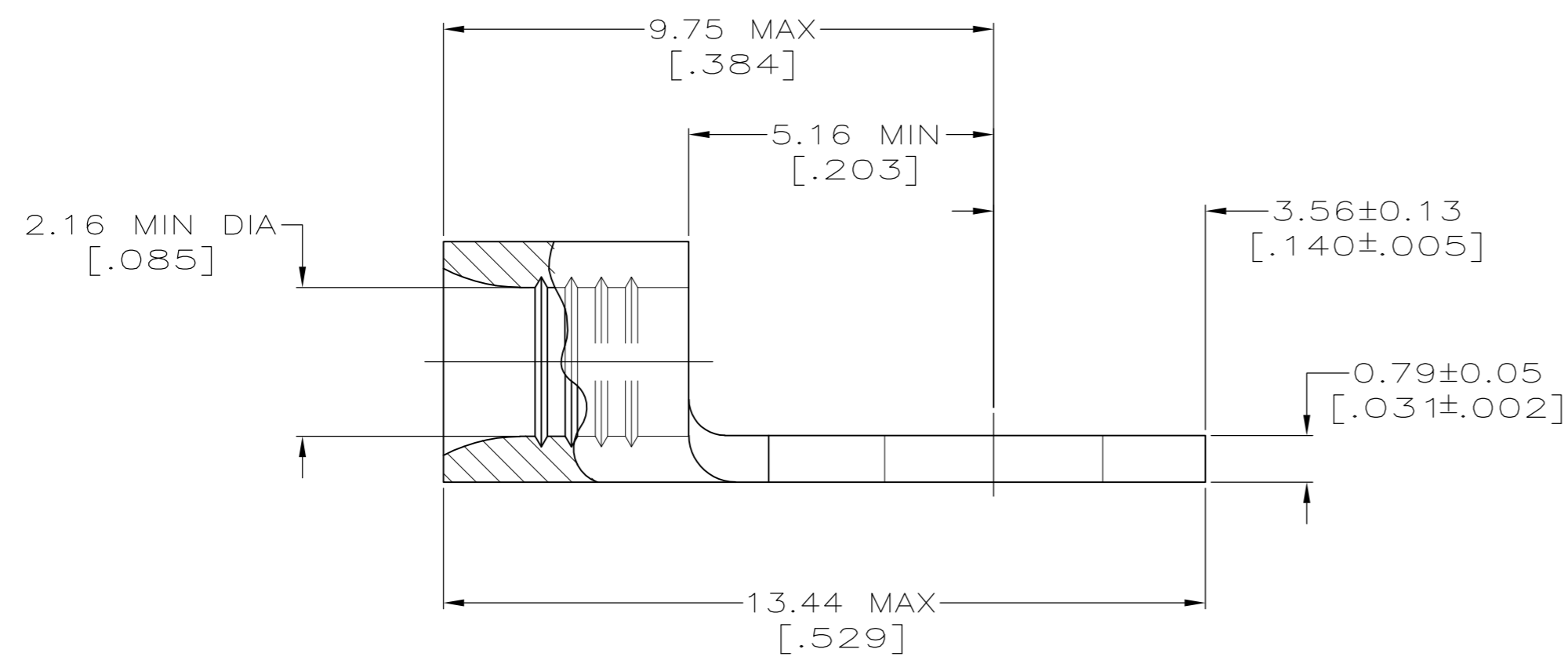
THIS DRAWING IS UNPUBLISHED. RELEASED FOR PUBLICATION  
 © COPYRIGHT BY TYCO ELECTRONICS CORPORATION. ALL INTERNATIONAL RIGHTS RESERVED.

LOC	DIST	REVISIONS			DAP		
		P	LTR	DESCRIPTION	DATE	DWN	APVD
G	14						
		E1		REVISED PER ECR 09-023200	27OCT09	JR	TM



<b>AMP</b> WIRE RANGE	Listed FILE E13288	LR7189 Certified
16-14 AWG SOLID OR STRANDED	16-14 AWG SOLID OR STRANDED	16-14 AWG SOLID OR STRANDED

- 1 STAMP AMP 16-14\*, APPROX AS SHOWN
- 2 COPPER PER ASTM B-152, ANNEALED
- 3 0.00254 [.000100] MIN TIN PER ASTM B-545



5000	ON TAPE	2-34266-1
---	LOOSE PIECE	34266
QTY	PART NUMBER	PART NUMBER

<b>CUSTOMER SERVICE SYSTEMS</b>		MAX RECOMMENDED OPERATING TEMPERATURE: 170°C MAX		THIS DRAWING IS A CONTROLLED DOCUMENT.		DWN jr ruth 10JUL09		Tyco Electronics Corporation Harrisburg, PA 17105-3608	
FOR ADDITIONAL PRODUCT INFORMATION OR COPIES OF DRAWINGS AND TECHNICAL DOCUMENTS	PRODUCT INFORMATION CENTER 1-800-522-6752	VOLTAGE RATING: N/A		DIMENSIONS: MM [INCHES]	TOLERANCES UNLESS OTHERWISE SPECIFIED:	CHK TOM MICHELUTTI 10JUL09	APVD TOM MICHELUTTI 10JUL09	NAME TERMINAL, RECTANGULAR TONGUE, BUDGET	
FOR APPLICATION TOOLING INFORMATION	TOOLING ASSISTANCE CENTER 1-800-722-1111	CIRCULAR MIL AREA: 1.04-2.62mm² [2,050-5,180] SOLID OR STRANDED			0 PLC ± - 1 PLC ± - 2 PLC ± 0.20 [.008] 3 PLC ± - 4 PLC ± - ANGLES ± -	APVD TOM MICHELUTTI 10JUL09	PRODUCT SPEC	SIZE	CAGE CODE
FOR ORDER ENTRY	1-800-526-5142	THIS DRAWING IS A CONTROLLED DOCUMENT FOR AMP INCORPORATED. IT IS SUBJECT TO CHANGE AND THE CONTROLLING ENGINEERING ORGANIZATION SHOULD BE CONTACTED FOR THE LATEST REVISION.		MATERIAL	FINISH	APPLICATION SPEC	WEIGHT	A2	00779
				- 2	- 3	RESTRICTED TO	SCALE	10:1	SHEET
						CUSTOMER DRAWING	1 of 1	REV	E1

34266