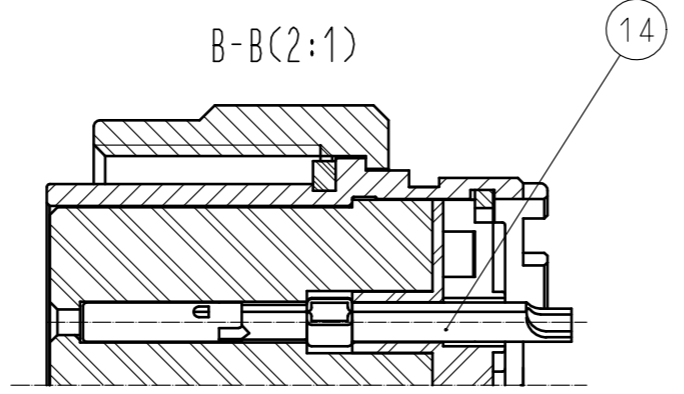
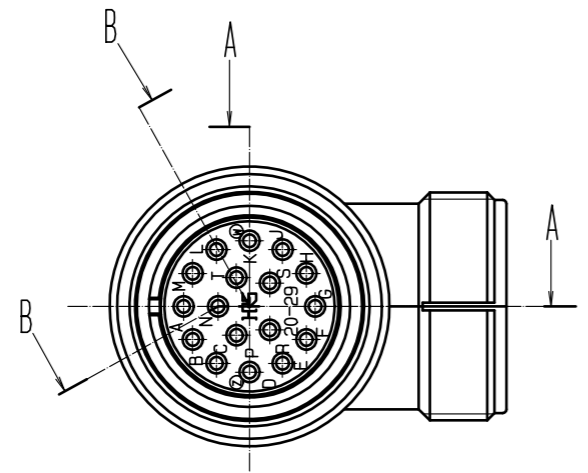
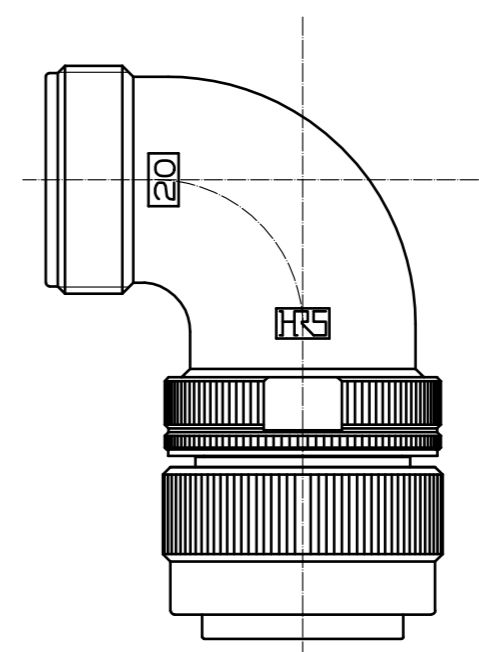
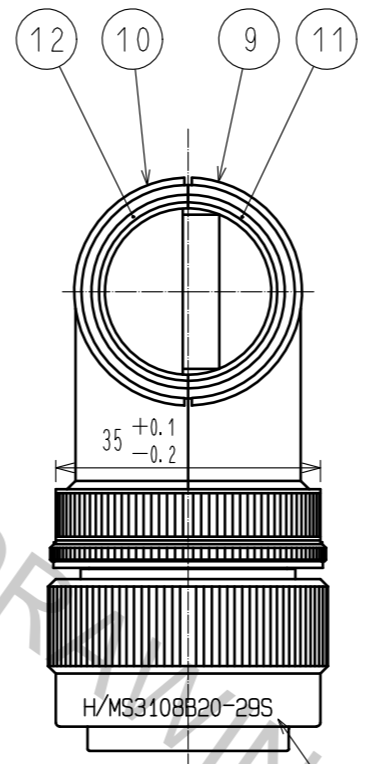
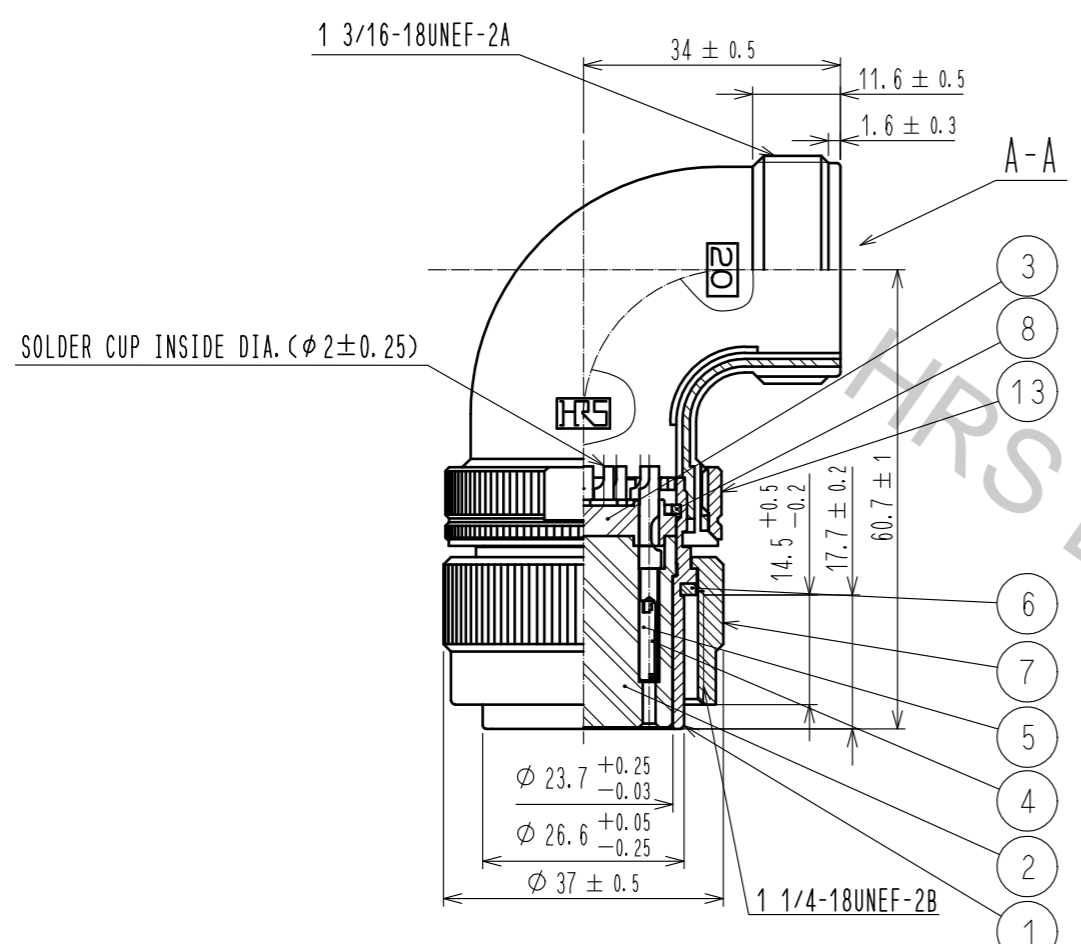


Aug.1.2018 Copyright 2018 HIROSE ELECTRIC CO., LTD. All Rights Reserved.
 In case that the application demands a high level of reliability, such as automotive,
 please contact a company representative for further information.



PART NO. MARKING

NOTE 1 ONE EXAMPLE OF THE ROTATION OF REF. NO. ⑦ AND REF. NO. ⑬ TO REF. NO. ① IS SHOWN.

7	ALUMINUM ALLOY	BLACK CHROMATE TREATMENT (TRIVALENT CHROMIUM)	14	COPPER ALLOY	SILVER PLATING 2 μm min.
6	SILICONE RUBBER	(BLACK)	13	ALUMINUM ALLOY	BLACK CHROMATE TREATMENT (TRIVALENT CHROMIUM)
5	STAINLESS STEEL		12	ACRYLONITRILE BUTADIENE RUBBER	(BLACK)
4	COPPER ALLOY	SILVER PLATING 2 μm min.	11	ACRYLONITRILE BUTADIENE RUBBER	(BLACK)
3	PBT	(BLACK) UL94V-0	10	ZINC ALLOY	BLACK CHROMATE TREATMENT (TRIVALENT CHROMIUM)
2	PBT	(BLACK) UL94V-0	9	ZINC ALLOY	BLACK CHROMATE TREATMENT (TRIVALENT CHROMIUM)
1	ALUMINUM ALLOY	BLACK CHROMATE TREATMENT (TRIVALENT CHROMIUM)	8	PHOSPHOR BRONZE	NICKEL PLATING
NO.	MATERIAL	FINISH . REMARKS	NO.	MATERIAL	FINISH . REMARKS

UNITS mm			SCALE 1 : 1		DESCRIPTION OF REVISIONS	DESIGNED	CHECKED	DATE
		HIROSE ELECTRIC CO., LTD.	APPROVED : HY. KOBAYASHI	18.02.22	DRAWING NO.	EDC-046662-31-00		
			CHECKED : HY. KOBAYASHI	18.02.22	PART NO.	H/MS3108B20-29S(31)		
			DESIGNED : HY. KISHI	18.02.21	CODE NO.	CL120-0711-1-31		
			DRAWN : MK. INOUE	18.02.07				