

NOTES:

1.0 ELECTRICAL SPECIFICATIONS:

FREQUENCY RANGE(GHz)	VSWR(MAX)
DC - 4.0	1.08
4.0 - 8.5	1.20

2.0 MATERIALS:

- 2.2 HOUSING: STAINLESS STEEL PER ASTM-A582, TYPE 303.
- 2.2 CENTER CONTACT: BERYLLIUM COPPER ROD ALLOY C172, PER ASTM-B194.
- 2.3 DIELECTRIC: PTFE FLUOROCARBON PER ASTM-D1457.

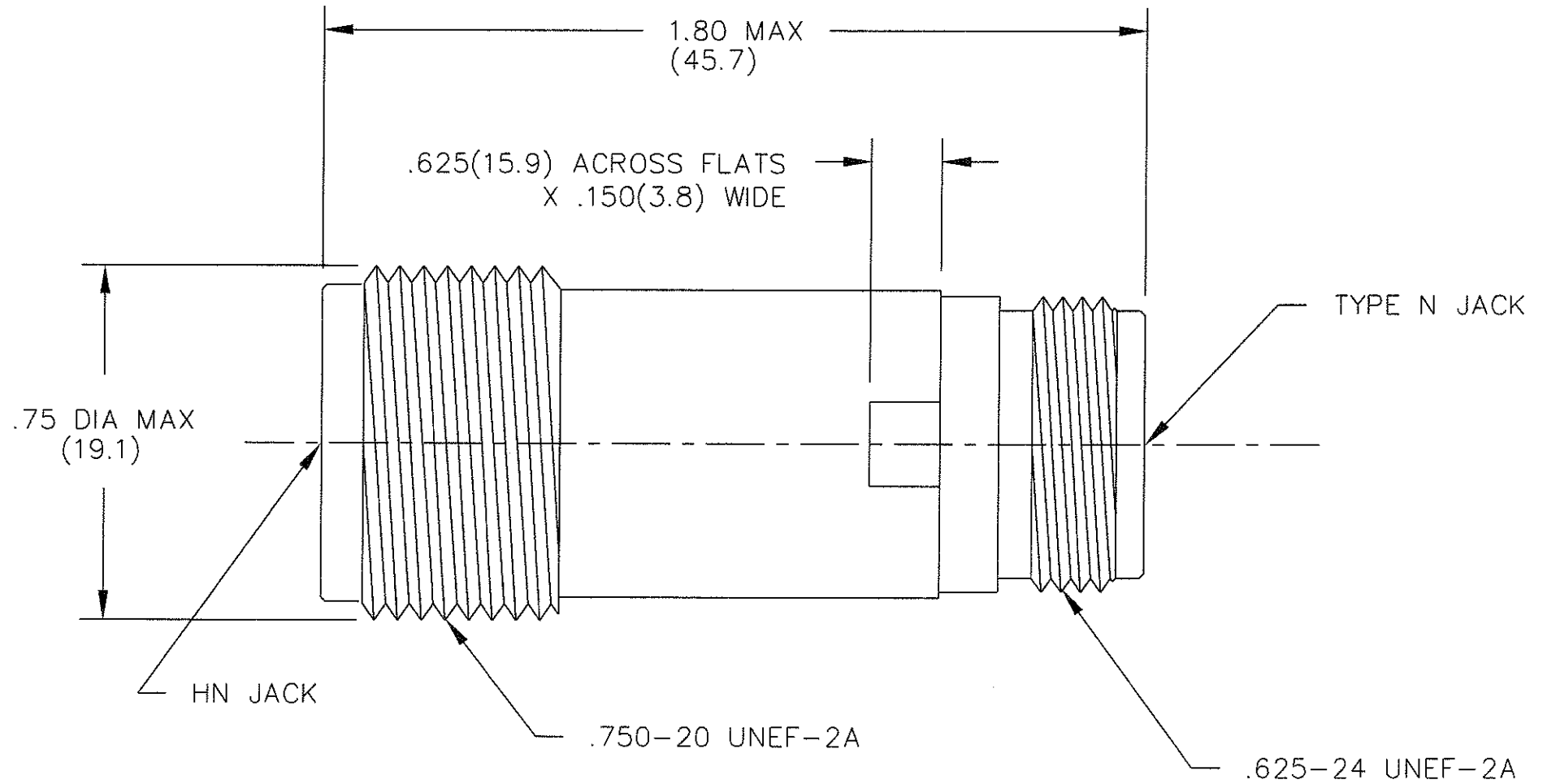
3.0 PLATING

- 3.1 HOUSING: PASSIVATED PER QQ-P-35 AND MIL-F-14072.
- 3.2 CENTER CONTACT: GOLD PER MIL-G-45204 TYPE II, CLASS 2

4.0 DIMENSIONS IN PARENTHESIS ARE MILLIMETERS.

5.0 REF SPEC#: NAVAL AIR # 1324AS306-1.

REF NSN 5935-01-320-2507.



MODEL NUMBER
ADT-2790-HF-NNF-02
REV.
-1

REV.	DESCRIPTION	DATE
-	RELEASED	8/6/91
-1	ADDED TITLEBLOCK	3/17/05

UNLESS OTHERWISE NOTED DIMENSIONS ARE IN INCHES AND TOLERANCES ARE: 3 PLACE DECIMALS ±.005 2 PLACE DECIMALS ±.02 FRACTIONS ±1/64 PARALLELITY: T.I.R. _____ FLATNESS: T.I.R. _____ CONCENTRICITY: T.I.R. _____ ANGLES AND PERPENDICULARITY: ±1'	FSCM NO. 34078	MIDWEST MICROWAVE		
	NOTICE: The information contained in this drawing is proprietary and must not be used without the permission of Midwest Microwave		TITLE ADAPTER HN JACK to TYPE N JACK	
	DRAWN/DATE D.SIEWERT 7/10/91	ENG./DATE H.JACQUES 8/2/91	DRAWING NUMBER ADT-2790-HF-NNF-02	
	CHECKED/DATE A.OSGA 8/1/91	APPROVED/DATE T.GORDON 8/2/91	SCALE: 3=1	SHEET 1 of 1