

## Sensor/Actuator cable - SAC-3P- 6,0-400/MINFR - 1532124

Please be informed that the data shown in this PDF Document is generated from our Online Catalog. Please find the complete data in the user's documentation. Our General Terms of Use for Downloads are valid (<http://download.phoenixcontact.com>)




Sensor/Actuator cable, 3-position, PVC, Yellow RAL 1021, Free cable end, on Socket angled 7/8"-16UNF, A-coded, Cable length: 6 m

### Product Features

- ✓ Easy and safe: 100% electrically tested plug-in components
- ✓ Robust plug-in connectors in size 7/8"-16UNF
- ✓ High-performance: plug-in connectors and cables with a large conductor cross section for power supply



### Key commercial data

Packing unit	1 PCE
Minimum order quantity	50 PCE
Catalog page	Page 102 (PC-2007)
GTIN	 4 046356 025188
Custom tariff number	85444290
Country of origin	GERMANY

### Technical data

#### General data

Rated current at 40°C	10 A
Rated voltage	300 V
Number of positions	3
Volume resistance	≤ 5 mΩ
Insulation resistance	≥ 10 MΩ
Length of cable	6 m
Ambient temperature (operation)	-25 °C ... 80 °C (Plug / socket)

#### General characteristics

## Sensor/Actuator cable - SAC-3P- 6,0-400/MINFR - 1532124

### Technical data

#### General characteristics

Coding	A - standard
Surge voltage category	II
Pollution degree	2
Degree of protection	IP65/IP67/IP68
Insertion/withdrawal cycles	> 500
Contact material	CuSn
Contact surface material	Au
Contact carrier material	PUR
Material of grip body	PUR
Material, knurls	Nickel-plated brass
Status display	No
Test voltage	2500 V

#### Conductor data

Cable type	PVC yellow IEC color code
Conductor cross section	0.75 mm <sup>2</sup>
AWG signal line	18
Conductor structure signal line	41x 0.16 mm
Wire colors	brown, blue, black
External sheath, color	Yellow RAL 1021
External cable diameter	5.80 mm
Outer sheath, material	PVC
Ambient temperature (operation)	-10 °C ... 105 °C (cable, fixed installation)
Ambient temperature (operation)	-5 °C ... 105 °C (cable, flexible installation)

### Classifications

#### ETIM

ETIM 2.0	EC000830
ETIM 3.0	EC001855
ETIM 4.0	EC001855
ETIM 5.0	EC001855

#### UNSPSC

UNSPSC 11	31251501
UNSPSC 12.01	31251501
UNSPSC 13.2	31251501
UNSPSC 6.01	31251501

# Sensor/Actuator cable - SAC-3P- 6,0-400/MINFR - 1532124

## Classifications

### UNSPSC

UNSPSC 7.0901	31251501
---------------	----------

### eCl@ss

eCl@ss 4.0	27060306
eCl@ss 4.1	27060306
eCl@ss 5.0	27061801
eCl@ss 5.1	27061801
eCl@ss 6.0	27061801
eCl@ss 7.0	27061801

## Approvals

### Approvals


Approvals


UL Listed / cUL Listed / cULus Listed

Ex Approvals

Approvals submitted

### Approval details

UL Listed 	
mm <sup>2</sup> /AWG/kcmil	18
Nominal current I <sub>N</sub>	10 A
Nominal voltage U <sub>N</sub>	300 V

cUL Listed 	
mm <sup>2</sup> /AWG/kcmil	18

## Sensor/Actuator cable - SAC-3P- 6,0-400/MINFR - 1532124

### Approvals

Nominal current I <sub>N</sub>	10 A
Nominal voltage U <sub>N</sub>	300 V



### Accessories

#### Accessories

#### Marking

Insert label - PABA WH/15 - 1013151



Insert label, Strip, white, Unlabeled, Can be labeled with: Plotter, Mounting type: Thread on, Cable diameter: 0.6-50 mm, Lettering field: 15 x 4 mm

Insert label - PABA YE/15 - 1013698



Insert label, Strip, yellow, Unlabeled, Can be labeled with: Plotter, Mounting type: Thread on, Cable diameter: 0.6-50 mm, Lettering field: 15 x 4 mm

Insert label - PABA RD/15 - 1013944



Insert label, Strip, red, Unlabeled, Can be labeled with: Plotter, Mounting type: Thread on, Cable diameter: 0.6-50 mm, Lettering field: 15 x 4 mm

## Sensor/Actuator cable - SAC-3P- 6,0-400/MINFR - 1532124

### Accessories

Conductor marker carrier - PATG 2/23 - 1013850



Conductor marker carrier, transparent, Unlabeled, Mounting type: Slide on, Cable diameter: 2-4 mm, Lettering field: 4 x 23 mm

---

Conductor marker carrier - PATG 3/23 - 1013863



Conductor marker carrier, transparent, Unlabeled, Mounting type: Slide on, Cable diameter: 4-7 mm, Lettering field: 4 x 23 mm

---

Conductor marker carrier - PATG 4/23 - 0808011



Conductor marker carrier, transparent, Unlabeled, Mounting type: Slide on, Cable diameter: 6-10 mm, Lettering field: 4 x 23 mm

---

Marker pen - B-STIFT - 1051993



Marker pen, for manual labeling of unprinted Zack strips, smear-proof and waterproof, line thickness 0.5 mm

---

### Protection and sealing elements

Screw plug - PROT-MINMS-PA-CHAIN - 1430925



7/8" sealing cap made of plastic with fixing band, for sensor cables, for 7/8" sockets

---

## Sensor/Actuator cable - SAC-3P- 6,0-400/MINFR - 1532124

### Accessories

#### Tools

Cable-cutting tool - CUTFOX-S VDE - 1212207



Diagonal cutter for copper and aluminum conductors, VDE-tested

---

Stripping tool - WIREFOX SAC - 1212623



Stripping pliers, for halogen-free sensor/actuator cables (SAC cables), with PUR and PVC insulation, from Ø of 4.4 to 7 mm, any stripping length

---

Stripping tool - WIREFOX 10 - 1212150



Stripping tool, for cables and conductors from 0.02 - 10 mm<sup>2</sup>, self-adjusting, stripping length of up to 18 mm, cutting capacity of up to 10 mm<sup>2</sup> stranded/1.5 mm<sup>2</sup> solid, replaceable stripping blade

---

Torque screwdriver - TSD 08 SAC - 1212597



Torque screw driver with preset torque of 0.8 Nm, with 4 mm hexagon for accommodating SAC bits, two-component handle with non-slip grip

---

Torque screwdriver - TSD-M 1,2NM - 1212224



Torque screw driver, accuracy as per EN ISO 6789 standard, adjustable from 0.3 - 1.2 Nm

---

# Sensor/Actuator cable - SAC-3P- 6,0-400/MINFR - 1532124

## Accessories

Adapter insert - TSD-M SAC-BIT ADAPTER - 1212600



Adapter bit for TSD-M...torque tools, E6.3-1/4" drive with 4 mm hexagon to accommodate SAC bits

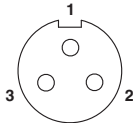
Adapter - SAC BIT MIN-D25 - 1212512



SAC nut, for assembling 7/8" connectors, with 4 mm hexagonal drive

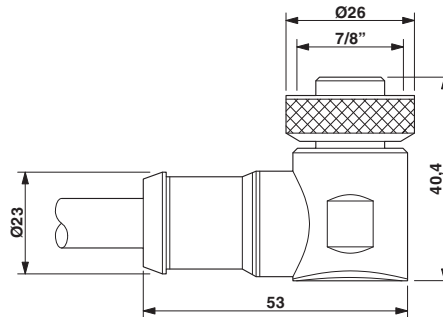
## Drawings

Schematic diagram



Pin assignment, socket, 7/8"-16UNF, 3-pos., view of female side

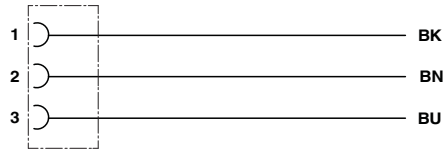
Dimensioned drawing



7/8"-16UNF socket, angled

## Sensor/Actuator cable - SAC-3P- 6,0-400/MINFR - 1532124

Circuit diagram



Contact assignment of 7/8" plugs/sockets, cable type 400

---

© Phoenix Contact 2013 - all rights reserved  
<http://www.phoenixcontact.com>