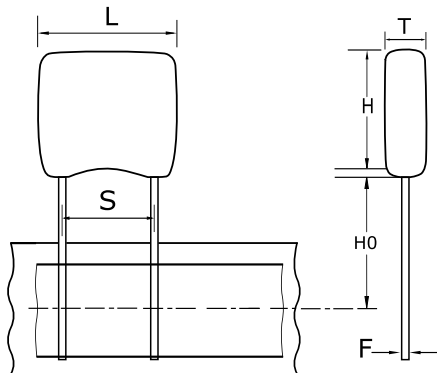


KEMET Part Number: C330C103JBG5TA7303
(C330C103JBG5TATR)

GoldMax 300 Comm C0G HV, Ceramic, 0.01 uF, 5%, 630 VDC, C0G, GoldMax, Commercial Standard, Lead Spacing = 5.08mm



Dimensions

| | |
|-----------|----------------------|
| L | 7.62mm MAX |
| H | 9.14mm MAX |
| T | 5.08mm MAX |
| S | 5.08mm +/-0.78mm |
| H0 | 18mm MIN |
| F | 0.51mm +0.1/-0.025mm |

Packaging Specifications

| | |
|----------------------------|------------|
| Packaging: | T&R, 305mm |
| Packaging Quantity: | 1500 |

General Information

| | |
|----------------------|------------------------------|
| Supplier: | KEMET |
| Series: | GoldMax 300 Comm C0G HV |
| Style: | Radial |
| Description: | GoldMax, Commercial Standard |
| RoHS: | Yes |
| Termination: | Tin |
| Failure Rate: | N/A |
| Halogen Free: | Yes |

Specifications

| | |
|---|---------------------|
| Capacitance: | 0.01 uF |
| Capacitance Tolerance: | 5% |
| Voltage DC: | 630 VDC |
| Dielectric Withstanding Voltage: | 945 V |
| Temperature Range: | -55/+125C |
| Temperature Coefficient: | C0G |
| Dissipation Factor: | 0.10% 25C |
| Aging Rate: | 0% Loss/Decade Hour |
| Insulation Resistance: | 100 GOhms |