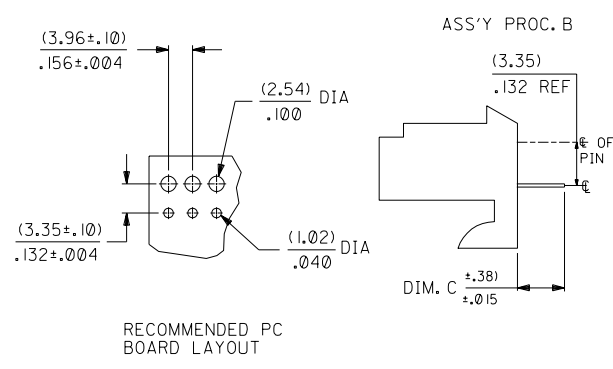


- NOTES:
1. TERMINALS MUST CONFORM TO SOLDERABILITY SPEC. ES-152.
 2. PARTS CONFORM TO PRODUCT SPEC 08-50.
 3. HOUSING MATERIAL: NYLON, UL LISTED
 4. "*" PRECEDING ENG. NO. IN CHARTS DESIGNATES STANDARD PRODUCT.
 5. TERMINAL TAIL CENTERLINES ARE TO BE WITHIN (.30)/.012 OF EACH OTHER.
 6. FOR KINKED PIN INFORMATION SEE SMES-42329-***.



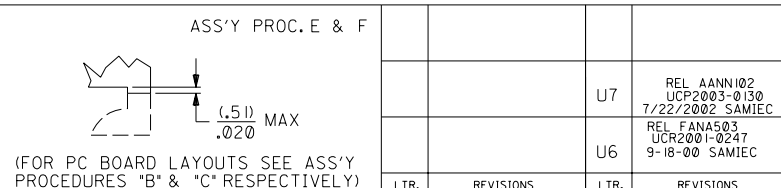
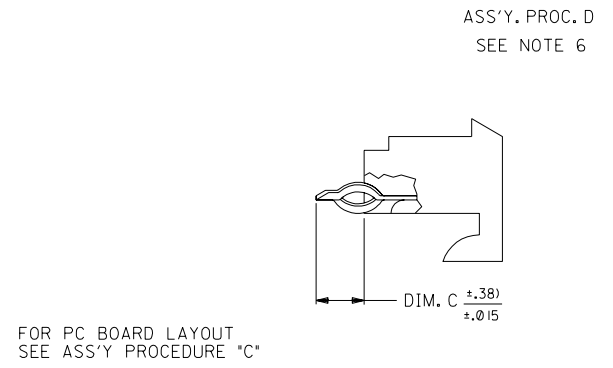
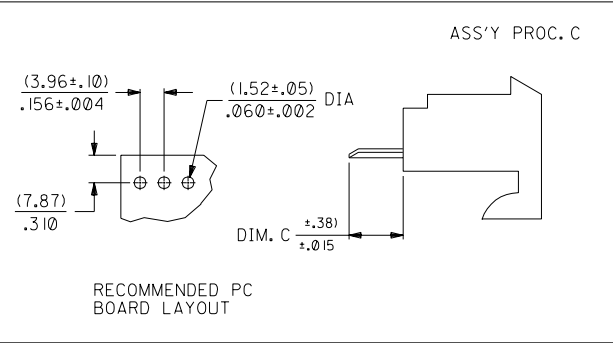
A - 2145 - * * N * * * - *
 VOID LOCATION
 ASS'Y. PROCEDURE
 A=RIGHT ANGLE
 B=BOTTOM ENTRY
 C=TOP ENTRY
 D=TOP ENTRY WITH KINKED TAIL
 E=BOTTOM ENTRY WITH HOOKS CUT OFF
 F=TOP ENTRY WITH HOOKS CUT OFF
 PACKAGING CODE
 BLANK=BULK PACK
 A=TUBE PACK PER PK-40873-0026

PLATING
 (102) 200 M.I. MIN TIN OVER 100 M.I. MIN COPPER
 (587) SELECT GOLD 15 M.I. MIN
 SELECT TIN-LEAD 75 M.I. MIN. OVER
 50 M.I. MIN NICKEL

- HOUSING NO.
- A=2145-N-AN 94V-2 NATURAL WITH RAMPES AND HOOKS
 - B=2145-NBK-AN 94V-2 DYED BLACK WITH RAMPES AND HOOKS
 - C=2145-A-AN 94V-0 NATURAL WITH RAMPES AND HOOKS
 - G=2145-N-CN 94V-2 NATURAL WITH HOOKS ONLY
 - H=2145-NGN-AN 94V-2 DYED GREEN WITH RAMPES AND HOOKS
 - J=2145-NYW-AN 94V-2 DYED YELLOW WITH RAMPES AND HOOKS
 - K=2145-NRD-AN 94V-2 DYED RED WITH RAMPES AND HOOKS
 - L=2145-N-AN-5 94V-2 NATURAL W/ RAMPES AND HOOKS MOLDED IN VOIDS

- TERMINAL NO.
- A=2144-AA-AIAA(+)B (BRASS)
 - B=2144-BA-AIAA(+)B (PHOS BRONZE)
 - C=2144-AA-A2AA(+)B (BRASS)
 - D=2144-BA-A2AA(+)B (PHOS BRONZE)
 - E=6298-A(+) (PHOS BRONZE) LOW FORCE
 - H=2188-(*) (BRASS)
 - J=2188-(*) (BRASS)
 - K=4244-(*) (BRASS)
 - L=6298-(*) (PHOS BRONZE)
 - M=2144-BA-BIAA(+)B (PHOS BRONZE) LOW FORCE
 - N=4244-A(+) (PHOS BRONZE)

NO. OF CKTS.	DIM. A	DIM. B	KINK PIN LOCATION (ASSY. PROC. D ONLY)
2	(3.96 ± .13) .156 ± .005	(7.82) .308	N/A
3	(7.92 ± .13) .312 ± .005	(11.79) .464	N/A
4	(11.89 ± .13) .468 ± .005	(15.75) .620	1, 2 3, 4
5	(15.85 ± .13) .624 ± .005	(19.71) .776	2, 3 4, 5
6	(19.81 ± .13) .780 ± .005	(23.67) .932	2, 3 4, 5
7	(23.77 ± .25) .936 ± .010	(27.64) 1.088	2, 3 5, 6
8	(27.74 ± .25) 1.092 ± .010	(31.60) 1.244	2, 3 6, 7
9	(31.70 ± .25) 1.248 ± .010	(35.56) 1.400	2, 3 7, 8
10	(35.66 ± .25) 1.404 ± .010	(39.52) 1.556	2, 3 8, 9
11	(39.62 ± .25) 1.560 ± .010	(43.48) 1.712	2, 3 9, 10
12	(43.59 ± .25) 1.716 ± .010	(47.45) 1.868	2, 3 10, 11
13	(47.55 ± .25) 1.872 ± .010	(51.41) 2.024	2, 3 11, 12
14	(51.51 ± .36) 2.028 ± .014	(55.37) 2.180	2, 3 12, 13
15	(55.47 ± .36) 2.184 ± .014	(59.33) 2.336	2, 3 13, 14
16	(59.44 ± .36) 2.340 ± .014	(63.30) 2.492	2, 3 14, 15



DIMENSIONS SHOWN (METRIC) INCH UNLESS OTHERWISE SPECIFIED TOLERANCES: ANGULAR ± 1/2°

INCH	METRIC
3 PLACE ± .010	---
2 PLACE ± .014	± 0.25
1 PLACE ---	± 0.36

DRAFT WHERE APPLICABLE MUST REMAIN WITHIN DIMENSIONS

DRWG. PEREZ-ARGUETA BY LENZ SCALE

CHK'D. PATEL

FILE NAME S2145X1

TITLE HOUSING ASS'Y, P.C. TAIL (3.96)/.156 C 2145 SERIES DRAWING

MOLEX INCORPORATED U.S.A. 1 OF 20 7 / 9 / 87

SEE CHART SDA-2145

THIS DRAWING CONTAINS INFORMATION THAT IS PROPRIETARY TO MOLEX INC. AND SHOULD NOT BE USED WITHOUT WRITTEN PERMISSION.

2145

20	U
19	T
18	U7
17	M
16	T6
15	T
14	T2
13	U6
12	U5
11	R3
10	U
8	T
7	U3
6	U
4	U
3	U
2	U
1	U7

MFG. SH. REV.

A-2145-BANL(P913)-*			A-2145-BANL(565)-*			A-2145-BBNH(122)-*			A-2145-CANA(102)-*		
PART NO.	ENG. NO(SUFFIX ONLY)	VOID CKT.	PART NO.	ENG. NO(SUFFIX ONLY)	VOID CKT.	PART NO.	ENG. NO(SUFFIX ONLY)	VOID CKT.	PART NO.	ENG. NO(SUFFIX ONLY)	VOID CKT.
09-52-2028	-BA2L(P913)			-BA2L(565)			-BB2H(122)		09-52-1023	-CA2A(102)	
09-52-2038	-BA3L(P913)			-BA3L(565)			-BB3H(122)		09-52-1033	-CA3A(102)	
09-52-2048	-BA4L(P913)		09-62-6043	-BA4L(565)		09-46-3042	-BB4H(122)		09-52-1043	-CA4A(102)	
09-52-2058	-BA5L(P913)			-BA5L(565)			-BB5H(122)		09-52-1053	-CA5A(102)	
09-52-2068	-BA6L(P913)			-BA6L(565)			-BB6H(122)		09-52-1063	-CA6A(102)	
09-52-2078	-BA7L(P913)			-BA7L(565)			-BB7H(122)		09-52-1073	-CA7A(102)	
09-52-2088	-BA8L(P913)			-BA8L(565)			-BB8H(122)		09-52-1083	-CA8A(102)	
09-52-2098	-BA9L(P913)			-BA9L(565)			-BB9H(122)		09-52-1093	-CA9A(102)	
09-52-2108	-BA10L(P913)		09-62-6103	-BA10L(565)			-BB10H(122)		09-52-1103	-CA10A(102)	
09-52-2118	-BA11L(P913)			-BA11L(565)			-BB11H(122)		09-52-1113	-CA11A(102)	
09-52-2128	-BA12L(P913)			-BA12L(565)			-BB12H(122)		09-52-1123	-CA12A(102)	
09-52-2138	-BA13L(P913)			-BA13L(565)			-BB13H(122)		09-52-1133	-CA13A(102)	
09-52-2148	-BA14L(P913)			-BA14L(565)			-BB14H(122)		09-52-1143	-CA14A(102)	
09-52-2158	-BA15L(P913)		09-62-6153	-BA15L(565)			-BB15H(122)		09-52-1153	-CA15A(102)	
	-BA16L(P913)			-BA16L(565)			-BB16H(122)		09-52-1163	-CA16A(102)	

COLUMN NO. 1	CON'T. IN COLUMN NO.	SHEET NO.	COLUMN NO. 2	CON'T. IN COLUMN NO.	SHEET NO.	COLUMN NO. 3	CON'T. IN COLUMN NO.	SHEET NO.	COLUMN NO. 4	CON'T. IN COLUMN NO.	SHEET NO.
						SEE SHEET I		SEE SHEET I			
						SEE SHEET I		SEE SHEET I			
						SEE SHEET I	U	SEE SHEET I			
						SEE SHEET I	T4	SEE SHEET I			
						SEE SHEET I	M6	SEE SHEET I			
						SEE SHEET I	D8	SEE SHEET I			
						SEE SHEET I	A	SEE SHEET I			
LTR.	REVISIONS		LTR.	REVISIONS							

DIMENSIONS SHOWN (METRIC) INCH
UNLESS OTHERWISE SPECIFIED
TOLERANCES ANGULAR ± 1/2°

	INCH	METRIC
3 PLACE	±	±
2 PLACE	±	±
1 PLACE	±	±

DRAFT WHERE APPLICABLE MUST
REMAIN WITHIN DIMENSIONS

DRWG. PEREZ - EN'D. PATEL
BY ARGUETA
APP'D. LENZ SCALE :

▽ = 0 ▽ = 0 **REVISE ONLY ON CAD SYSTEM**

TITLE
HOUSING ASS'Y, P.C. TAIL
(3,96)/.156 C
2145 SERIES DRAWING

MOLEX INCORPORATED SHEET NO. 10 DATE 7 / 9 / 87
LISLE, ILL. 60532 U.S.A.

SEE CHART DRWG. NO. **SDA-2145**

FILE NAME: S2145X10 THIS DRAWING CONTAINS INFORMATION THAT IS PROPRIETARY TO MOLEX INC. AND SHOULD NOT BE USED WITHOUT WRITTEN PERMISSION. KK IC

2145