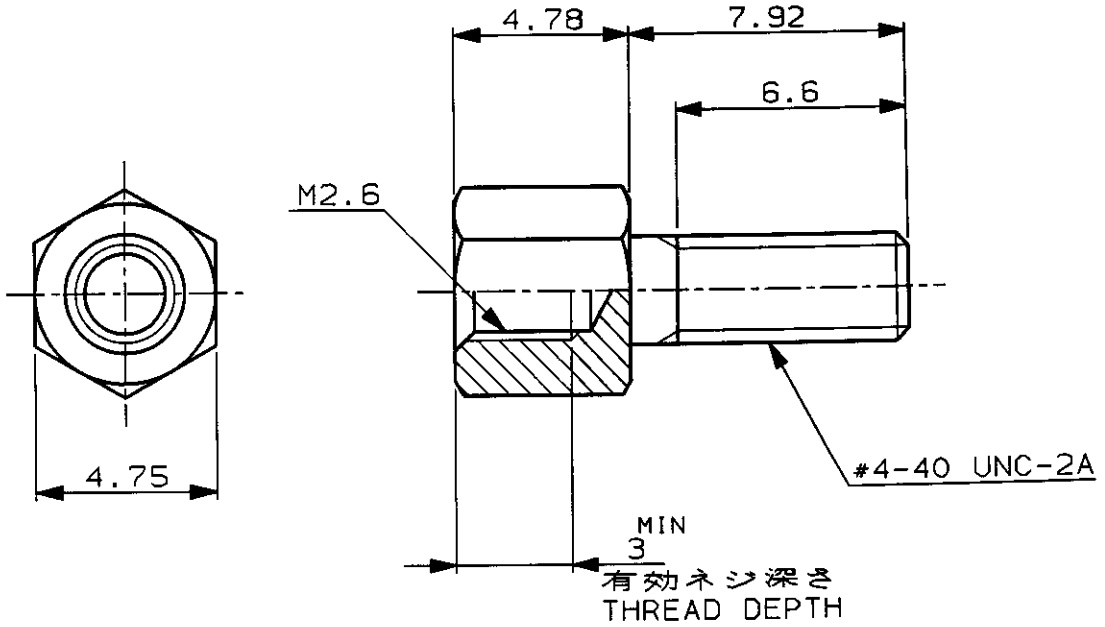


LOC	DIST	REVISIONS						
		P	LTR	DESCRIPTION	ECN	DATE	DWN	APVD
J	.		0	RELEASED	FJ00-1651-99	28 Sep 99	T.K	J.M.



-1 : AS SHOWN

THIS DRAWING IS UNPUBLISHED. BY AMP INCORPORATED. ALL RIGHTS RESERVED. COPYRIGHT 19

DIMENSIONS: 単位 概 mm	DWN T. KAWAMAE 28/SEP/99	WIRE RANGE 包含電線断面積	INSULATION DIA 被覆外径
	CHK H. Muramatsu 28 Sep 99	MATERIAL 材料 CARBON STEEL	FINISH 仕上 Ni PL. OVER Cu PL.
TOLERANCES UNLESS OTHERWISE SPECIFIED:  一般公差 10 μm : ±0.2 30 μm : ±0.25 100 μm : ±0.3 ANGLE : ±3°	APVD H. Muramatsu 28 Sep 99	<b>AMP</b> 日美エー・エム・ゼー株式会社 Kawasaki, Japan	
	PRODUCT SPEC 製品規格 (108-5288)	NAME 名称 <b>SCREWLOCK FEMALE</b>	
	APPLICATION SPEC 取付適用規格	SIZE A4	CAGE CODE 00779
	WEIGHT	DRAWING NO C-174327	
CUSTOMER DRAWING		RESTRICTED TO	
		SCALE 尺度 4:1	SHEET 1 OF 1 REV 0